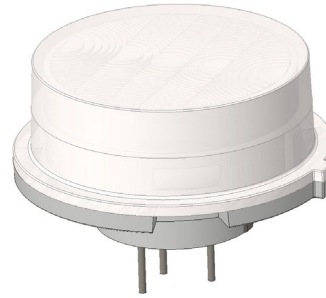


OVERVIEW

Motion detection lens for security and lighting applications. Horizontal curtain (HC) beam pattern with 100deg FOV and up to 8m range. Ideal for portable security devices where pet immunity is required. Lens can be mounted flush with product housing which is ideal for devices where aesthetic appearance is important. Pyro not included.

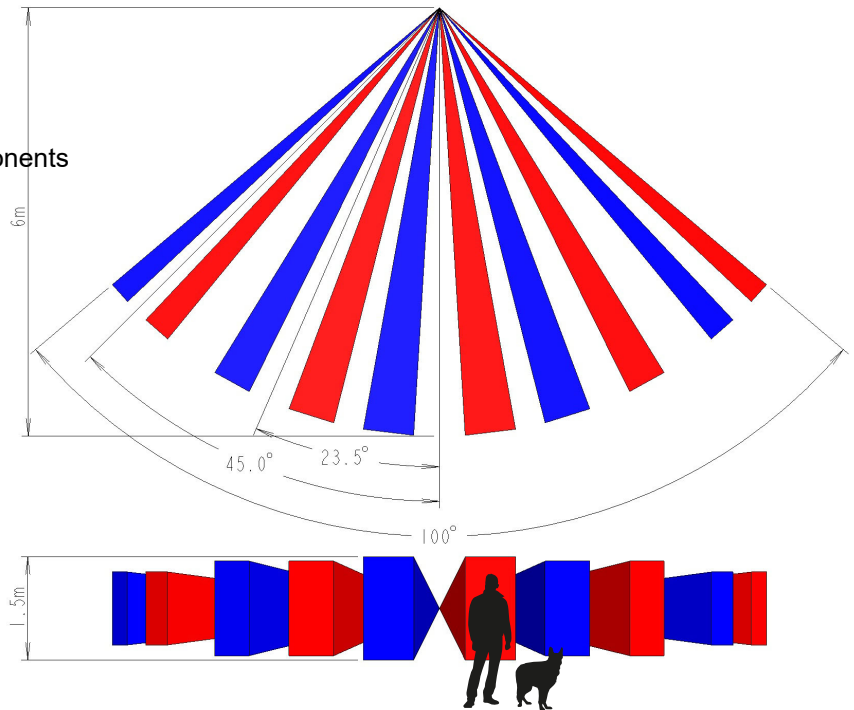


Dome Cap Lens HC

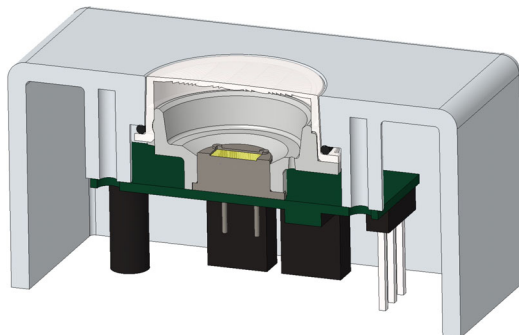
FEATURES

- Designed to press onto standard T05 pyro
- Automatically sets correct focal distance
- Fresnel lenses fo maximise IR collection
- Designed using optical ray-tracing software
- Compact shape with clearance for pcb components
- Available in natural, white and black colours

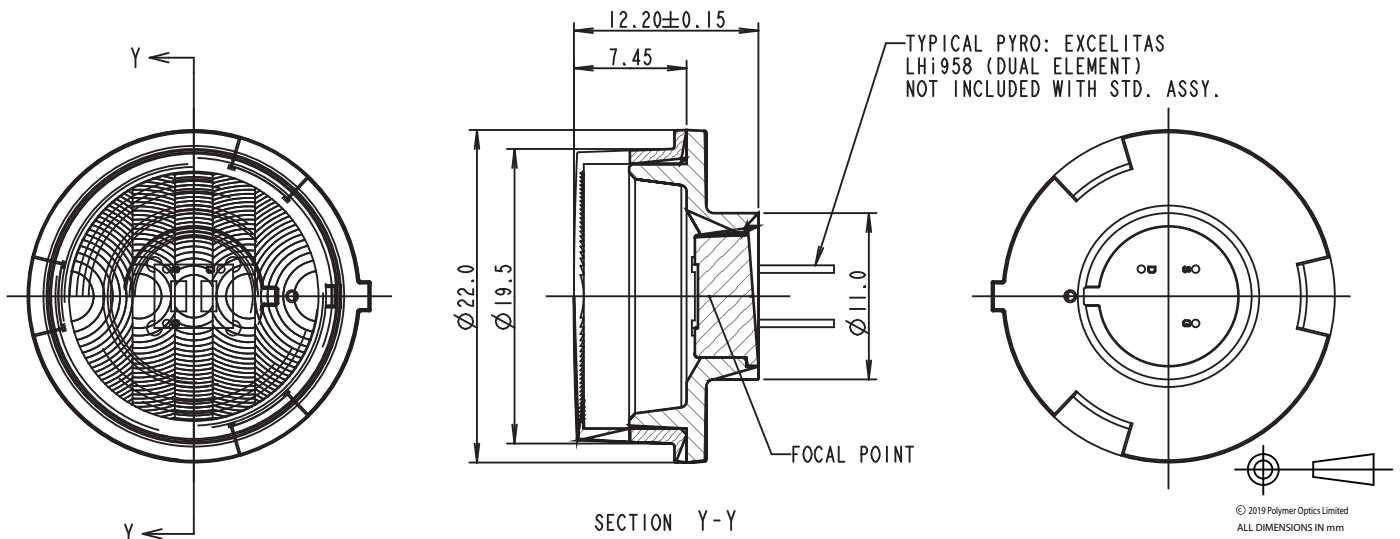
Part Number	Drawing	Colour
711-N	A3-10711	Natural
711-W	A3-10711	White
711-B	A3-10711	Black



Theoretical zone plot. Optimum range is 6m.
Maximum Range 8m depending on electronic gain



Typical mounting method: 20x1mm o-ring stretched around lens flange. PCB screwed to housing via pillars. Orientation tab sits in channel next to fixing pillar.



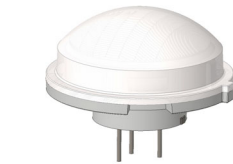
© 2019 Polymer Optics Limited
ALL DIMENSIONS IN mm

FEATURES

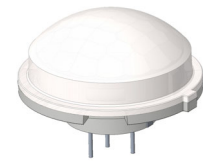
- Designed to press onto standard T05 pyro
- Horizontal curtain and circular beam patterns
- Choice of profile shape to suit product styling
- Designed using optical ray-tracing software
- Compact shape with clearance for pcb components
- Available in natural, white and black colours

APPLICATIONS

- Office and household lighting control
- Motion detection for security applications
- Individual luminaire switching
- Fan and air conditioning control
- Control panel illumination for appliances
- Vending machines, ATM's, streetlights



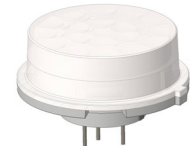
Dome Cap Lens HC



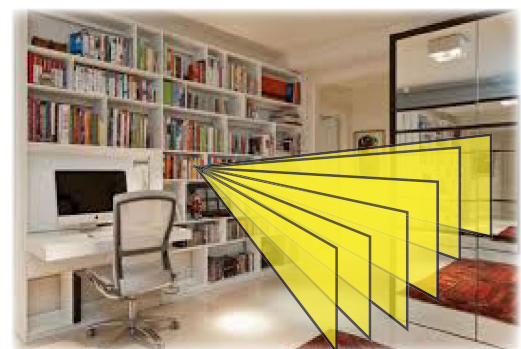
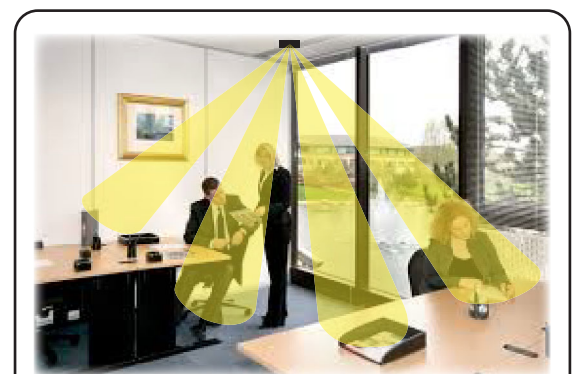
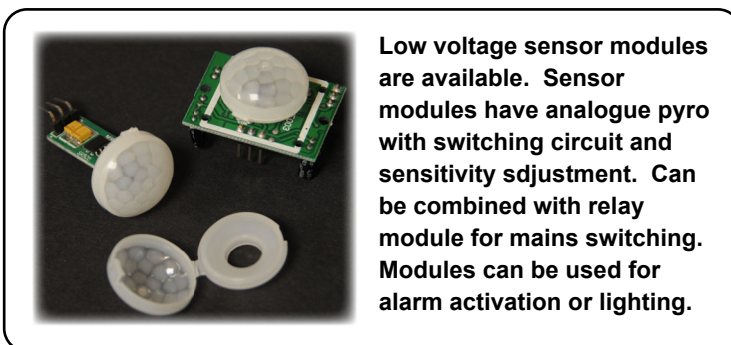
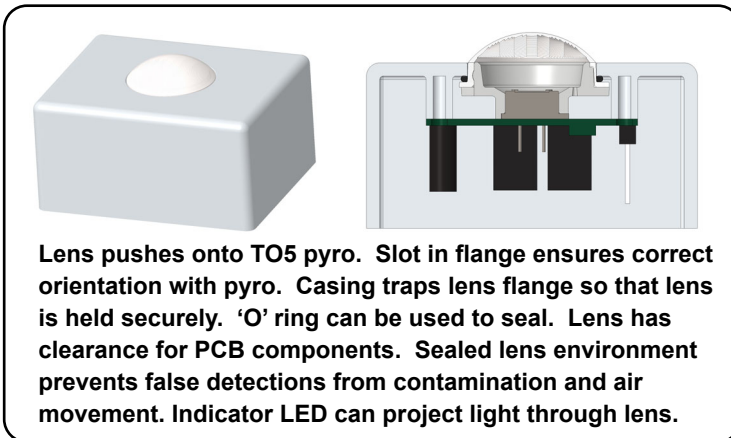
Dome Cap Lens 360



Flat Cap Lens HC



Flat Cap Lens 360



Small and compact, these lenses are suitable for numerous security and lighting applications, in the office, or around the home. Available in two beam pattern versions, horizontal curtain (HC) and 360deg ceiling, there is a lens suitable for every application.