

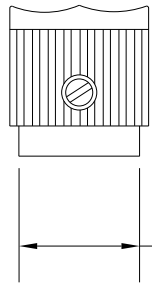
PART NAME: KNOB SCALE: 1:1 DATE: 1/23/85 DR. BY HD

THIS DRAWING IS THE PROPERTY OF DAVIES MOLDING COMPANY, IS SUBMITTED SOLELY AS A DESIGN OR ENGINEERING PROJECT. WE ACCEPT NO RESPONSIBILITY WHATSOEVER FOR THE PRACTICAL APPLICATION OF THE PIECES MADE TO THIS DESIGN.

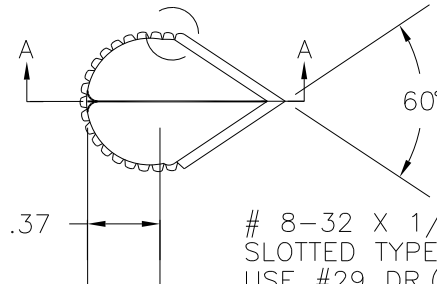


DESIGNERS & MANUFACTURERS OF KNOBS, HANDLES, CASES & CUSTOM PLASTIC COMPONENTS

P/N 8005
 BASE PART 8005-01
 SET SCREW I0357

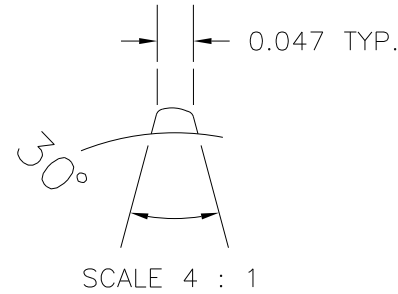


0.63 DIA.



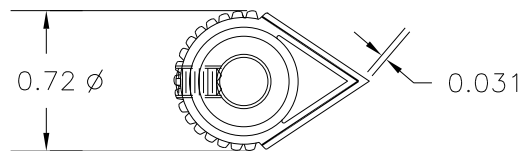
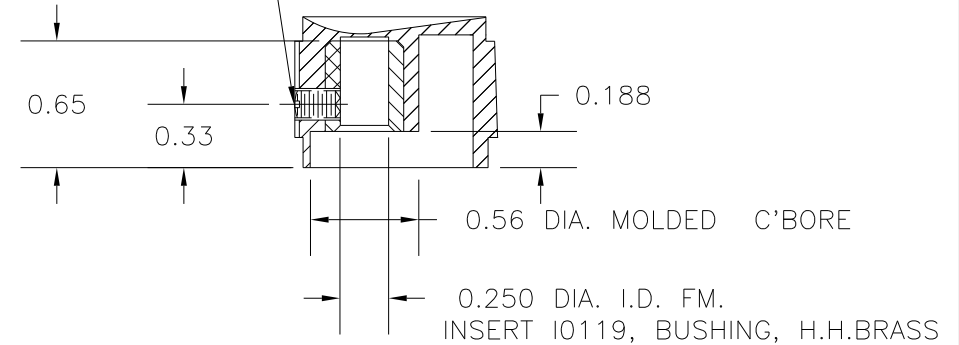
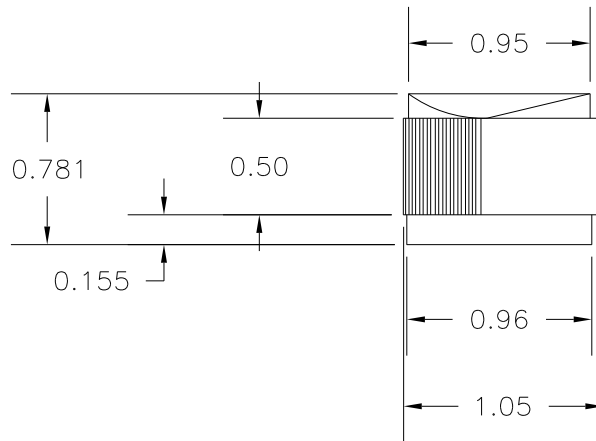
.37

60°



SCALE 4 : 1

8-32 X 1/4 LG. CUP POINTED, HEADLESS, SLOTTED TYPE, SET SCREW I0357,(1) USE #29 DR.(.136 DIA),#8-32 TAP.



MATERIAL: ABS (BE1)
 COLOR: BLACK

TOLERANCES: UNLESS OTHERWISE SPECIFIED	DO NOT SCALE DRAWING			
DECIMALS: X.XXX ± .005 X.XX ± .015	MM: X.XX ± 0.15MM X.X ± 0.4MM	-	UPDATED TOOLBOX	JAM 11/19/02
FRACTIONS ± 1/64	ANG. ± 1°	CHANGES		