

Configurable Four Output, Low Jitter Clock Generator for Automotive

Features

- AEC-Q100 Automotive Qualified
- Low RMS Phase Jitter: <1 ps (typ.)
- Complies with PCIe Gen1/2/3/4 Common Clock Spec
- High Stability: ± 25 ppm, ± 50 ppm
- Wide Temperature Range:
 - Automotive Grade 2: -40°C to $+105^{\circ}\text{C}$
 - Automotive Grade 3: -40°C to $+85^{\circ}\text{C}$
- High Supply Noise Rejection: -50 dBc
- Four Format-Configurable Outputs:
 - LVPECL, LVDS, HCSL, LVCMOS
- Available Pin-Selectable Frequency Table
 - 1 Pin per Bank for 2 Frequency Sets
- Wide Frequency Range:
 - 2.3 MHz – 460 MHz
- 20-Pin QFN Footprint (5.0 mm x 3.2 mm)
- Excellent Shock and Vibration Immunity
- High Reliability
 - 20x better MTF than quartz-based devices
- Wide Supply Range of 2.25V to 3.6V
- Lead Free and RoHS-Compliant

Applications

- Automotive Infotainment
- Automotive ADAS
- Autonomous Driving
- In-Vehicle Network

General Description

The DSA400 is a four output clock generator. It utilizes proven PureSilicon™ MEMS technology to provide excellent jitter and stability while incorporating additional device functionality.

The nominal frequencies of the outputs can be identical or independently derived from common PLLs.

The four output DSA400 MEMS oscillators are excellent choices for use as clock references in automotive applications in which small size, low power consumption, and long-term reliability are paramount. The DSA400 is AEC-Q100 qualified.

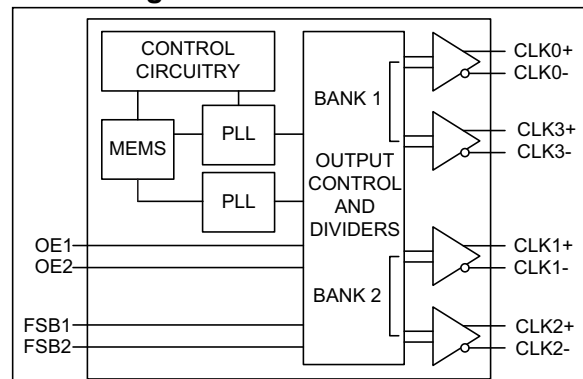
Each output may be configured independently to support a single-ended LVCMOS interface or a differential interface. Differential options include LVPECL, LVDS, or HCSL.

The DSA400 provides two independent select lines for choosing between two sets of pre-configured frequencies per bank. It also has two OE pins to allow for enabling and disabling outputs.

The DSA400 is packaged in a 20-pin QFN (5 mm x 3.2 mm) and is available in extended commercial and industrial temperature grades.

The DSA400 is a highly configurable device and is factory programmed to meet the customer's needs. Microchip's [ClockWorks Configurator](#) must be used to choose the necessary options, create the final part number, data sheet, and order samples.

Block Diagram



DSA400

1.0 ELECTRICAL CHARACTERISTICS

Absolute Maximum Ratings †

Supply Voltage	-0.3V to +4.0V
Input Voltage	-0.3V to $V_{DD}+0.3V$
ESD Protection (HBM)4 kV
ESD Protection (MM)	400V
ESD Protection (CDM)	1.5 kV

† **Notice:** Stresses above those listed under “Absolute Maximum Ratings” may cause permanent damage to the device. This is a stress rating only and functional operation of the device at those or any other conditions above those indicated in the operational sections of this specification is not intended. Exposure to maximum rating conditions for extended periods may affect device reliability.

ELECTRICAL CHARACTERISTICS

Electrical Characteristics: $V_{DD} = 3.3V$; $T_A = +25^\circ C$ unless otherwise specified.

Parameters	Symbol	Min.	Typ.	Max.	Units	Conditions
Supply Voltage (Note 1)	V_{DD}	2.25	—	3.6	V	—
Core Supply Current (Note 2)	I_{DDCORE}	—	40	44	mA	OE(1:2) = 0. All outputs disabled.
Frequency Stability	Δf	—	—	± 25	ppm	All temperature and V_{DD} ranges.
		—	—	± 50		
Aging - First Year	Δf_{Y1}	—	—	± 5	ppm	One year at $+25^\circ C$
Aging - After First Year	Δf_{Y2+}	—	—	$< \pm 1$	ppm/yr	Year two and beyond at $+25^\circ C$
Start-up Time (Note 3)	t_{SU}	—	—	5	ms	$T = +25^\circ C$
Input Logic Levels	V_{IH}	$0.75 \times V_{DD}$	—	—	V	Input logic high
	V_{IL}	—	—	$0.25 \times V_{DD}$		Input logic low
Output Disable Time (Note 4)	t_{DA}	—	—	5	ns	OE(1:2) transition from 1 to 0
Output Enable Time (Note 4)	t_{EN}	—	—	20	ns	OE(1:2) transition from 0 to 1
Pull-Up Resistor	R_{PU}	—	40	—	k Ω	All input pins have an internal pull-up

- Note 1:** V_{DD} pins should be filtered with a 0.1 μF capacitor connected between V_{DD} and V_{SS} .
Note 2: The addition of I_{DDCORE} and I_{DDIO} provides the total current consumption of the device.
Note 3: t_{SU} is time to 100 ppm stable output frequency after V_{DD} is applied and outputs are enabled.
Note 4: See the [Output Waveform](#) section for more information.

TEMPERATURE SPECIFICATIONS (Note 1)

Parameters	Symbol	Min.	Typ.	Max.	Units	Conditions
Temperature Ranges						
Operating Temperature Range (T)	T _A	-40	—	+105	°C	Ordering Option L
	T _A	-40	—	+85	°C	Ordering Option I
Junction Temperature	T _J	—	—	+150	°C	—
Storage Temperature Range	T _S	-40	—	+150	°C	—
Soldering Temperature	—	—	—	+260	°C	40 sec. max.

Note 1: The maximum allowable power dissipation is a function of ambient temperature, the maximum allowable junction temperature, and the thermal resistance from junction to air (i.e., T_A, T_J, θ_{JA}). Exceeding the maximum allowable power dissipation will cause the device operating junction temperature to exceed the maximum +150°C rating. Sustained junction temperatures above +150°C can impact the device reliability.

DSA400

2.0 PIN DESCRIPTIONS

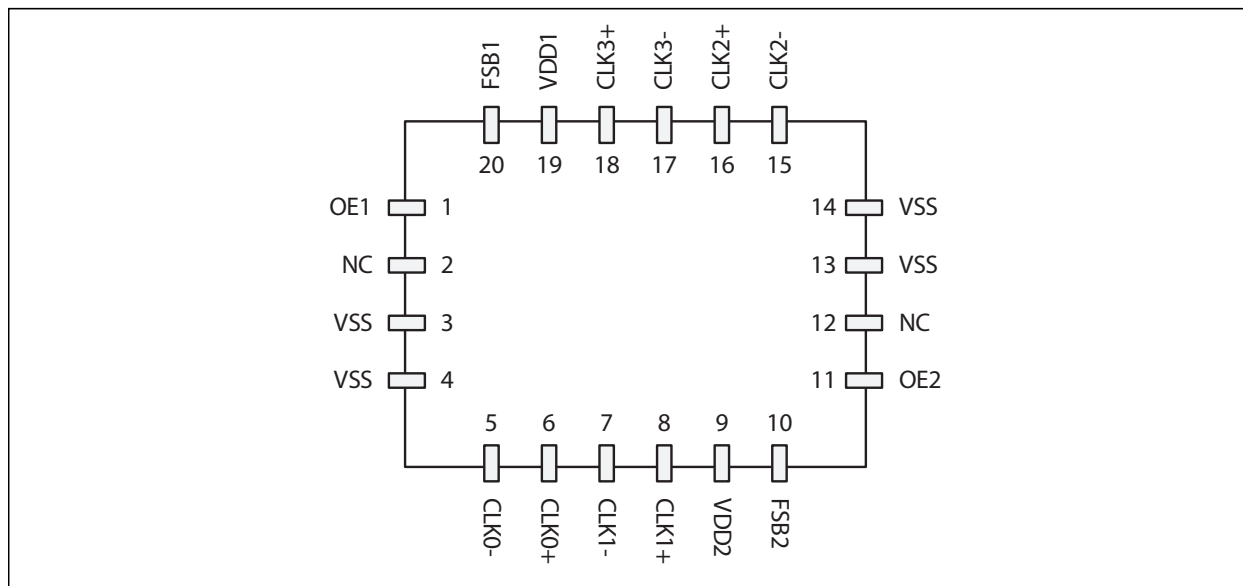


FIGURE 2-1: Pin Configuration, 20-Pin QFN (5.0 mm x 3.2 mm)

The descriptions of the pins are listed in [Table 2-1](#).

TABLE 2-1: PIN FUNCTION TABLE

Pin Number	Pin Name	Pin Type	Description
1	OE1	I	Output Enable for Bank1 (CLK0 and CLK3); Active-High. See Table 3-1 .
2	NC	N/A	Leave unconnected or connect to ground.
3	V _{SS}	PWR	Ground.
4	V _{SS}	PWR	Ground.
5	CLK0-	O	Complement output of differential pair 0 (off when in LVCMOS format).
6	CLK0+	O	True output of differential pair 0 or LVCMOS output 0.
7	CLK1-	O	Complement output of differential pair 1 (off when in LVCMOS format).
8	CLK1+	O	True output of differential pair 1 or LVCMOS output 1.
9	V _{DD2}	PWR	Power Supply for Bank2 (CLK1 and CLK2).
10	FSB2	I	Input for selecting pre-configured frequencies on Bank2 (CLK1 and CLK2).
11	OE2	I	Output Enable for Bank2 (CLK1 and CLK2); Active-High. See Table 3-1 .
12	NC	N/A	Leave unconnected or connect to ground.
13	V _{SS}	PWR	Ground.
14	V _{SS}	PWR	Ground.
15	CLK2-	O	Complement output of differential pair 2 (off when in LVCMOS format).
16	CLK2+	O	True output of differential pair 2 or LVCMOS output 2.
17	CLK3-	O	Complement output of differential pair 3 (off when in LVCMOS format).
18	CLK3+	O	True output of differential pair 3 or LVCMOS output 3.
19	V _{DD1}	PWR	Power Supply for Bank1 (CLK0 and CLK3).
20	FSB1	I	Input for selecting pre-configured frequencies on Bank1 (CLK0 and CLK3).

3.0 OPERATIONAL DESCRIPTION

The DSA400 is a clock generator. Unlike older clock generators in the industry, it does not require an external crystal to operate; it relies on the integrated MEMS resonator that interfaces with internal PLLs. This technology enhances performance and reliability by allowing tighter frequency stability over a far wider temperature range. In addition, the higher resistance to shock and vibration decreases the aging rate to allow for much improved product life in the system.

3.1 Inputs

There are four input signals in the device. Each has an internal (40 kΩ) pull-up to default the selection to a high (1). Inputs can be controlled through hardware strapping method with a resistor to ground to assert the input low (0). Inputs may also be controlled by other components' GPIOs

In case more than one frequency set is desired, FSB1 and FSB2 are used to independently select one of two sets per bank. FSB1 selects the pre-configured set on Bank1 (CLK0 and CLK3) and FSB2 selects the pre-configured set on Bank2 (CLK1 and CLK2), as shown in Table 0-1 in the Product Identification System section.

If there is a requirement to disable outputs, the inputs OE1 and OE2 are used in conjunction to disable the banks of outputs. Outputs are disabled in tri-state (Hi-Z) mode. See Table 3-1 for more information.

TABLE 3-1: OUTPUT ENABLE SELECTION TABLE

OE1	OE2	Bank 1 (CLK0 & CLK3)	Bank 2 (CLK1 & CLK2)
0	0	Hi-Z	Hi-Z
0	1	Hi-Z	Running
1	0	Running	Hi-Z
1	1	Running	Running

3.2 Outputs

The four outputs are grouped into two banks. Each bank is supplied by an independent V_{DD} to allow for optimized noise isolation between the two banks. Each bank provides two synchronous outputs generated by a common PLL:

- Bank1 is composed of outputs CLK0 and CLK3.
- Bank2 is composed of outputs CLK1 and CLK2.

Each output may be pre-configured independently to be one of the following formats: LVCMOS, LVDS, LVPECL or HCSL. In case the output is configured to be single-ended LVCMOS, the frequency is generated on the true output (CLKx+) and the complement output (CLKx-) is shut off in a low state. Frequencies can be

chosen from 2.3 MHz to 460 MHz for differential outputs and from 2.3 MHz to 170 MHz on LVCMOS outputs.

3.3 Power

V_{DD1} and V_{DD2} supply the power to banks 1 and 2 respectively. Each V_{DD} may have a different supply voltage from the other as long as it is within the 2.25V to 3.6V range. Each V_{DD} pin should have a 0.1 μF capacitor to filter high-frequency noise. V_{SS} is common to the entire device.

DSA400

4.0 TERMINATION SCHEMES

4.1 LVPECL

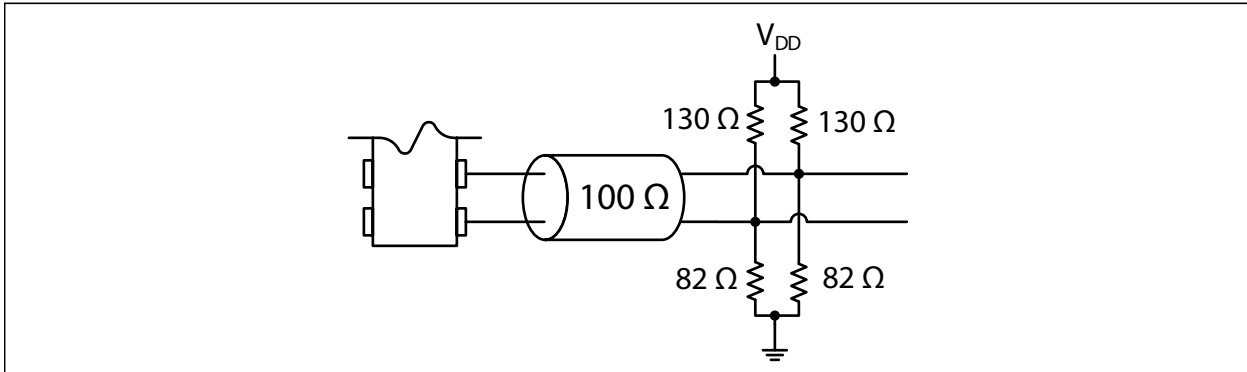


FIGURE 4-1: Typical LVPECL Termination Scheme.

TABLE 4-1: LVPECL OUTPUTS (Note 1)

Parameter	Symbol	Min.	Typ.	Max.	Units	Condition
Output Logic Levels	V_{OH}	$V_{DD} - 1.08$	—	—	V	Output Logic High, $R_L = 50\Omega$ to $V_{DD} - 2V$
	V_{OL}	—	—	$V_{DD} - 1.55$		Output Logic Low, $R_L = 50\Omega$ to $V_{DD} - 2V$
Peak-to-Peak Output Swing	—	—	800	—	mV	Single-Ended
Output Transition Time (Note 2)	t_R	—	250	—	ps	Rise Time. 20% to 80%; $R_L = 50\Omega$ to $V_{DD} - 2V$
	t_F	—	250	—		Fall Time. 20% to 80%; $R_L = 50\Omega$ to $V_{DD} - 2V$
Frequency	f_0	2.3	—	460	MHz	Single Frequency
Output Duty Cycle	SYM	48	—	52	%	Differential
IO Supply Current (Note 3)	I_{DDIO}	—	35	38	mA	Per Output at 125 MHz
Period Jitter (Note 4)	J_{PER}	—	2.5	—	ps _{RMS}	CLK(0:3) = 156.25 MHz
Integrated Phase Noise	J_{PH}	—	0.25	—	ps _{RMS}	200 kHz to 20 MHz @ 156.25 MHz
		—	0.38	—		100 kHz to 20 MHz @ 156.25 MHz
		—	1.7	2		12 kHz to 20 MHz @ 156.25 MHz

Note 1: LVPECL applicable to automotive Grade 3 temperature only.

2: See the [Output Waveform](#) section for more information.

3: The addition of I_{DDCORE} and I_{DDIO} provides the total current consumption of the device.

4: Period jitter includes crosstalk from adjacent output.

4.2 LVDS

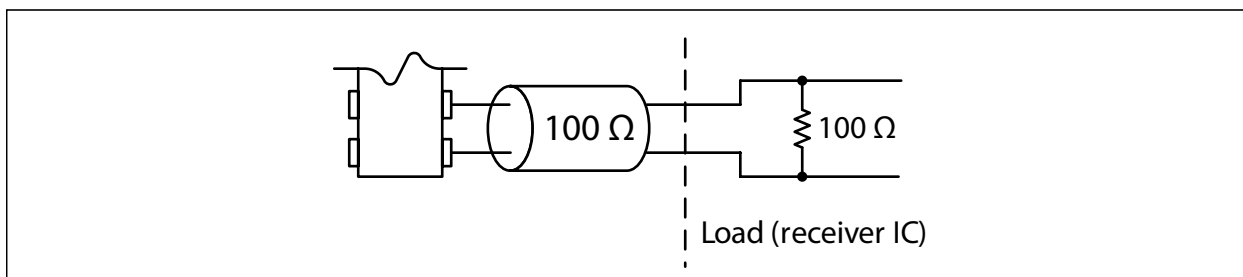


FIGURE 4-2: Typical LVDS Termination Scheme.

If the 100Ω clamping resistor does not exist inside the receiving device, it should be added externally on the PCB and placed as close as possible to the receiver.

TABLE 4-2: LVDS OUTPUTS

Parameter	Symbol	Min.	Typ.	Max.	Units	Condition
Output Offset Voltage	V_{OS}	1.125	—	1.46	V	R = 100Ω Differential
Delta Offset Voltage	ΔV_{OS}	—	—	100	mV	—
Peak-to-Peak Output Swing	V_{PP}	—	350	—	mV	Single-Ended
Output Transition Time (Note 1)	t_R	—	200	—	ps	Rise Time, 20% to 80%, $R_L = 50\Omega$, $C_L = 2\text{ pF}$
	t_F	—	200	—		Fall Time, 20% to 80%, $R_L = 50\Omega$, $C_L = 2\text{ pF}$
Frequency	f_0	2.3	—	460	MHz	Single Frequency
Output Duty Cycle	SYM	48	—	52	%	Differential
IO Supply Current (Note 2)	I_{DDIO}	—	9	12	mA	Per Output at 125 MHz
Period Jitter	J_{PER}	—	2.5	—	ps _{RMS}	—
Integrated Phase Noise	J_{PH}	—	0.28	—	ps _{RMS}	200 kHz to 20 MHz @ 156.25 MHz
		—	0.4	—		100 kHz to 20 MHz @ 156.25 MHz
		—	1.7	2.0		12 kHz to 20 MHz @ 156.25 MHz

Note 1: See the [Output Waveform](#) section for more information.

2: The addition of I_{DDCORE} and I_{DDIO} provides the total current consumption of the device.

DSA400

4.3 HCSL

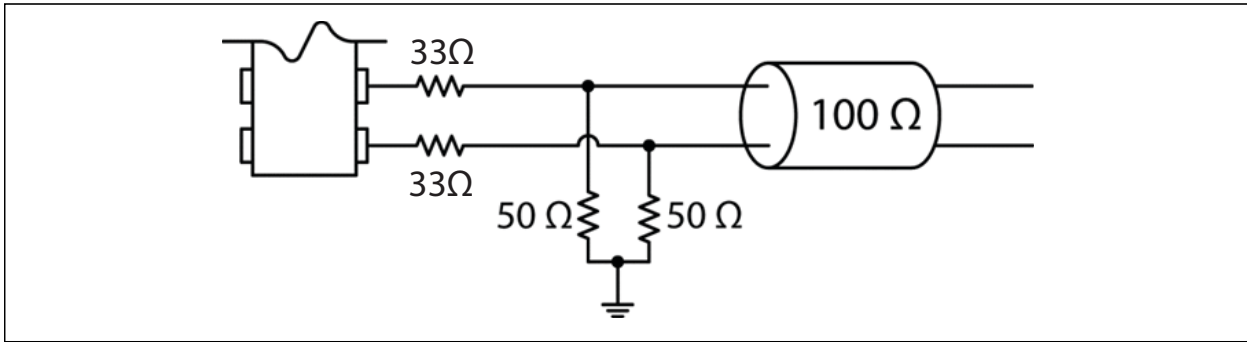


FIGURE 4-3: Typical HCSL Termination Scheme.

The 33Ω series resistors are needed to avoid excessive ringing.

TABLE 4-3: HCSL OUTPUTS

Parameter	Symbol	Min.	Typ.	Max.	Units	Condition
Output Logic Levels	V_{OH}	0.725	—	—	V	Output Logic High, $R_L = 50\Omega$
	V_{OL}	—	—	0.1		Output Logic Low, $R_L = 50\Omega$
Peak-to-Peak Output Swing	—	—	750	—	mV	Single-Ended
Output Transition Time (Note 1)	t_R	200	—	400	ps	Rise Time, 20% to 80%, $R_L = 50\Omega$, $C_L = 2$ pF
	t_F	200	—	400		Fall Time, 20% to 80%, $R_L = 50\Omega$, $C_L = 2$ pF
Frequency	f_0	2.3	—	460	MHz	Single Frequency
Output Duty Cycle	SYM	48	—	52	%	Differential
IO Supply Current (Note 2)	I_{DDIO}	—	20	22	mA	Per Output at 125 MHz.
Period Jitter	J_{PER}	—	2.5	—	ps _{RMS}	—
Integrated Phase Noise	J_{PH}	—	0.25	—	ps _{RMS}	200 kHz to 20 MHz @ 156.25 MHz
		—	0.37	—		100 kHz to 20 MHz @ 156.25 MHz
		—	1.7	2.0		12 kHz to 20 MHz @ 156.25 MHz

Note 1: See the [Output Waveform](#) section for more information.

2: The addition of I_{DDCORE} and I_{DDIO} provides the total current consumption of the device.

4.4 LVCMOS

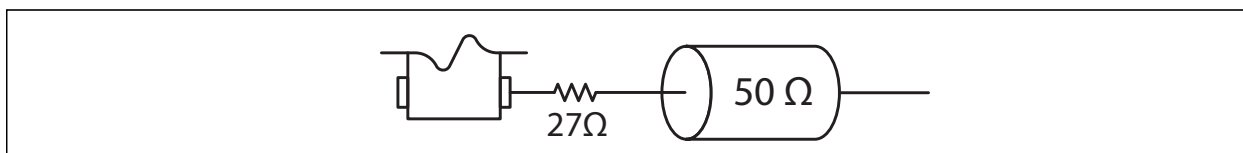


FIGURE 4-4: Typical LVCMOS Termination Scheme.

The 27Ω Series resistor complements the output impedance of about 23Ω to 50Ω impedance to match the line 50Ω characteristic impedance to prevent reflections from the driver back to the receiver.

TABLE 4-4: LVCMOS OUTPUTS

Parameter	Symbol	Min.	Typ.	Max.	Units	Condition
Output Logic Levels	V_{OH}	$0.9 \times V_{DD}$	—	—	V	Output Logic High, $I = \pm 6$ mA
	V_{OL}	—	—	$0.1 \times V_{DD}$		Output Logic Low, $I = \pm 6$ mA
Output Transition Time (Note 1)	t_R	—	1.1	2.0	ns	Rise Time, 20% to 80%, $C_L = 15$ pF
	t_F	—	1.3	2.0		Fall Time, 20% to 80%, $C_L = 15$ pF
Frequency	f_0	—	—	100	MHz	—
Output Duty Cycle	SYM	44	—	55	%	—
IO Supply Current (Note 2)	I_{DDIO}	—	11	14	mA	Per Output at 125 MHz, $C_L = 15$ pF
Period Jitter	J_{PER}	—	3	—	ps _{RMS}	CLK(0:3) = 125 MHz
Integrated Phase Noise	J_{PH}	—	0.3	—	ps _{RMS}	200 kHz to 20 MHz @ 125 MHz
		—	0.38	—		100 kHz to 20 MHz @ 125 MHz
		—	1.7	2.0		12 kHz to 20 MHz @ 125 MHz

Note 1: See the [Output Waveform](#) section for more information.

2: The addition of I_{DDCORE} and I_{DDIO} provides the total current consumption of the device.

5.0 OUTPUT WAVEFORM

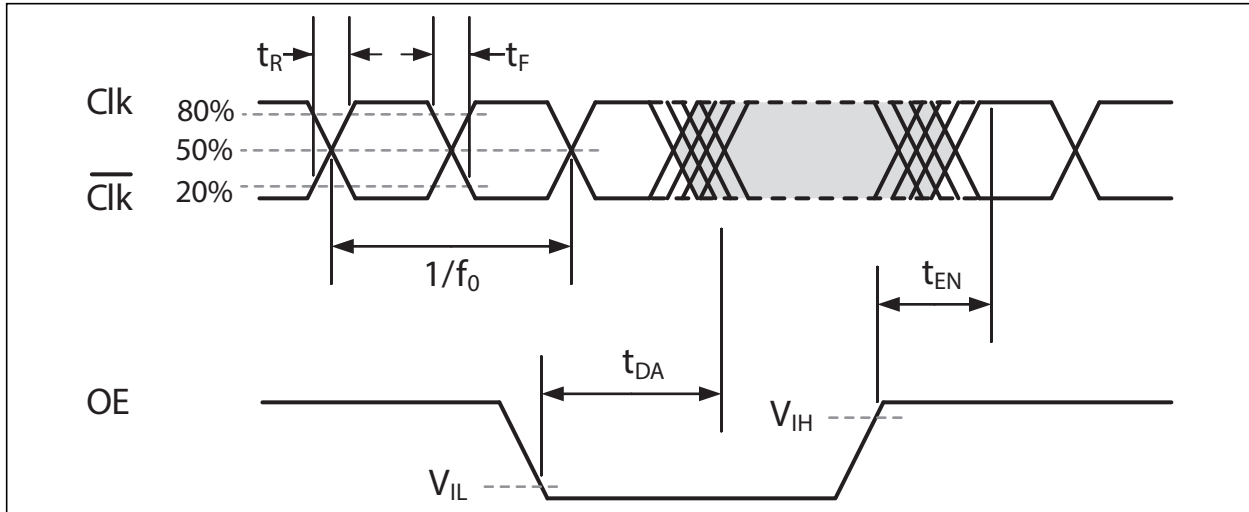


FIGURE 5-1: Differential Output (LVDS, LVPECL, HCSL).

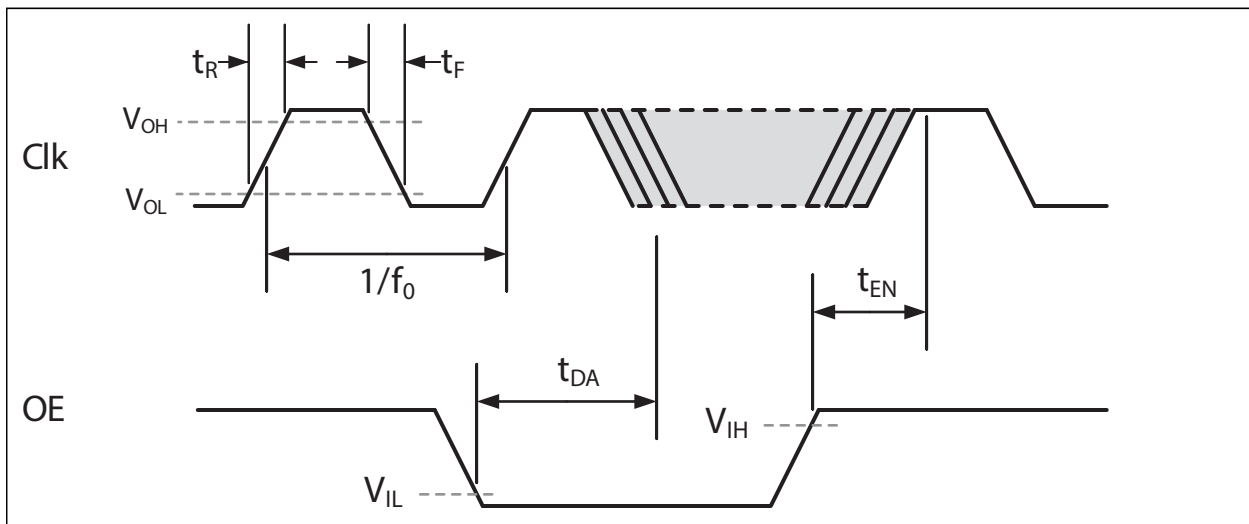


FIGURE 5-2: LVCMOS Output.

6.0 CONNECTION DIAGRAM

The connection diagram below includes recommended capacitors to be placed on each V_{DD} for noise filtering.

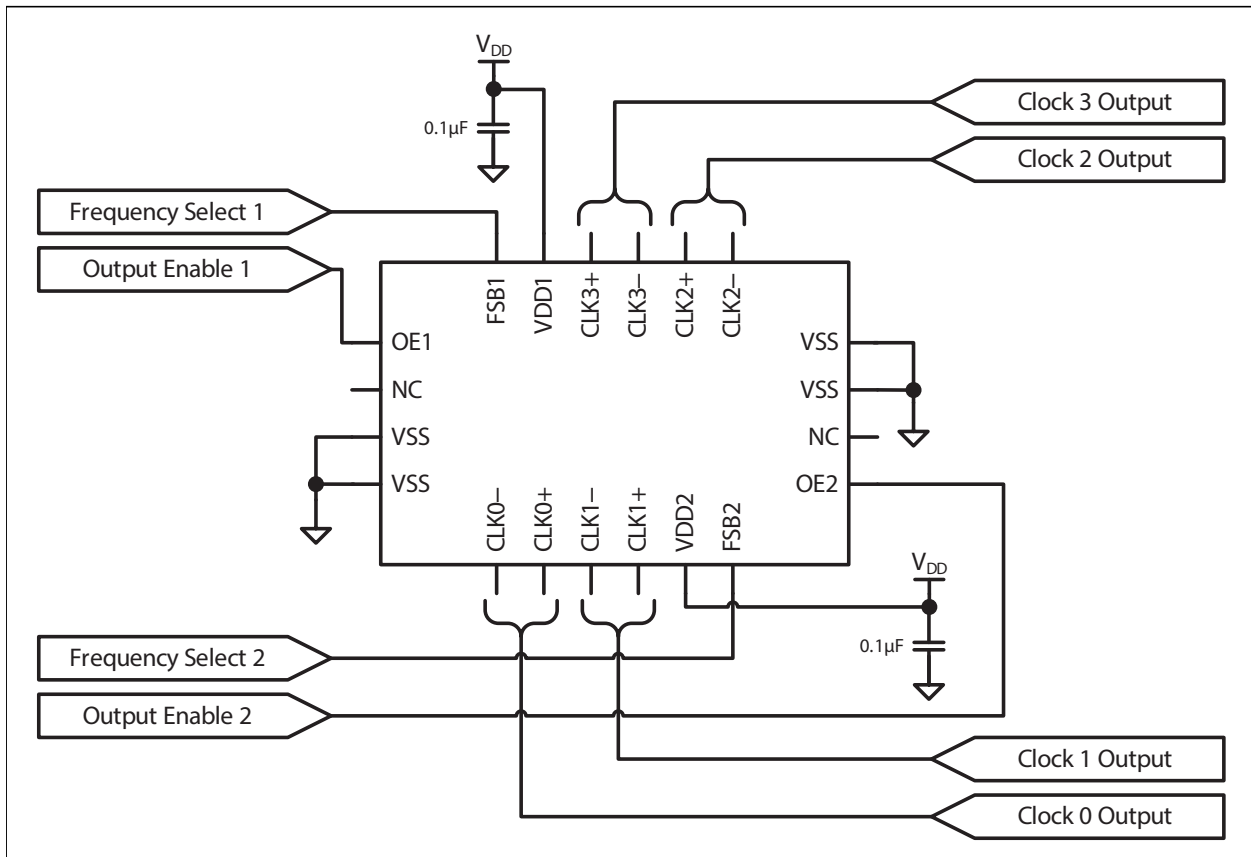
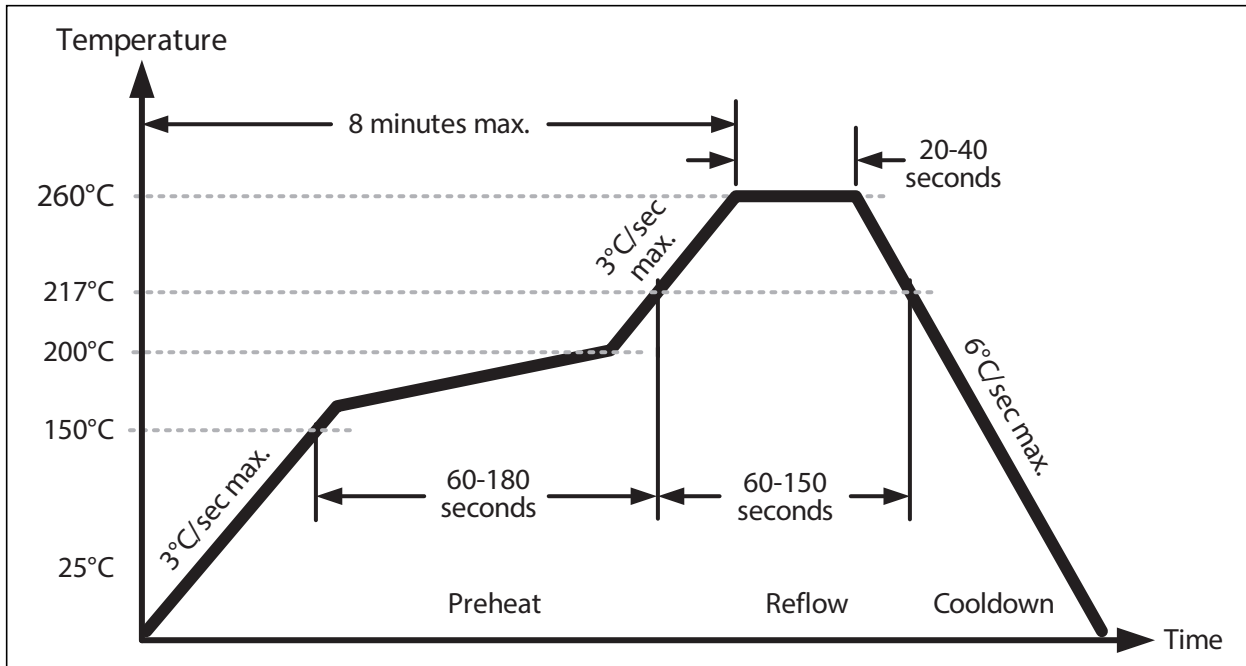


FIGURE 6-1: DSA400 Connection Diagram.

DSA400

7.0 SOLDER REFLOW PROFILE

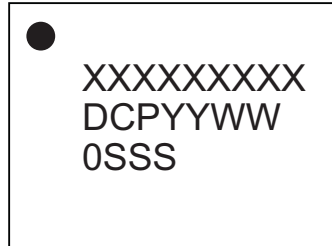


MSL 1 @ 260°C refer to JSTD-020C	
Ramp-Up Rate (200°C to Peak Temp)	3°C/sec. max.
Preheat Time 150°C to 200°C	60-180 sec.
Time Maintained above 217°C	60-150 sec.
Peak Temperature	255°C to 260°C
Time within 5°C of Actual Peak	20-40 sec.
Ramp-Down Rate	6°C/sec. max.
Time 25°C to Peak Temperature	8 minutes max.

8.0 PACKAGING INFORMATION

8.1 Package Marking Information

20-Lead QFN*
(5.0 mm x 3.2 mm)



Example



Legend:	XX...X	Product code or customer-specific information
	Y	Year code (last digit of calendar year)
	YY	Year code (last 2 digits of calendar year)
	WW	Week code (week of January 1 is week '01')
	NNN	Alphanumeric traceability code
	(e3)	Pb-free JEDEC® designator for Matte Tin (Sn)
	*	This package is Pb-free. The Pb-free JEDEC designator (e3) can be found on the outer packaging for this package.
	•, ▲, ▼	Pin one index is identified by a dot, delta up, or delta down (triangle mark).
Note:	In the event the full Microchip part number cannot be marked on one line, it will be carried over to the next line, thus limiting the number of available characters for customer-specific information. Package may or may not include the corporate logo.	
	Underbar (¯) and/or Overbar (¯) symbol may not be to scale.	

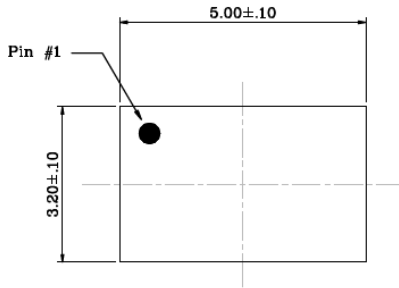
DSA400

20-Lead QFN 5.0 mm x 3.2 mm Package Outline and Recommended Land Pattern

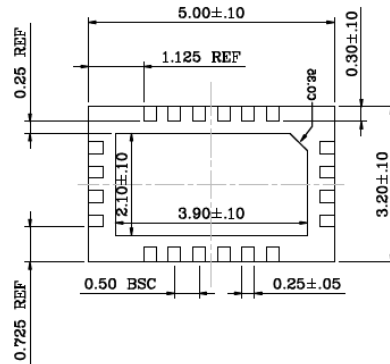
TITLE

20 LEAD QFN 5.0x3.2mm PACKAGE OUTLINE & RECOMMENDED LAND PATTERN

DRAWING #	QFN5032-20LD-PL-1	UNIT	MM
-----------	-------------------	------	----



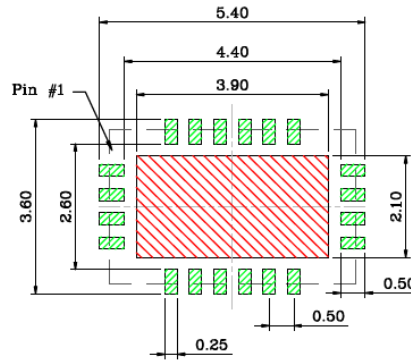
Top View



Bottom View



Side View



Recommended Land Pattern

NOTE:

1. Green shaded rectangles in Recommended Land Pattern are solder stencil opening.
2. Red shaded rectangle in Recommended Land Pattern is keep-out area.

Note: For the most current package drawings, please see the Microchip Packaging Specification located at <http://www.microchip.com/packaging>.

APPENDIX A: REVISION HISTORY

Revision A (June 2020)

- Initial release of DSA400 as Microchip data sheet DS20006356A.

DSA400

NOTES:

PRODUCT IDENTIFICATION SYSTEM

To order or obtain information, e.g., on pricing or delivery, contact your local Microchip representative or sales office.

<u>PART NO.</u>	X	X	X	X	Qxxxx	X	X	X	X	XXX
Device	CLK3 Output Format	CLK2 Output Format	CLK1 Output Format	CLK0 Output Format	Freq. Code	Package	Temp. Range	Stability	Packing	Automotive Suffix
Device:	DSA400: Configurable Four Output, Low Jitter Clock Generator									
CLK3 Output Format:	0	=	OFF							
	1	=	LVC MOS							
	2	=	LVPECL							
	3	=	LVDS							
	4	=	HCSL							
CLK2 Output Format:	1	=	LVC MOS							
	2	=	LVPECL							
	3	=	LVDS							
	4	=	HCSL							
CLK1 Output Format:	0	=	OFF							
	1	=	LVC MOS							
	2	=	LVPECL							
	3	=	LVDS							
	4	=	HCSL							
CLK0 Output Format:	1	=	LVC MOS							
	2	=	LVPECL							
	3	=	LVDS							
	4	=	HCSL							
Frequency Code:	Qxxxx	=	This code is assigned by the factory. See Table 0-1 in this section for more information.							
Package:	K	=	20-Pin QFN							
Temperature Range:	L	=	-40°C to +105°C (Automotive Grade 2)							
	I	=	-40°C to +85°C (Automotive Grade 3)							
Stability:	1	=	±50 ppm							
	2	=	±25 ppm							
Packing:	Blank	=	72/Tube							
	T	=	1,000/Reel							
Automotive Suffix:	VXX = Automotive Suffix in which "XX" is assigned by Microchip. Default value is "AO" for standard automotive part									

Examples:

- DSA400-2143QxxxxK11VAO:
Configurable Four Output, Low Jitter Clock Generator; LVPECL CLK3; LVC MOS CLK2; HCSL CLK1; LVDS CLK0; Frequency Code; 20-Pin QFN; -40°C to +85°C Temp. Range; ±50 ppm Stability; 72/Tube; Standard automotive
- DSA400-4132QxxxxK12TVAO:
Configurable Four Output, Low Jitter Clock Generator; HCSL CLK3; LVC MOS CLK2; LVDS CLK1; LVPECL CLK0; Frequency Code; 20-Pin QFN; -40°C to +85°C Temp. Range; ±25 ppm Stability; 1,000/Reel; Standard automotive
- DSA400-0303QxxxxKL2VAO:
Configurable Four Output, Low Jitter Clock Generator; OFF CLK3; LVDS CLK2; OFF CLK1; LVDS CLK0; Frequency Code; 20-Pin QFN; -40°C to +105°C Temp. Range; ±25 ppm Stability; 72/Tube; Standard automotive
- DSA400-1111QxxxxKL1TVAO:
Configurable Four Output, Low Jitter Clock Generator; LVC MOS CLK3 through CLK0; Frequency Code; 20-Pin QFN; -40°C to +105°C Temp. Range; ±50 ppm Stability; 1,000/Reel; Standard automotive

Note 1: Tape and Reel identifier only appears in the catalog part number description. This identifier is used for ordering purposes and is not printed on the device package. Check with your Microchip Sales Office for package availability with the Tape and Reel option.

DSA400

Factory Configuration Code Assignment of Qxxxx

The DSC400 is meant for customers to define their own frequency requirements at the four available outputs using [ClockWorks Configurator](#). The Qxxxx number identifies these specific customer requirements and is assigned by the factory.

TABLE 0-1: EXAMPLE OF HOW FSB1 & FSB2 ARE APPLIED & THE QXXXX ASSIGNMENT

Bank1	Outputs	FSB1		Qxxxx Number
		1 (default)	0	
	CLK0	125 MHz	150 MHz	Q1234
	CLK3	50 MHz	25 MHz	
Bank2	Outputs	FSB2		
		1 (default)	0	
		CLK1	156.25 MHz	
	CLK2	156.25 MHz	100 MHz	

Note the following details of the code protection feature on Microchip devices:

- Microchip products meet the specification contained in their particular Microchip Data Sheet.
- Microchip believes that its family of products is one of the most secure families of its kind on the market today, when used in the intended manner and under normal conditions.
- There are dishonest and possibly illegal methods used to breach the code protection feature. All of these methods, to our knowledge, require using the Microchip products in a manner outside the operating specifications contained in Microchip's Data Sheets. Most likely, the person doing so is engaged in theft of intellectual property.
- Microchip is willing to work with the customer who is concerned about the integrity of their code.
- Neither Microchip nor any other semiconductor manufacturer can guarantee the security of their code. Code protection does not mean that we are guaranteeing the product as “unbreakable.”

Code protection is constantly evolving. We at Microchip are committed to continuously improving the code protection features of our products. Attempts to break Microchip's code protection feature may be a violation of the Digital Millennium Copyright Act. If such acts allow unauthorized access to your software or other copyrighted work, you may have a right to sue for relief under that Act.

Information contained in this publication regarding device applications and the like is provided only for your convenience and may be superseded by updates. It is your responsibility to ensure that your application meets with your specifications. MICROCHIP MAKES NO REPRESENTATIONS OR WARRANTIES OF ANY KIND WHETHER EXPRESS OR IMPLIED, WRITTEN OR ORAL, STATUTORY OR OTHERWISE, RELATED TO THE INFORMATION, INCLUDING BUT NOT LIMITED TO ITS CONDITION, QUALITY, PERFORMANCE, MERCHANTABILITY OR FITNESS FOR PURPOSE. Microchip disclaims all liability arising from this information and its use. Use of Microchip devices in life support and/or safety applications is entirely at the buyer's risk, and the buyer agrees to defend, indemnify and hold harmless Microchip from any and all damages, claims, suits, or expenses resulting from such use. No licenses are conveyed, implicitly or otherwise, under any Microchip intellectual property rights unless otherwise stated.

Trademarks

The Microchip name and logo, the Microchip logo, Adaptec, AnyRate, AVR, AVR logo, AVR Freaks, BesTime, BitCloud, chipKIT, chipKIT logo, CryptoMemory, CryptoRF, dsPIC, FlashFlex, flexPWR, HELDO, IGLOO, JukeBlox, KeeLoq, Klear, LANCheck, LinkMD, maXStylus, maXTouch, MediaLB, megaAVR, Microsemi, Microsemi logo, MOST, MOST logo, MPLAB, OptoLyzer, PackeTime, PIC, picoPower, PICSTART, PIC32 logo, PolarFire, Prochip Designer, QTouch, SAM-BA, SenGenuity, SpyNIC, SST, SST Logo, SuperFlash, Symmetricom, SyncServer, Tachyon, TempTrackr, TimeSource, tinyAVR, UNI/O, Vectron, and XMEGA are registered trademarks of Microchip Technology Incorporated in the U.S.A. and other countries.

APT, ClockWorks, The Embedded Control Solutions Company, EtherSynch, FlashTec, Hyper Speed Control, HyperLight Load, IntelliMOS, Libero, motorBench, mTouch, Powermite 3, Precision Edge, ProASIC, ProASIC Plus, ProASIC Plus logo, Quiet-Wire, SmartFusion, SyncWorld, Temux, TimeCesium, TimeHub, TimePictra, TimeProvider, Vite, WinPath, and ZL are registered trademarks of Microchip Technology Incorporated in the U.S.A.

Adjacent Key Suppression, AKS, Analog-for-the-Digital Age, Any Capacitor, AnyIn, AnyOut, BlueSky, BodyCom, CodeGuard, CryptoAuthentication, CryptoAutomotive, CryptoCompanion, CryptoController, dsPICDEM, dsPICDEM.net, Dynamic Average Matching, DAM, ECAN, EtherGREEN, In-Circuit Serial Programming, ICSP, INICnet, Inter-Chip Connectivity, JitterBlocker, KlearNet, KlearNet logo, memBrain, Mindi, MiWi, MPASM, MPF, MPLAB Certified logo, MPLIB, MPLINK, MultiTRAK, NetDetach, Omniscient Code Generation, PICDEM, PICDEM.net, PICkit, PICtail, PowerSmart, PureSilicon, QMatrix, REAL ICE, Ripple Blocker, SAM-ICE, Serial Quad I/O, SMART-I.S., SQI, SuperSwitcher, SuperSwitcher II, Total Endurance, TSHARC, USBCheck, VariSense, ViewSpan, WiperLock, Wireless DNA, and ZENA are trademarks of Microchip Technology Incorporated in the U.S.A. and other countries.

SQTP is a service mark of Microchip Technology Incorporated in the U.S.A.

The Adaptec logo, Frequency on Demand, Silicon Storage Technology, and Symmcom are registered trademarks of Microchip Technology Inc. in other countries.

GestIC is a registered trademark of Microchip Technology Germany II GmbH & Co. KG, a subsidiary of Microchip Technology Inc., in other countries.

All other trademarks mentioned herein are property of their respective companies.

© 2020, Microchip Technology Incorporated, All Rights Reserved.

ISBN: 978-1-5224-6182-1

For information regarding Microchip's Quality Management Systems, please visit www.microchip.com/quality.



MICROCHIP

Worldwide Sales and Service

AMERICAS

Corporate Office
2355 West Chandler Blvd.
Chandler, AZ 85224-6199
Tel: 480-792-7200
Fax: 480-792-7277
Technical Support:
<http://www.microchip.com/support>
Web Address:
www.microchip.com

Atlanta

Duluth, GA
Tel: 678-957-9614
Fax: 678-957-1455

Austin, TX

Tel: 512-257-3370

Boston

Westborough, MA
Tel: 774-760-0087
Fax: 774-760-0088

Chicago

Itasca, IL
Tel: 630-285-0071
Fax: 630-285-0075

Dallas

Addison, TX
Tel: 972-818-7423
Fax: 972-818-2924

Detroit

Novi, MI
Tel: 248-848-4000

Houston, TX

Tel: 281-894-5983

Indianapolis

Noblesville, IN
Tel: 317-773-8323
Fax: 317-773-5453
Tel: 317-536-2380

Los Angeles

Mission Viejo, CA
Tel: 949-462-9523
Fax: 949-462-9608
Tel: 951-273-7800

Raleigh, NC

Tel: 919-844-7510

New York, NY

Tel: 631-435-6000

San Jose, CA

Tel: 408-735-9110
Tel: 408-436-4270

Canada - Toronto

Tel: 905-695-1980
Fax: 905-695-2078

ASIA/PACIFIC

Australia - Sydney
Tel: 61-2-9868-6733

China - Beijing
Tel: 86-10-8569-7000

China - Chengdu
Tel: 86-28-8665-5511

China - Chongqing
Tel: 86-23-8980-9588

China - Dongguan
Tel: 86-769-8702-9880

China - Guangzhou
Tel: 86-20-8755-8029

China - Hangzhou
Tel: 86-571-8792-8115

China - Hong Kong SAR
Tel: 852-2943-5100

China - Nanjing
Tel: 86-25-8473-2460

China - Qingdao
Tel: 86-532-8502-7355

China - Shanghai
Tel: 86-21-3326-8000

China - Shenyang
Tel: 86-24-2334-2829

China - Shenzhen
Tel: 86-755-8864-2200

China - Suzhou
Tel: 86-186-6233-1526

China - Wuhan
Tel: 86-27-5980-5300

China - Xian
Tel: 86-29-8833-7252

China - Xiamen
Tel: 86-592-2388138

China - Zhuhai
Tel: 86-756-3210040

ASIA/PACIFIC

India - Bangalore
Tel: 91-80-3090-4444

India - New Delhi
Tel: 91-11-4160-8631

India - Pune
Tel: 91-20-4121-0141

Japan - Osaka
Tel: 81-6-6152-7160

Japan - Tokyo
Tel: 81-3-6880-3770

Korea - Daegu
Tel: 82-53-744-4301

Korea - Seoul
Tel: 82-2-554-7200

Malaysia - Kuala Lumpur
Tel: 60-3-7651-7906

Malaysia - Penang
Tel: 60-4-227-8870

Philippines - Manila
Tel: 63-2-634-9065

Singapore
Tel: 65-6334-8870

Taiwan - Hsin Chu
Tel: 886-3-577-8366

Taiwan - Kaohsiung
Tel: 886-7-213-7830

Taiwan - Taipei
Tel: 886-2-2508-8600

Thailand - Bangkok
Tel: 66-2-694-1351

Vietnam - Ho Chi Minh
Tel: 84-28-5448-2100

EUROPE

Austria - Wels
Tel: 43-7242-2244-39
Fax: 43-7242-2244-393

Denmark - Copenhagen
Tel: 45-4485-5910
Fax: 45-4485-2829

Finland - Espoo
Tel: 358-9-4520-820

France - Paris
Tel: 33-1-69-53-63-20
Fax: 33-1-69-30-90-79

Germany - Garching
Tel: 49-8931-9700

Germany - Haan
Tel: 49-2129-3766400

Germany - Heilbronn
Tel: 49-7131-72400

Germany - Karlsruhe
Tel: 49-721-625370

Germany - Munich
Tel: 49-89-627-144-0
Fax: 49-89-627-144-44

Germany - Rosenheim
Tel: 49-8031-354-560

Israel - Ra'anana
Tel: 972-9-744-7705

Italy - Milan
Tel: 39-0331-742611
Fax: 39-0331-466781

Italy - Padova
Tel: 39-049-7625286

Netherlands - Drunen
Tel: 31-416-690399
Fax: 31-416-690340

Norway - Trondheim
Tel: 47-7288-4388

Poland - Warsaw
Tel: 48-22-3325737

Romania - Bucharest
Tel: 40-21-407-87-50

Spain - Madrid
Tel: 34-91-708-08-90
Fax: 34-91-708-08-91

Sweden - Gothenberg
Tel: 46-31-704-60-40

Sweden - Stockholm
Tel: 46-8-5090-4654

UK - Wokingham
Tel: 44-118-921-5800
Fax: 44-118-921-5820