

PLEASE CHECK WWW.MOLEX.COM FOR LATEST PART INFORMATION

Part Number: [0622018698](#)
Status: **Active**
Overview: [Application Tooling](#)
Description: Press-In Tool for 6-Pair by 14-Column Backplane

Documents:

[RoHS Certificate of Compliance \(PDF\)](#)

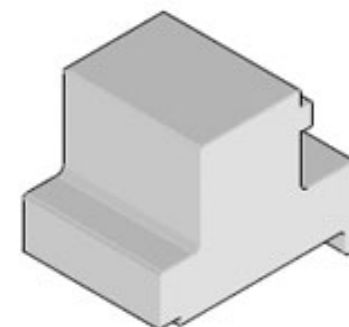
General

Product Family	Application Tooling
Series	207123
Comments	See Tooling Specification (PDF) Above
Function	Insertion
Geographic Area	Global
Level of Automation	Manual
More Detailed Tech Information	applicationtooling@molex.com
Overview	Application Tooling
Product Name	Impact
Tool Type	Press-Fit Insertion Tool
UPC	883906554736
Warranty Disclaimer	CAUTION: Molex tooling crimp specifications are valid only when used with Molex terminals and tooling manufactured by Molex and sold by Molex or authorized distributors ("Molex Tooling"). When using tooling other than Molex Tooling with Molex specific connector systems listed in our ATS documents, the Molex tooling qualification does not apply and the responsibility for full qualification of the connector system is that of the customer. Molex accepts no liability for connector performance or tooling support where tooling other than Molex Tooling is used or where Molex Tooling is modified.

Material Info

Reference - Drawing Numbers

Application Tooling Documents [ATS-622018698, TM-622018799](#)



Series image - Reference only

EU ELV

Not Relevant

EU RoHS

Not Reviewed

REACH SVHC

Not Reviewed

Halogen-Free

Status

Not Relevant

For more information, please visit [Contact US](#)

China ROHS

Not Relevant

ELV

Not Relevant

RoHS Phthalates

Not Reviewed

Search Parts in this Series

[207123 Series](#)

Use With

Impact 6 Pair Right Angle Daughtercard
[76150](#)

Application Tooling | [FAQ](#)

Description | **Product #**

Impact 100 Ohm 6 Pair Right-Angle Daughtercard Receptacle, Unguided, 14 Columns, 252 Circuits, Plated Through Hole Dimension 0.46mm, Lead-Free [761501014](#)

Impact 100 Ohm 6 Pair Right-Angle Daughtercard Receptacle, Unguided, 14 Columns, 252 Circuits, Plated Through Hole [761501024](#)

Dimension 0.39mm,
Lead-Free
Impact 100 Ohm 761503014
6 Pair Right-Angle
Daughtercard
Receptacle, Left
Guided, 14 Columns,
252 Circuits, Plated
Through Hole
Dimension 0.46mm,
Lead-Free
Impact 100 Ohm 761503024
6 Pair Right-Angle
Daughtercard
Receptacle, Left
Guided, 14 Columns,
252 Circuits, Plated
Through Hole
Dimension 0.39mm,
Lead-Free
Impact 100 Ohm 761505014
6 Pair Right-Angle
Daughtercard
Receptacle, Right
Guided, 14 Columns,
252 Circuits, Plated
Through Hole
Dimension 0.46mm,
Lead-Free
Impact 100 Ohm 761505024
6 Pair Right-Angle
Daughtercard
Receptacle, Right
Guided, 14 Columns,
252 Circuits, Plated
Through Hole
Dimension 0.39mm,
Lead-Free
Impact 100 Ohm 765601707
6 Pair RAM Right-
Angle Header,
Unguided, Open
Endwall, 14
Columns, 252
Circuits, Pin Length
4.90mm, Plated
Through Hole
Dimension 0.39mm,
Lead Free
Impact 100 Ohm 765601728
6 Pair RAM Right-
Angle Header,
Unguided, Dual
Endwall, 14
Columns, 252
Circuits, Pin Length
5.50mm, Plated
Through Hole
Dimension 0.39mm,
Lead-Free
Impact 100 Ohm 765603707
6 Pair RAM Right-
Angle Header,
Left Guided,
Open Endwall,

14 Columns, 180
Circuits, Pin Length
4.90mm, Plated
Through Hole
Dimension 0.39mm,
Lead-Free

Impact 100 Ohm 765607705

6 Pair RAM Right-
Angle Header,
Left Guided,
Right Endwall,
14 Columns, 252
Circuits, Pin Length
5.50mm, Plated
Through Hole
Dimension 0.46mm,
Lead-Free

Impact 100 Ohm 765607708

6 Pair RAM Right-
Angle Header,
Left Guided,
Right Endwall,
14 Columns, 252
Circuits, Pin Length
5.50mm, Plated
Through Hole
Dimension 0.39mm,
Lead-Free

Impact 100 Ohm 765609707

6 Pair RAM Right-
Angle Header, Right
Guided, Left Endwall,
14 Columns, 252
Circuits, Pin Length
4.90mm, Plated
Through Hole
Dimension 0.39mm,
Lead Free

This document was generated on 02/26/2021

PLEASE CHECK WWW.MOLEX.COM FOR LATEST PART INFORMATION