

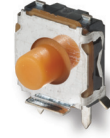
# KSC4V2 Series Side Actuated Sealed Tact Switch

## Features/Benefits

- Full SMD side actuated
- Haptic adaptability
- Pin in paste terminations
- Tape & reel
- IP67

## Typical Applications

- Automotive
- Industrial electronics
- Network equipment
- Telecommunications



Tactile Switches

## Specification

FUNCTION: momentary action  
 CONTACT ARRANGEMENT: 1 make contact = SPST, N.O.  
 TERMINALS:  
 2 pin in paste signal terminals  
 3 SMD ground terminals

## Mechanical

| Type                       | Force (N)   | Operating Life (operations) | Travel (mm) |
|----------------------------|-------------|-----------------------------|-------------|
| KSC441V2 70SH SP DELTA LFS | 3.5 ± 1.0   | 300,000                     | 0.7 ± 0.2   |
| KSC421V270SHLFS            | 1.55 ± 0.45 | 300,000                     | 0.45 ± 0.25 |

NOTE: Basic version is based on KSC441V2 SPDELTA LFS.  
 Other configurations of haptics are available upon demand.

MISUSE OVERLOAD: 40N with back support  
 SHEAR FORCE: 10N without back support

## Electrical

|                  | Silver | Gold   |
|------------------|--------|--------|
| MAXIMUM POWER:   | 1 VA   | 0.2 VA |
| MAXIMUM VOLTAGE: | 32 VDC | 32 VDC |
| MINIMUM VOLTAGE: | 20 mV  | 20 mV  |
| MAXIMUM CURRENT: | 50 mA  | 10 mA  |
| MINIMUM CURRENT: | 1 mA   | 0.1 mA |

DIELECTRIC STRENGTH (50 Hz, 1 min.): ≥ 250 Vrms  
 CONTACT RESISTANCE: ≤ 100 mΩ  
 INSULATION RESISTANCE (100 V, initial stage): > 10<sup>9</sup> Ω  
 BOUNCE TIME: < 1 ms

## Environmental

|                        | Silver        | Gold           |
|------------------------|---------------|----------------|
| OPERATING TEMPERATURE: | -40°C to 85°C | -40°C to 125°C |
| STORAGE TEMPERATURE:   | -55°C to 85°C | -55°C to 125°C |

## Process

SOLDERING: Depending on the application, this component is suited to the following methods:

- Cleaning according to typical washing processes.
- Lead free reflow soldering process in accordance with IEC 61760-1.

TERMINALS: pin in paste, silver or gold plated

TOP PLATE: tin plated

MSL level: 1

Vacuum pick head mandatory

## Packaging

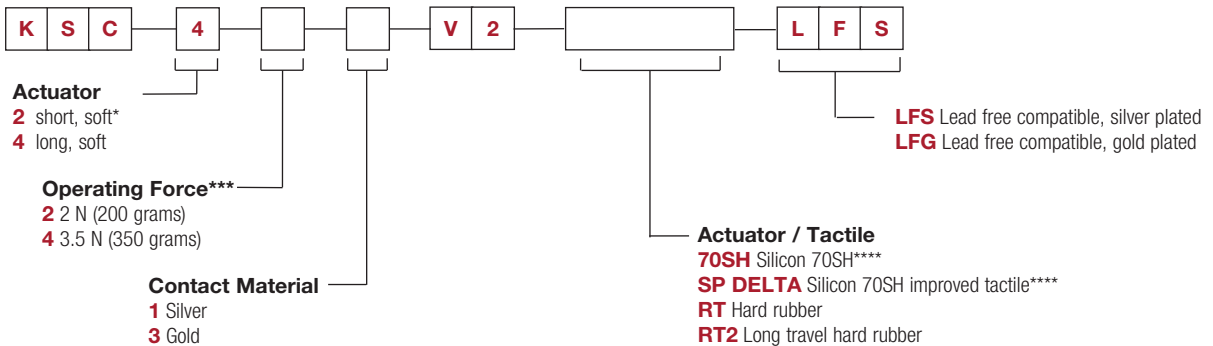
In reels of 800 pieces.  
 Dimensions of reels according to EIA RS481 or IEC 2863.  
 External diameter 380 mm ± 2 mm.

NOTE: This product is designed and manufactured for general electronic devices.  
 For systems where reliability and safety are required, please contact your sales representative to secure product integration and function to secure usage.

## How To Order

Our easy build-a-switch concept allows you to mix and match options to create the switch you need. To order, select desired option from each category and place it in the appropriate box.

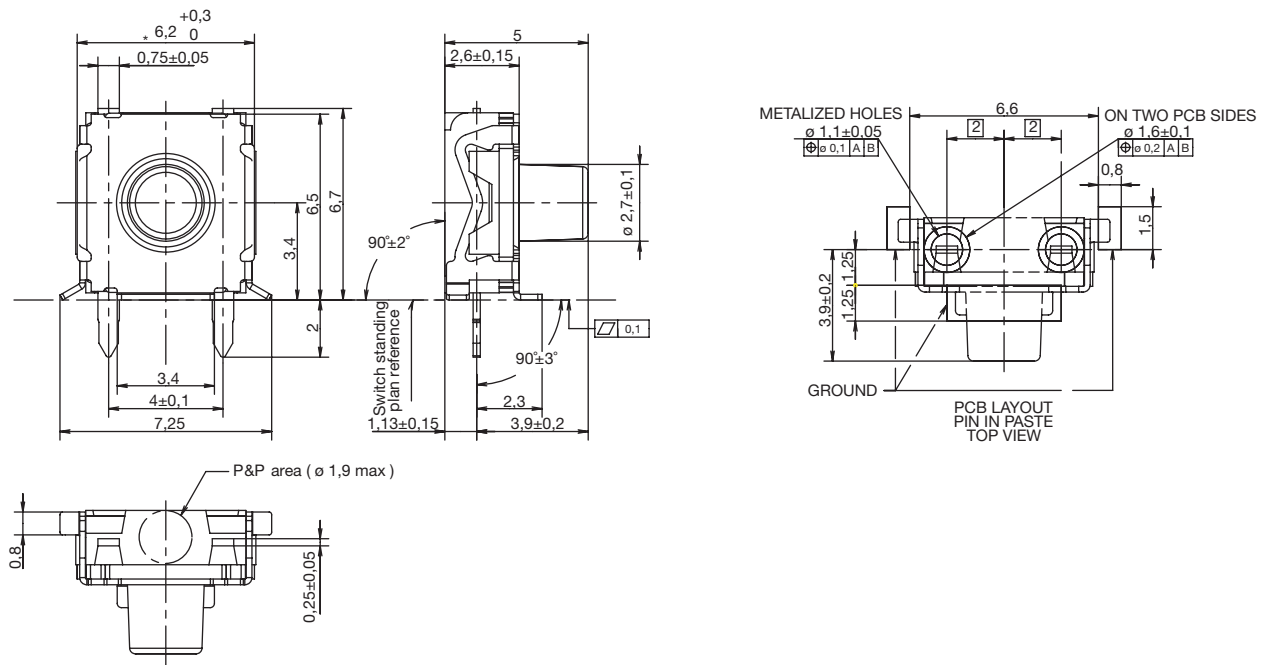
**For any part number different from those listed above, please consult your local representative.**



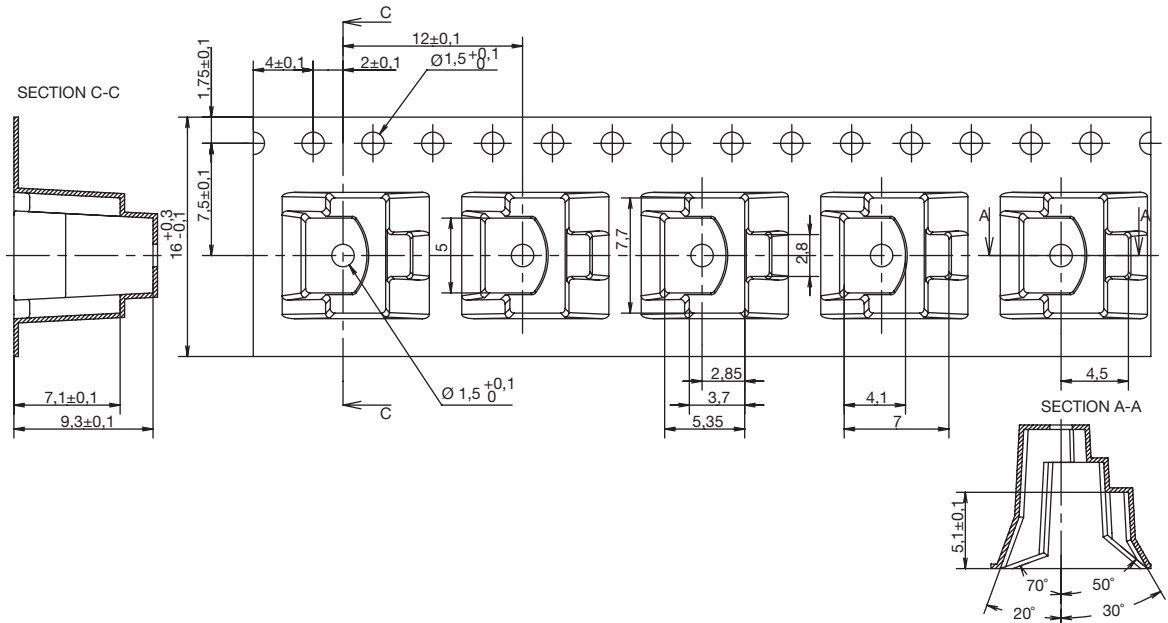
\* KSC2 version available upon demand  
 \*\*\* Force available upon demand (variant version)  
 \*\*\*\* Available for KSC4 only

# KSC4V2 Series Side Actuated Sealed Tact Switch

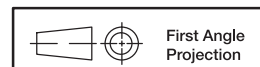
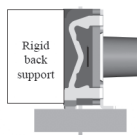
B Tactile Switches



## TAPE AND REEL



## INTEGRATION



First Angle  
Projection

Dimensions are shown: mm

Specifications and dimensions subject to change