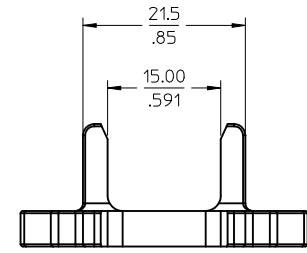
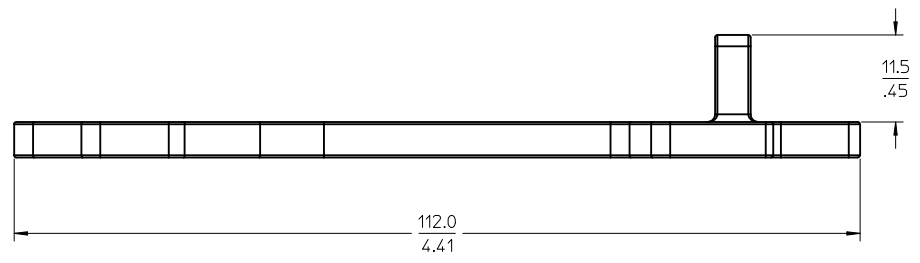
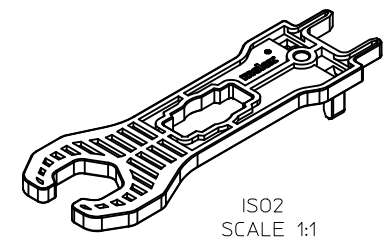
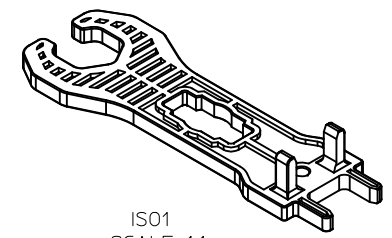
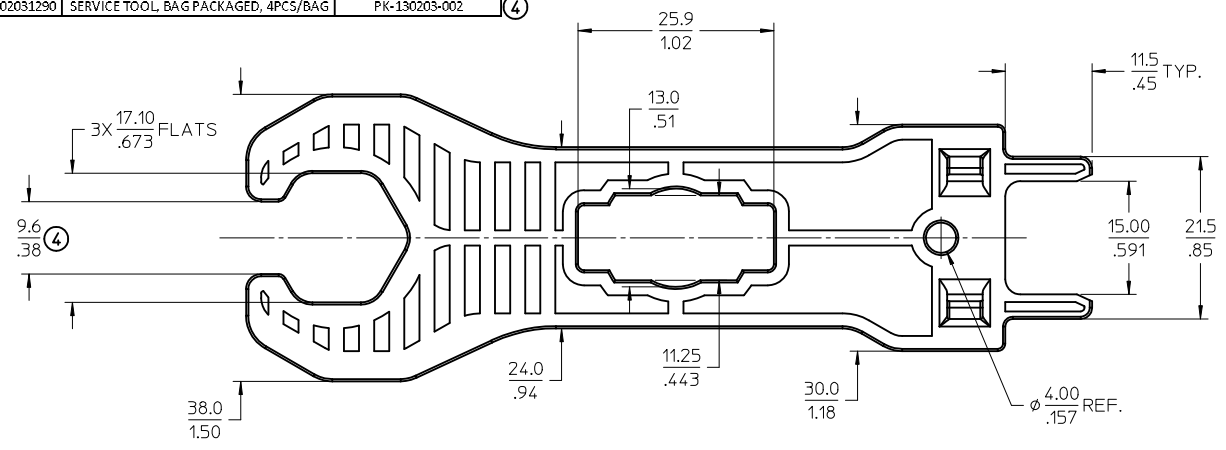


MATERIAL NUMBER	DESCRIPTION	PACKAGING SPECIFICATION
1302031250	SERVICE TOOL, BULK PACKAGED	PK-130203-001
1302031290	SERVICE TOOL, BAG PACKAGED, 4PCS/BAG	PK-130203-002

④



NOTES:

1. MATERIAL: POLYAMIDE 66 (PA66)
2. FINISH: BLACK
3. PRODUCT SPECIFICATION: PS-130244-001
- ④ 4. PACKAGING SPECIFICATION: SEE CHART
5. APPLICATION SPECIFICATION: AS-130244-001
6. USE WITH: 130244 SERIES HOUSING ASSEMBLIES

REV	DESCRIPTION	DATE	APPROVED BY	CHKD BY	DRWN BY	EC NO
4	UPDATE PER FPR/ADD MATL#	2011/01/18	DTITUS	DTITUS	WNA	2011-0358

QUALITY SYMBOLS	VALUE
\blacktriangledown	=0
∇	=0

GENERAL TOLERANCES (UNLESS SPECIFIED)	
4 PLACES	\pm ---
3 PLACES	\pm ---
2 PLACES	\pm 0.25
1 PLACE	\pm 0.5
ANGULAR \pm 3°	
DRAFT WHERE APPLICABLE MUST REMAIN WITHIN DIMENSIONS	

DIMENSION STYLE	
MM/IN	
DRAWN BY	DATE
CLYORK	2010/04/15
CHECKED BY	DATE
DTITUS	2010/04/15
APPROVED BY	DATE
DTITUS	2010/05/07
MATERIAL NO.	
SEE CHART	
SIZE	
C	

SCALE	DESIGN UNITS	THIRD ANGLE PROJECTION
2:1	METRIC	
TITLE		
UNLOCK TOOL, PV SOLAR DC CONNECTOR		
MATERIAL NO.		
SEE CHART		
DOCUMENT NO.		
SD-130203-001		
SHEET NO.		1 OF 1