

# MF11



**CANTHERM**

*Supplying high-quality bimetal and thermal sensor products.*

TEMPERATURE COMPENSATION  
NTC THERMISTOR (MF11)



**CANTHERM**

*Supplying high-quality bimetal and thermal sensor products.*

8415 Mountain Sights Avenue • Montreal (Quebec), H4P 2B8, Canada

Tel: (514) 739-3274 • 1-800-561-7207 • Fax: (514) 739-2902 • E-mail: sales@cantherm.com

Website: [www.cantherm.com](http://www.cantherm.com) | Division of Microtherm

2010/June MF11

# MF11



## Temperature Compensation

**NTC Thermistor** The MF11 series of NTC Thermistors is designed for temperature measurement and the temperature compensation of measurement instruments and electronic circuits.

Part No	Rated zero-power resistance at 25°C		B Value (25/50°C)	
	Resistance range (Ω)	Allowable Tolerance (%)	Rated Value (K)	Allowable Tolerance (%)
MF11	3.3-33	+/- 5 +/- 10 +/- 20	2700	+/-5
	6.8-68		2830	
	15-150		2950	
	33-330		3100	
	68-680		3250	
	150-1500		3400	
	330-3300		3570	
	680-6800		3740	
	1500-15000		3900	
	3300-33000		4050	

Remark: We can produce thermistors according to your special requirements.

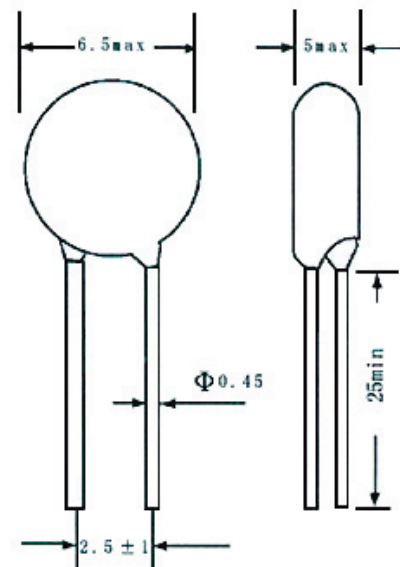
## Application

- Temperature Measurement
- Temperature Compensation of Electronic Circuits

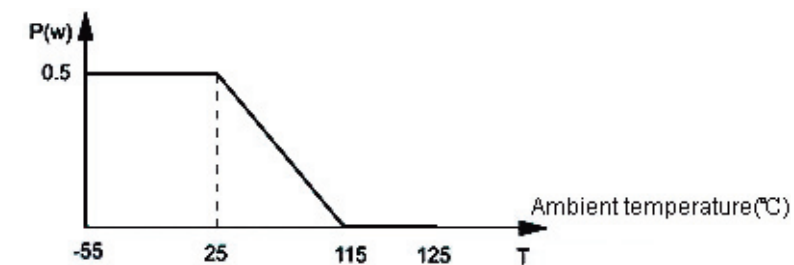
## Characteristics

- Broad range of resistance
- Wide choice of B values
- Standard tolerances: ±5%, ±10%, ±20%
- B Value tolerance: ±5%
- Available in all standard R values
- Measuring power ≤0.5mW
- Dissipation Constant ≥6.0mW/°C
- Time Constant of ≤30 seconds
- Rated Power: 0.5W
- Long-term Stability and Reliability
- Good level of Tolerance and Interchangeability
- Temperature Range: -55°C to 125°C

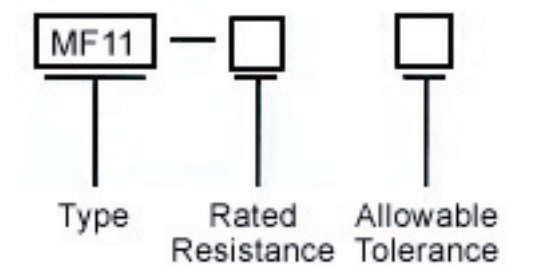
## Dimensions (mm)



## Power-Consumption curve



## Specification



**CANTHERM**

Supplying high-quality bimetal and thermal sensor products.