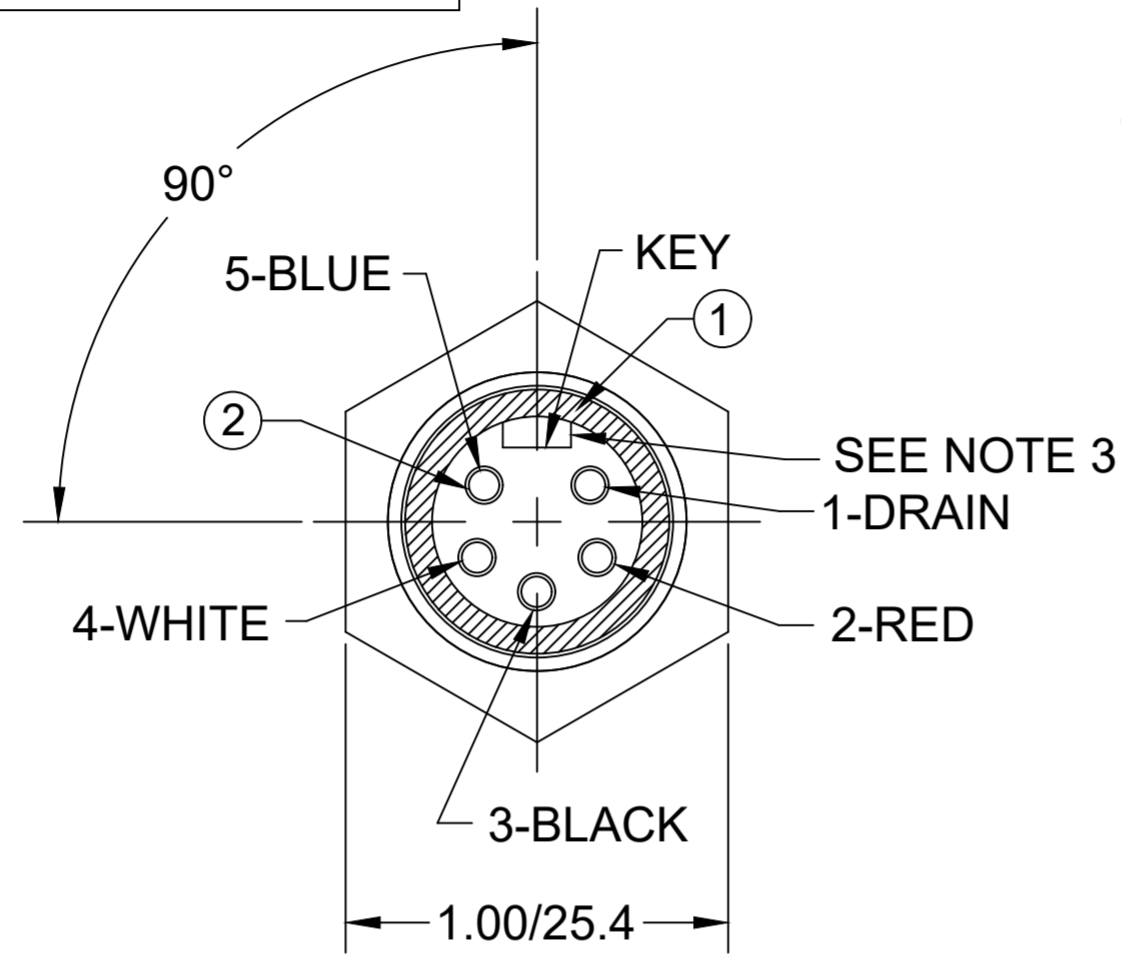


MATERIAL NUMBER	ENGINEERING NUMBER	FINISHED LENGTH
1300390283	DN5000-M005	0.5M [1 FT 7 IN]
1300390290	DN5000-M050	5M [16 FT 5 IN]
1300390292	DN5000-M100	10M [32 FT 9 IN]



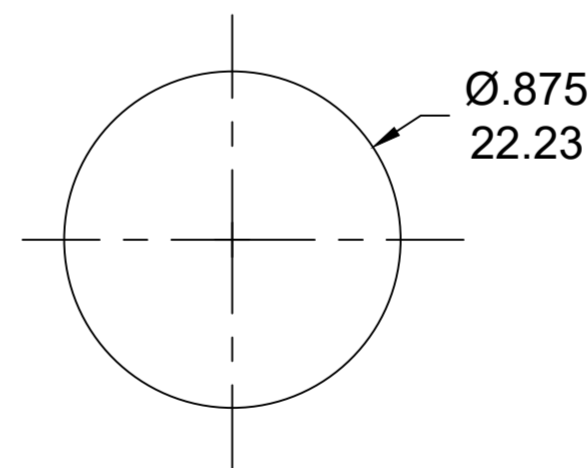
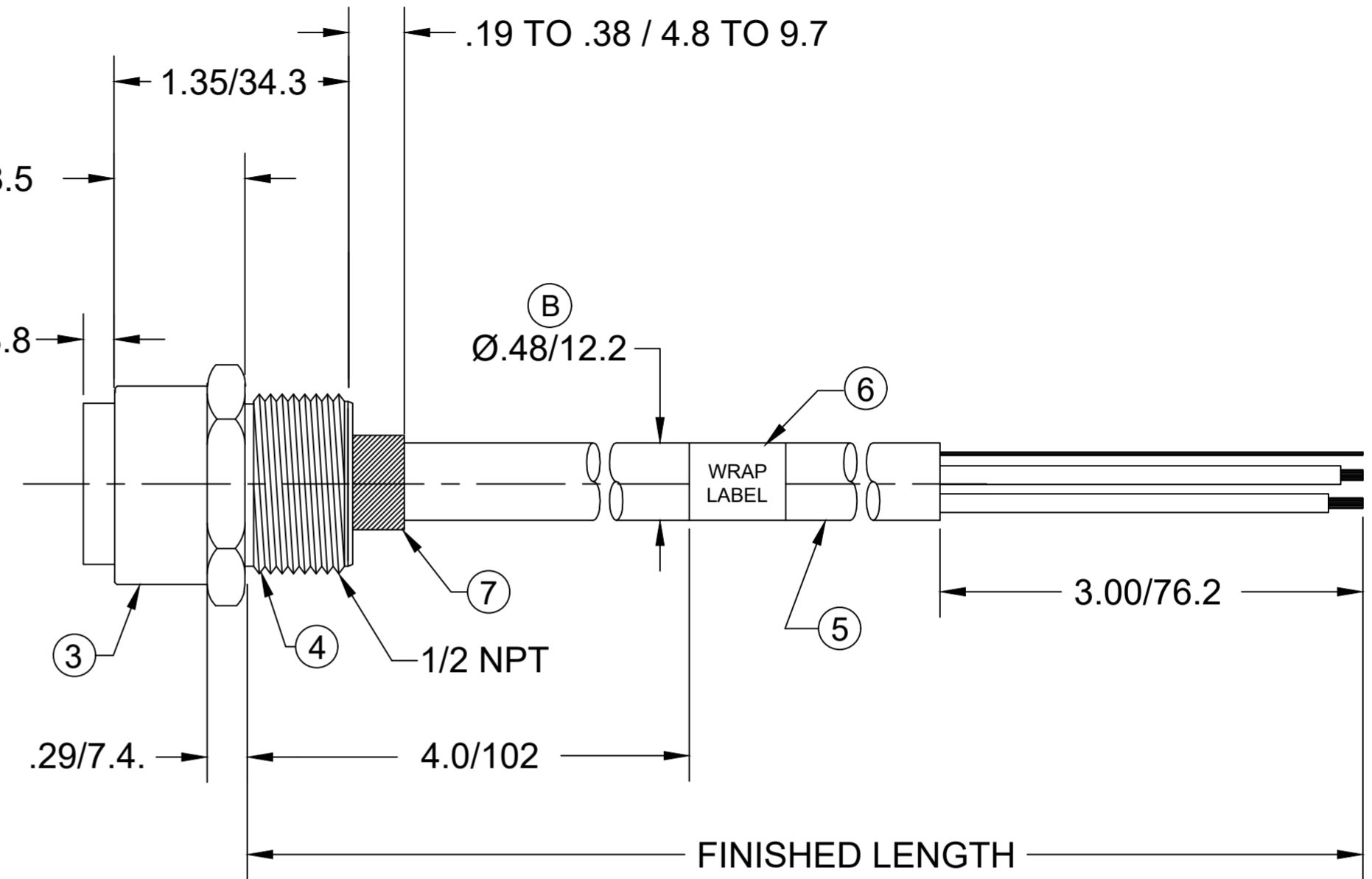
FEMALE INSERT - FRONT VIEW

NOTES:

- MATERIAL: AS NOTED
- FINISH: AS NOTED
- ELECTRICAL:  
VOLTAGE RATING PER IEC 60664: 300V  
VOLTAGE RATING PER UL: 300V  
CURRENT: 4A
- TEMP RATING: -20° TO +60°C
- PROTECTION: IP67 (WHEN MATED)
- COUPLING THREAD- 7/8-16 UN (B)
- UL LISTED FILE: E152210  
CSA CERTIFIED FILE: LR6837
- ALL DIMENSIONS ARE FOR REFERENCE UNLESS TOLERANCED OR NOTED OTHERWISE

# PART NO. MATRIX DN5000M003

LENGTH  
M005 = 0.5 METER  
M010 = 1 METER  
M100 = 10 METER



RECOMMENDED PANEL CUTOUT

CABLE LENGTH TOLERANCES	
>.3M [1FT]:	+19mm-0 [+1.75in-0]
.3 - .9M [1 - 3FT]:	+44.5mm-0 [+1.75in-0]
.9 - 1.8M [3 - 6FT]:	+55.6mm-0 [+2.19in-0]
1.8 - 3.7M [6 - 12FT]:	+88.9mm-0 [+3.50in-0]
3.7 - 7.3M [12 - 24FT]:	+165.1mm-0 [+6.50in-0]
7.3-14.6M [24 - 48FT]:	+317.5mm-0 [+12.50in-0]
14.6 - 30.5M [48-100FT]:	+622.3mm-0 [+24.50in-0]
OVER 30M [100FT]	+2% OF FINISHED LENGTH

ITEM	COMPONENT	MATERIAL	FINISH
1	INSERT	TPE	GRAY
2	CONTACT SOCKET	COPPER ALLOY	GOLD OVER NICKEL
3	RECEPTACLE SHELL	ZINC	NICKEL
4	POTTING MATERIAL	EPOXY	BLACK
5	TRUNK CABLE 2/15 & 2/18 SHIELD PAIR	PVC	GRAY
6	LABEL	VINYL	BLACK/YELLOW
7	HEAT SHRINK TUBING	POLYOLEFIN	BLACK

THIS DRAWING CONTAINS INFORMATION THAT IS PROPRIETARY TO MOLEX ELECTRONIC TECHNOLOGIES, LLC AND SHOULD NOT BE USED WITHOUT WRITTEN PERMISSION									
FUNCTIONAL SYMBOLS	DIMENSION UNITS	SCALE	CURRENT REV DESC: ITEM #1 WAS PVC. ADDED DIM(ZONEG6 & G4), COUPLING THREAD & PANEL CUTOUT. MATERIAL TABLE MODIFIED						
FA=0	INCH/MM	NTS							
FC=0	GENERAL TOLERANCES (UNLESS SPECIFIED)								
FP=0		mm	INCH						
DIVISIONAL SYMBOLS	4 PLACES	±----	±----	EC NO: 643513					
	3 PLACES	±----	±----	DRWN: ABENJAMINLW 2020/07/28					
	2 PLACES	±----	±----	CHK'D: RSTONE 2020/08/28					
	1 PLACE	±----	±----	APPR: BWOODMAN 2020/09/15					
	0 PLACES	±----	±----	INITIAL REVISION:					
	ANGULAR TOL	± ---- °		DRWN: AAKHTAR 2017/09/15					
	DRAFT WHERE APPLICABLE MUST REMAIN WITHIN DIMENSIONS			APPR: BWOODMAN 2017/10/15					
	THIRD ANGLE PROJECTION	DRAWING	SERIES	DOCUMENT NUMBER					
		C-SIZE	130039	SD-130039-062					
				MATERIAL NUMBER		CUSTOMER		SHEET NUMBER	
				SEE CHART		GENERAL MARKET		1 OF 1	

**molex**

MINI-CHANGE RECEPTACLE, A-SIZE  
5 POLE, FEMALE, STRAIGHT, SINGLE KEY,  
15/18 AWG

PRODUCT CUSTOMER DRAWING

DOCUMENT NUMBER DOC TYPE/DOC PART REVISION

SD-130039-062 PSD 001 B