

CTSPI3D15F Series

From 0.5µH to 100µH



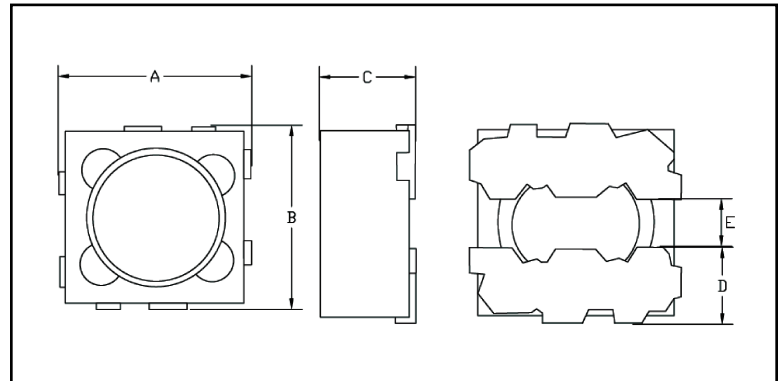
SPECIFICATIONS

Please specify tolerance code when ordering.
CTSPI3D15F-1R0 ← M = ±20%, N = ±30%

Part Number	Inductance (µH)	Tolerance (±%)	DCR Typ. (Ω)	IDC Typ. (mA)	I _{rms} Typ. (mA)	Color Coding
CTSPI3D15F-R50N	0.5	30	0.350	3100	2500	Black
CTSPI3D15F-1R0_	1.0	20, 30	0.040	2300	2400	Black
CTSPI3D15F-1R2_	1.2	20, 30	0.043	2200	2340	Brown
CTSPI3D15F-1R5_	1.5	20, 30	0.050	2000	2300	Red
CTSPI3D15F-1R8_	1.8	20, 30	0.055	1660	2100	Orange
CTSPI3D15F-2R2_	2.2	20, 30	0.071	1600	2000	Yellow
CTSPI3D15F-2R7_	2.7	20, 30	0.078	1400	1600	Green
CTSPI3D15F-3R3_	3.3	20, 30	0.087	1340	1600	Blue
CTSPI3D15F-3R9_	3.9	20, 30	0.100	1200	1500	Violet
CTSPI3D15F-4R7_	4.7	20, 30	0.137	1140	1400	Gray
CTSPI3D15F-5R6_	5.6	20, 30	0.147	1060	1200	White
CTSPI3D15F-6R8_	6.8	20, 30	0.170	1000	1150	Black
CTSPI3D15F-8R2_	8.2	20, 30	0.195	940	1100	Brown
CTSPI3D15F-100M	10	20	0.228	900	1020	Red
CTSPI3D15F-120M	12	20	0.275	880	900	Orange
CTSPI3D15F-150M	15	20	0.340	640	720	Yellow
CTSPI3D15F-180M	18	20	0.380	600	680	Green
CTSPI3D15F-220M	22	20	0.495	540	650	Blue
CTSPI3D15F-270M	27	20	0.735	500	550	Violet
CTSPI3D15F-330M	33	20	0.890	460	480	Gray
CTSPI3D15F-390M	39	20	1.000	400	420	White
CTSPI3D15F-470M	47	20	1.150	340	350	Black
CTSPI3D15F-101M	100	20	25.00	80	100	Black

PHYSICAL DIMENSIONS

Size	A	B	C Max.	D	E
mm	4.2±0.2	4.2±0.2	1.60	1.3	1.6
inches	0.165±0.008	0.165±0.008	0.063	0.051	0.063



CHARACTERISTICS

Description: SMD Shielded Power Inductors (low profile)

Applications: Cellular phones, PDAs, DVC, DSC, digital cameras, and hard disk drives

Operating Temperature: -40°C to +105°C

Testing: Inductance is tested on an HP4284A at 1KHz/1.0V

IDC: For inductance 10% or 35% from its value without current

I_{rms}: For a 25°C or 40°C rise above 25°C ambient

Packaging: Tape & Reel.

Additional Information: Additional electrical & physical information available upon request.

Samples available. See website for ordering information.

PAD LAYOUT

