

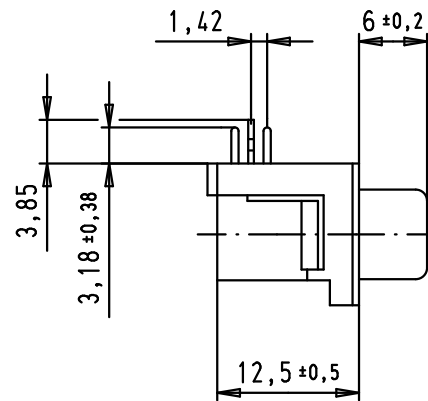
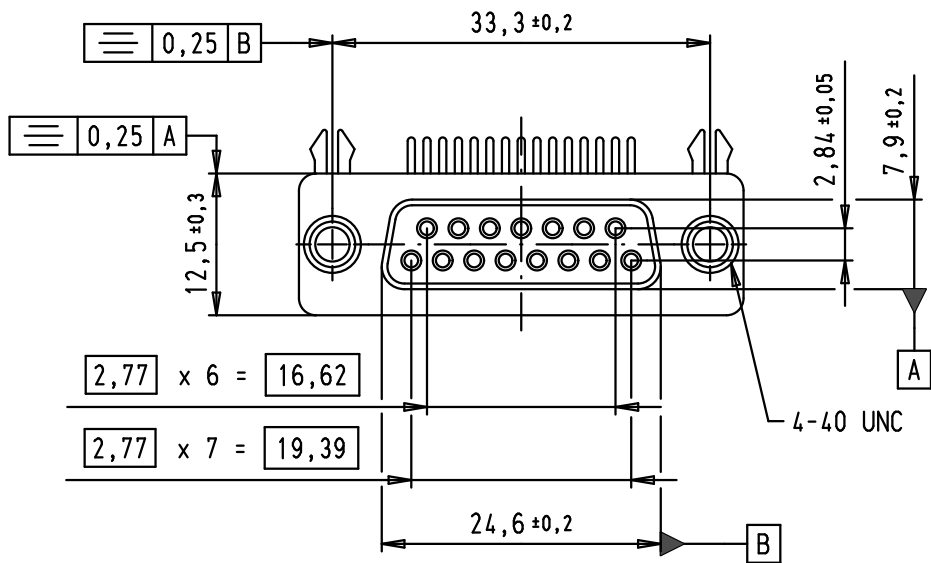
5

4

3

2

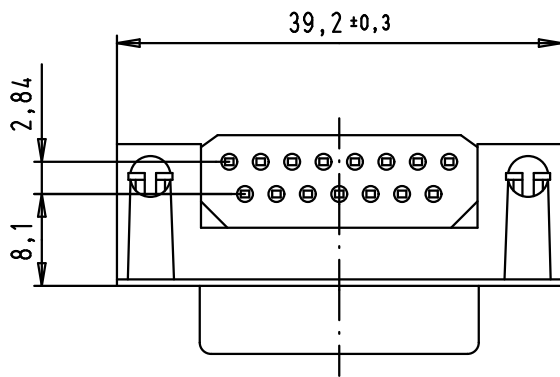
1



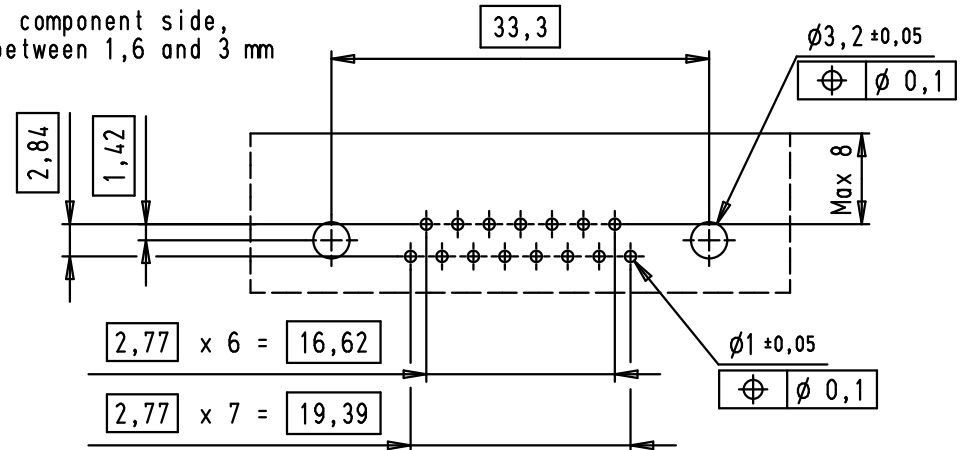
SPECIFICATIONS

FREQUENCY (MHz)	ATTENUATION (dB)
5	1
10	2
50	4
100	4,5
500	4,5
1000	4,5

Operating voltage < 250 V AC
 Working current < 7,5 A
 Insulation resistance > 10Ω
 Contact resistance < 15 mΩ
 Dielectric withstanding voltage 500 V AC / minute



PCB layout, component side, thickness between 1,6 and 3 mm



D

C

B

A

			Dot.	Name	<p>All Dim. in mm Orig. Size DIN A 4</p>	
			Detail.	02/07/09		PK
			Insp.			
			Stand.			
EC02296	06/09/10	SC	HARTING EURL			
EC00362	02/07/09	PK	F-95972 Paris			
Mod.	Dot.	Name				

D-Sub, female, angled, US footprint, 15 poles, tin plated shell, solder pins, ferrite filter	Maßstab/ Scale
	1,5:1
TB 09 64 213 7802	Blatt/ Page
Sub.	1 / 1

09 64 213 7802	PL3
Part number	Performance level