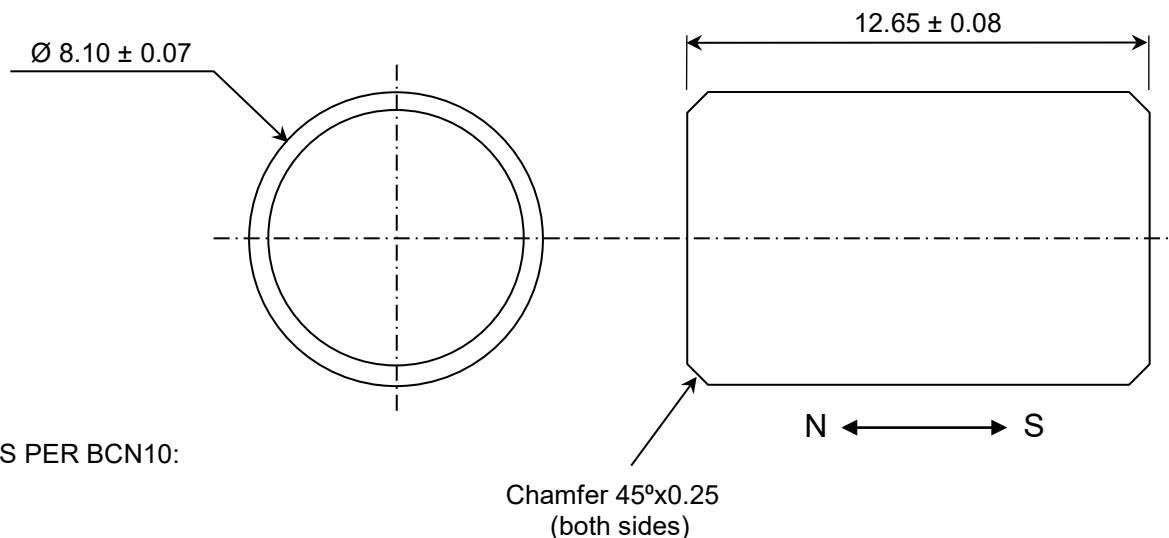


ALL DIMENSIONS ARE IN MM

CONFIDENTIAL & PROPRIETARY INFORMATION
 This document contains Confidential and Proprietary Information of Alliance LLC, and all design, manufacturing, reproduction, use, and sale rights of such information are expressly reserved



1. MAGNET PROPERTIES PER BCN10:

Br: 6,700-7,200 G
 Hc: 5,500-6,500 Oe
 Hci: $\geq 8,500$ Oe
 BH_(max): 9-11 MGOe
 T max: 120° C

2. UNCOATED

3. MAGNETIZED THROUGH LENGTH
 (can be magnetized across diameter)



Rev	Date	By

TOLERANCES
 (UNLESS OTHERWISE NOTED)

DECIMAL	METRIC
X.XX = $\pm .01$	X.X = $\pm .25$
X.XXX = $\pm .005$	X.XX = $\pm .13$

ANGLES
 $\pm .5^\circ$

DO NOT SCALE DRAWING

Alliance LLC 1450 CLARK DRIVE, VALPARAISO, INDIANA 46385		
DESCRIPTION: RARE EARTH ROD MAGNET		
P/N: YB-093-1		SENSOR MAGNET
Mat'l: Bonded NdFeB	Dwg by: BT	REV LEVEL: A
COATING: None	Apr by: DV	Apr. Dated: 03-14-2020