

## **AN-1967 LM3424 Buck-Boost Evaluation Board**

### **1 Introduction**

This wide range evaluation board showcases the LM3424 NFET controller used with a buck-boost current regulator. It is designed to drive 4 to 10 LEDs at a maximum average LED current of 1A from a DC input voltage of 10 to 70V.

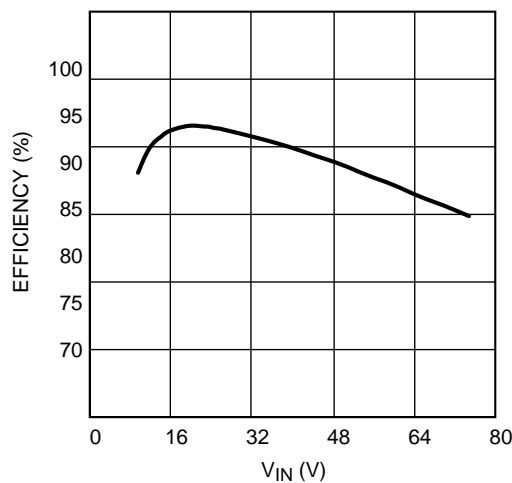
The evaluation board showcases many of the LM3424 features including thermal foldback, analog dimming, external switching frequency synchronization, and high frequency PWM dimming, among others. There are many external connection points to facilitate the full evaluation of the LM3424 device including inputs, outputs and test points. Refer to [Table 1](#) for a summary of the connectors and test points.

The buck-boost circuit can be easily redesigned for different specifications by changing only a few components (see the [Alternate Designs](#) section). Note that design modifications can change the system efficiency for better or worse.

This application note is designed to be used in conjunction with the LM3424 datasheet as a reference for the LM3424 buck-boost evaluation board. Refer to the *LM3424 Constant Current N-Channel Controller with Thermal Foldback for Driving LEDs* ([SNVS603](#)) data sheet for a comprehensive explanation of the device, design procedures, and application information.

### **2 Key Features**

- Input: 10V to 70V
- Output: 4 to 10 LEDs at 1A
- Thermal Foldback / Analog Dimming
- PWM Dimming up to 10 kHz
- External Synchronization > 500 kHz
- Input Under-voltage and Output Over-voltage Protection



**Figure 1. Efficiency with 9 Series LEDs AT 1A**

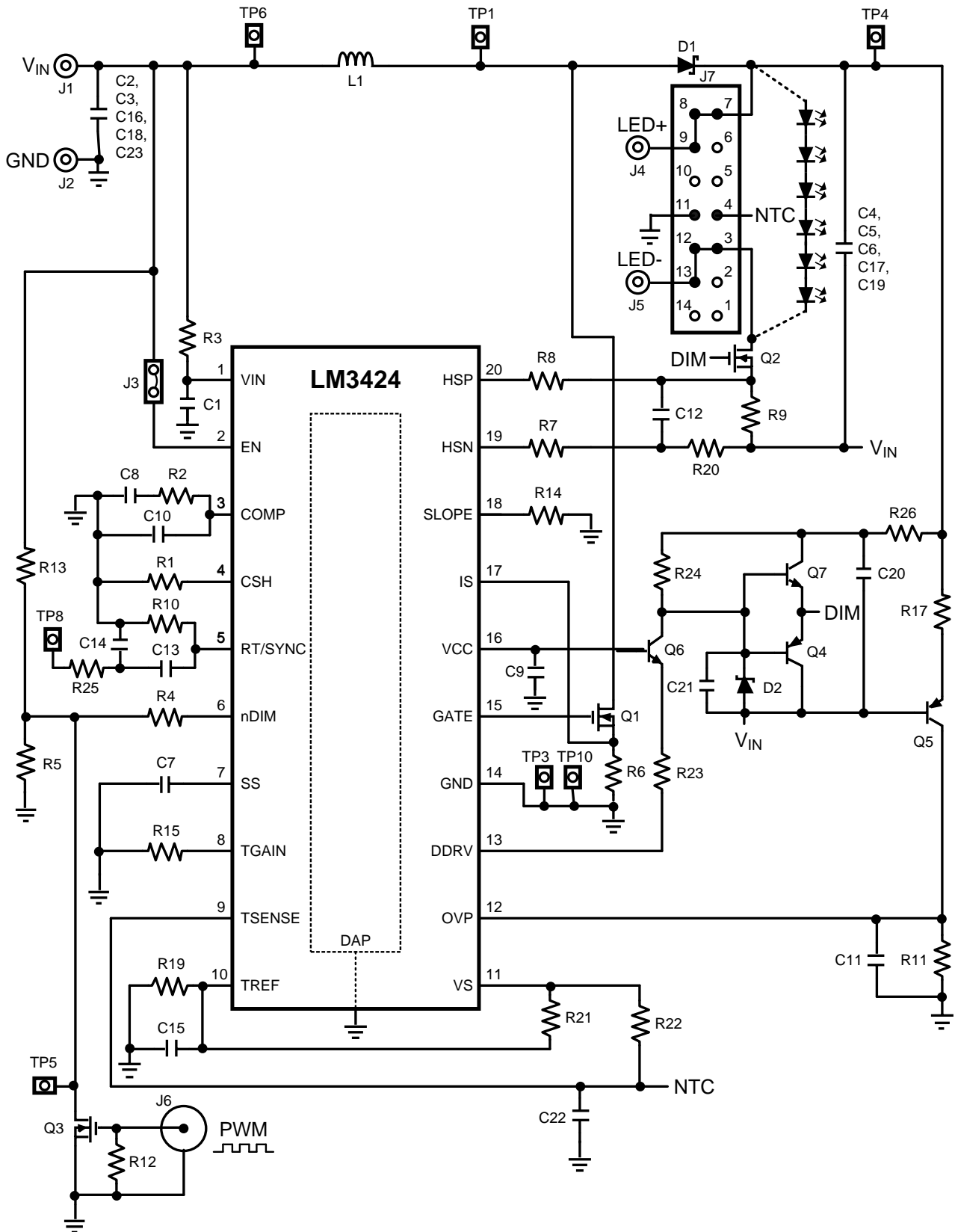
All trademarks are the property of their respective owners.

### 3 External Connection Descriptions

**Table 1. Connectors and Test Points**

Qty	Name	Description	Application Information
J1	V <sub>IN</sub>	Input Voltage	Connect to positive terminal of supply voltage.
J2	GND	Input Ground	Connect to negative terminal of supply voltage (GND).
J3	EN	Enable On/Off	Jumper connected enables device.
J4	LED+	LED Positive	Connect to anode (top) of LED string.
J5	LED-	LED Negative	Connect to cathode (bottom) of LED string.
J6	BNC	Dimming Input	Connect a 3V to 10V PWM input signal up to 10 kHz for PWM dimming the LED load.
J7	OUT	Output with NTC	Alternative connector for LED+ and LED-. Pins 4 and 11 are used for connecting an external NTC thermistor. Refer to schematic for detailed connectivity.
TP1	SW	Switch Node Voltage	Test point for switch node (where Q1, D1, and L1 connect).
TP3	SGND	Signal Ground	Connection for GND when applying signals to TP5, TP8, and TP9.
TP4	LED+	LED Positive Voltage	Test point for anode (top) of LED string.
TP5	nDIM	Inverted Dim Signal	Test point for dimming input (inverted from input signal).
TP6	V <sub>IN</sub>	Input Voltage	Test point for input voltage.
TP8	SYNC	Synchronization Input	Connect a 3V to 6V PWM clock signal > 500 kHz (pulse width of 100ns) to synchronize the LM3424 switching frequency to the external clock.
TP9	NTC	Temp Sense Input	Connect a 0V to 1.24V DC voltage to analog dim the LED current.
TP10	PGND	Power Ground	Test point for GND when monitoring TP1, TP4, or TP6.

4 Schematic



## 5 LM3424 Pin Descriptions

Pin	Name	Description	Application Information
1	$V_{IN}$	Input Voltage	Bypass with 100 nF capacitor to GND as close to the device as possible in the circuit board layout.
2	EN	Enable	Connect to > 2.4V to enable the device or to < 0.8V for low power shutdown.
3	COMP	Compensation	Connect a capacitor to GND to compensate control loop.
4	CSH	Current Sense High	Connect a resistor to GND to set the signal current. Can also be used to analog dim as explained in the <i>Thermal Foldback / Analog Dimming</i> section of the datasheet.
5	RT	Resistor Timing	Connect a resistor to GND to set the switching frequency. Can also be used to synchronize external clock as explained in the <i>Switching Frequency</i> section of the datasheet.
6	nDIM	Not DIM input	Connect a PWM signal for dimming as detailed in the <i>PWM Dimming</i> section of the datasheet and/or a resistor divider from $V_{IN}$ to program input under-voltage lockout (UVLO). Turn-on threshold is 1.24V and hysteresis for turn-off is provided by 20 $\mu$ A current source.
7	SS	Soft-start	Connect a capacitor to GND to extend start-up time.
8	TGAIN	Temperature Foldback Gain	Connect a resistor to GND to set the foldback slope.
9	TSENSE	Temperature Sense Input	Connect a resistor/ thermistor divider from $V_S$ to sense the temperature as explained in the <i>Thermal Foldback / Analog Dimming</i> section of the datasheet.
10	TREF	Temperature Foldback Reference	Connect a resistor divider from $V_S$ to set the temperature foldback reference voltage.
11	$V_S$	Voltage Reference	2.45V reference for temperature foldback circuit and other external circuitry.
12	OVP	Over-Voltage Protection	Connect to a resistor divider from $V_O$ to program output over-voltage lockout (OVLO). Turn-off threshold is 1.24V and hysteresis for turn-on is provided by 20 $\mu$ A current source.
13	DDRV	Dimming Gate Drive Output	Connect to gate of dimming MosFET.
14	GND	Ground	Connect to DAP to provide proper system GND
15	GATE	Gate Drive Output	Connect to gate of main switching MosFET.

Pin	Name	Description	Application Information
16	V <sub>CC</sub>	Internal Regulator Output	Bypass with a 2.2 $\mu$ F–3.3 $\mu$ F, ceramic capacitor to GND.
17	IS	Main Switch Current Sense	Connect to the drain of the main N-channel MosFET switch for R <sub>DS-ON</sub> sensing or to a sense resistor installed in the source of the same device.
18	SLOPE	Slope Compensation	Connect a resistor to GND to set slope of additional ramp.
19	HSN	High-Side LED Current Sense Negative	Connect through a series resistor to the negative side of the LED current sense resistor.
20	HSP	High-Side LED Current Sense Positive	Connect through a series resistor to the positive side of the LED current sense resistor.
DAP (21)	DAP	Thermal pad on bottom of IC	Connect to GND and place 6 - 9 vias to bottom layer ground pour.

## 6 Bill of Materials

Qty	Part ID	Part Value	Manufacturer	Part Number
4	C1, C5, C20, C23	0.1 $\mu$ F X7R 10% 100V	TDK	C2012X7R2A104K
4	C2, C3, C16, C18	4.7 $\mu$ F X7R 10% 100V	TDK	C5750X7R2A475K
4	C4, C6, C17, C19	10 $\mu$ F X7R 10% 50V	TDK	C5750X7R1H106K
2	C7, C22	0.47 $\mu$ F X7R 10% 16V	MURATA	GRM21BR71C474KA01L
0	C8	DNP		
1	C9	2.2 $\mu$ F X7R 10% 16V	MURATA	GRM21BR71C225KA12L
1	C10	1 $\mu$ F X7R 10% 16V	MURATA	GRM21BR71C105KA01L
1	C11	47 pF COG/NPO 5% 50V	AVX	08055A470JAT2A
1	C12	0.22 $\mu$ F X7R 10% 16V	MURATA	GRM219R71C224KA01D
3	C13, C14, C21	100 pF COG/NPO 5% 50V	MURATA	GRM2165C1H101JA01D
1	C15	1 $\mu$ F X7R 10% 16V	MURATA	GRM21BR71C105MA01L
1	D1	Schottky 100V 12A	VISHAY	12CWQ10FNPBF
1	D2	Zener 10V	ON-SEMI	BZX84C10LT1G
4	J1, J2, J4, J5	Banana Jack	KEYSTONE	575-8
1	J3	1x2 Header Male	SAMTEC	TSW-102-07-T-S
1	J6	BNC connector	AMPHENOL	112536
1	J7	2x7 Header Male Shrouded RA	SAMTEC	TSSH-107-01-SDRA
1	L1	33 $\mu$ H 20% 6.3A	COILCRAFT	MSS1278-333MLB
2	Q1, Q2	NMOS 100V 32A	FAIRCHILD	FDD3682
1	Q3	NMOS 60V 260mA	ON-SEMI	2N7002ET1G
1	Q4	PNP 40V 200mA	FAIRCHILD	MMBT5087
1	Q5	PNP 150V 600 mA	FAIRCHILD	MMBT5401
1	Q6	NPN 300V 600mA	FAIRCHILD	MMBTA42
1	Q7	NPN 40V 200mA	FAIRCHILD	MMBT6428
2	R1, R11	12.4 k $\Omega$ 1%	VISHAY	CRCW080512K4FKEA
0	R2	DNP		
3	R3, R20, R26	10 $\Omega$ 1%	VISHAY	CRCW080510R0FKEA
1	R4	17.4 k $\Omega$ 1%	VISHAY	CRCW080517K4FKEA
1	R5	1.43 k $\Omega$ 1%	VISHAY	CRCW08051K43FKEA

1	R6	0.04Ω 1% 1W	VISHAY	WSL2512R0400FEA
2	R7, R8	1.0 kΩ 1%	VISHAY	CRCW08051K00FKEA
1	R9	0.1Ω 1% 1W	VISHAY	WSL2512R1000FEA
1	R10	14.3 kΩ 1%	VISHAY	CRCW080514K3FKEA
4	R12, R13, R14, R15	10.0 kΩ 1%	VISHAY	CRCW080510K0FKEA
1	R17	499 kΩ 1%	VISHAY	CRCW0805499KFKEA
3	R19, R21, R22	49.9 kΩ 1%	VISHAY	CRCW080549K9FKEA
1	R23	499Ω 1%	VISHAY	CRCW0805499RFKEA
1	R24	4.99 kΩ 1%	VISHAY	CRCW08054K99FKEA
1	R25	150Ω 1%	VISHAY	CRCW0805150RFKEA
8	TP1, TP3, TP4, TP5, TP6, TP8, TP9, TP10	Turret	Keystone	1502-2
1	U1	Buck-boost controller	TI	LM3424

7 PCB Layout

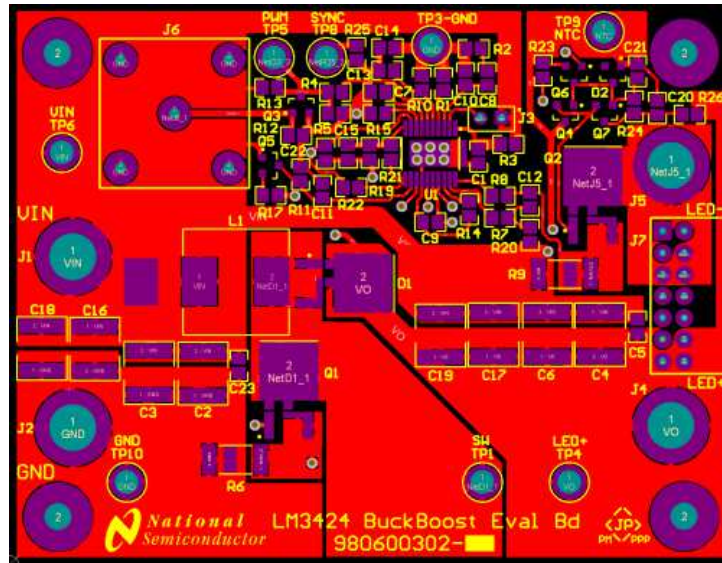


Figure 2. Top Layer

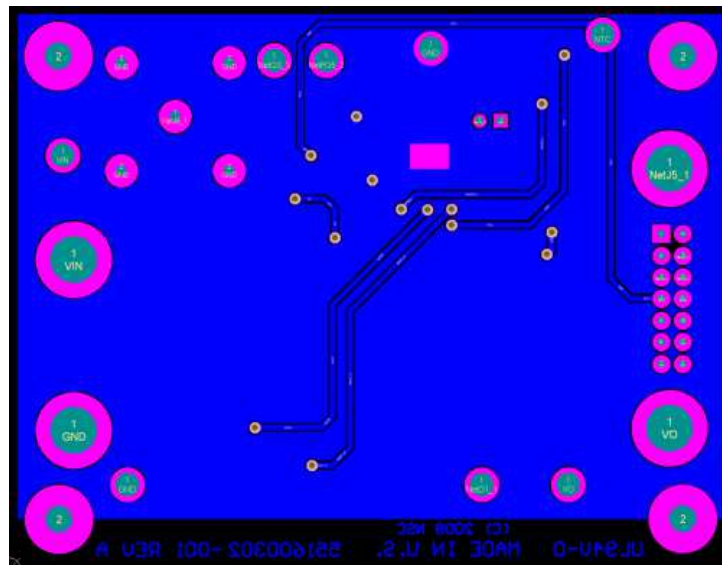


Figure 3. Bottom Layer

## 8 Design Procedure

### 8.1 Specifications

$$N = 6$$

$$V_{LED} = 3.5V$$

$$r_{LED} = 325 \text{ m}\Omega$$

$$V_{IN} = 24V$$

$$V_{IN-MIN} = 10V$$

$$V_{IN-MAX} = 70V$$

$$f_{SW} = 500 \text{ kHz}$$

$$V_{SNS} = 100 \text{ mV}$$

$$I_{LED} = 1A$$

$$\Delta i_{L-PP} = 700 \text{ mA}$$

$$\Delta i_{LED-PP} = 12 \text{ mA}$$

$$\Delta v_{IN-PP} = 100 \text{ mV}$$

$$I_{LIM} = 6A$$

$$V_{TURN-ON} = 10V$$

$$V_{HYS} = 3V$$

$$V_{TURN-OFF} = 50V$$

$$V_{HYSO} = 10V$$

$$T_{BK} = 45^\circ\text{C}$$

$$T_{END} = 125^\circ\text{C}$$

$$t_{TSU} = 40 \text{ ms}$$

### 8.2 Operating Point

Solve for  $V_O$  and  $r_D$ :

$$V_O = N \times V_{LED} = 6 \times 3.5V = 21V \quad (1)$$

$$r_D = N \times r_{LED} = 6 \times 325 \text{ m}\Omega = 1.95\Omega \quad (2)$$

Solve for  $D$ ,  $D'$ ,  $D_{MAX}$ , and  $D_{MIN}$ :

$$D = \frac{V_O}{V_O + V_{IN}} = \frac{21V}{21V + 24V} = 0.467 \quad (3)$$

$$D' = 1 - D = 1 - 0.467 = 0.533 \quad (4)$$

$$D_{MIN} = \frac{V_O}{V_O + V_{IN-MAX}} = \frac{21V}{21V + 70V} = 0.231 \quad (5)$$

$$D_{MAX} = \frac{V_O}{V_O + V_{IN-MIN}} = \frac{21V}{21V + 10V} = 0.677 \quad (6)$$

### 8.3 Switching Frequency

Solve for  $R_T$ :

$$R_{10} = \frac{1 + 1.95e^{-8} \times f_{SW}}{1.40e^{-10} \times f_{SW}} = \frac{1 + 1.95e^{-8} \times 500 \text{ kHz}}{1.40e^{-10} \times 500 \text{ kHz}} = 14.4 \text{ k}\Omega \quad (7)$$



The closest standard resistor is 14.3 kΩ therefore  $f_{SW}$  is:

$$f_{SW} = \frac{1}{1.40e^{-10} \times R10 - 1.95e^{-8}}$$

$$f_{SW} = \frac{1}{1.40e^{-10} \times 14.3 \text{ k}\Omega - 1.95e^{-8}} = 504 \text{ kHz} \quad (8)$$

The chosen component from step 2 is:

$$R10 = 14.3 \text{ k}\Omega \quad (9)$$

### 8.4 Average LED Current

Solve for  $R_{SNS}$ :

$$R9 = \frac{V_{SNS}}{I_{LED}} = \frac{100 \text{ mV}}{1 \text{ A}} = 0.1\Omega \quad (10)$$

Assume  $R_{CSH} = 12.4 \text{ k}\Omega$  and solve for  $R_{HSP}$ :

$$R8 = \frac{I_{LED} \times R1 \times R9}{1.24 \text{ V}} = \frac{1 \text{ A} \times 1.24 \text{ k}\Omega \times 0.1\Omega}{1.24 \text{ V}} = 1.0 \text{ k}\Omega \quad (11)$$

The closest standard resistor for  $R_{SNS}$  is actually 0.1Ω and for  $R_{HSP}$  is actually 1 kΩ therefore  $I_{LED}$  is:

$$I_{LED} = \frac{1.24 \text{ V} \times R8}{R9 \times R1} = \frac{1.24 \text{ V} \times 1.0 \text{ k}\Omega}{0.1\Omega \times 1.24 \text{ k}\Omega} = 1.0 \text{ A} \quad (12)$$

The chosen components from step 3 are:

$$\begin{aligned} R9 &= 0.1\Omega \\ R1 &= 12.4 \text{ k}\Omega \\ R8 &= R7 = 1 \text{ k}\Omega \end{aligned} \quad (13)$$

### 8.5 Thermal Foldback

Using a standard 100k NTC thermistor (connected to pins 4 and 11 of J7), find the resistances corresponding to  $T_{BK}$  and  $T_{END}$  ( $R_{NTC-BK} = 243 \text{ k}\Omega$  and  $R_{NTC-END} = 71.5 \text{ k}\Omega$ ) from the manufacturer's datasheet. Assuming  $R_{REF1} = R_{REF2} = 49.9 \text{ k}\Omega$ , then  $R_{BIAS} = R_{NTC-BK} = 243 \text{ k}\Omega$ .

Solve for  $R_{GAIN}$ :

$$R_{GAIN} = \frac{\left( \frac{R19}{R19 + R21} - \frac{R_{NTC-END}}{R_{NTC-END} + R22} \right) \times 2.45 \text{ V}}{I_{CSH}}$$

$$R_{GAIN} = \frac{\left( \frac{1}{2} - \frac{6.34 \text{ k}\Omega}{6.34 \text{ k}\Omega + 49.9 \text{ k}\Omega} \right) \times 2.45 \text{ V}}{100 \mu\text{A}} = 9.49 \text{ k}\Omega \quad (14)$$

The chosen components from step 4 are:

$$\begin{aligned} R15 &= 10 \text{ k}\Omega \\ R19 &= R21 = R22 = 49.9 \text{ k}\Omega \end{aligned} \quad (15)$$

### 8.6 Inductor Ripple Current

Solve for L1:

$$L1 = \frac{V_{IN} \times D}{\Delta i_{L-PP} \times f_{SW}} = \frac{24 \text{ V} \times 0.467}{700 \text{ mA} \times 504 \text{ kHz}} = 32 \mu\text{H} \quad (16)$$

The closest standard inductor is 33 μH therefore  $\Delta i_{L-PP}$  is:

$$\Delta i_{L-PP} = \frac{V_{IN} \times D}{L1 \times f_{SW}} = \frac{24 \text{ V} \times 0.467}{33 \mu\text{H} \times 504 \text{ kHz}} = 674 \text{ mA} \quad (17)$$

Determine minimum allowable RMS current rating:

$$I_{L-RMS} = \frac{I_{LED}}{D'} \times \sqrt{1 + \frac{1}{12} \times \left( \frac{\Delta i_{L-PP} \times D'}{I_{LED}} \right)^2}$$

$$I_{L-RMS} = \frac{1A}{0.533} \times \sqrt{1 + \frac{1}{12} \times \left( \frac{674 \text{ mA} \times 0.533}{1A} \right)^2} = 1.89A \quad (18)$$

The chosen component from step 5 is:

$$L1 = 33 \mu H \quad (19)$$

## 8.7 Output Capacitance

Solve for  $C_O$ :

$$C_O = \frac{I_{LED} \times D}{r_D \times \Delta i_{LED-PP} \times f_{SW}}$$

$$C_O = \frac{1A \times 0.467}{1.95 \Omega \times 12 \text{ mA} \times 504 \text{ kHz}} = 39.6 \mu F \quad (20)$$

The closest capacitance totals 40  $\mu F$  therefore  $\Delta i_{LED-PP}$  is:

$$\Delta i_{LED-PP} = \frac{I_{LED} \times D}{r_D \times C_O \times f_{SW}}$$

$$\Delta i_{LED-PP} = \frac{1A \times 0.467}{1.95 \Omega \times 40 \mu F \times 504 \text{ kHz}} = 12 \text{ mA} \quad (21)$$

Determine minimum allowable RMS current rating:

$$I_{CO-RMS} = I_{LED} \times \sqrt{\frac{D_{MAX}}{1 - D_{MAX}}} = 1A \times \sqrt{\frac{0.677}{1 - 0.677}} = 1.45A \quad (22)$$

The chosen components from step 6 are:

$$C4 = C6 = C17 = C19 = 10 \mu F \quad (23)$$

## 8.8 Peak Current Limit

Solve for  $R_{LIM}$ :

$$R6 = \frac{245 \text{ mV}}{I_{LIM}} = \frac{245 \text{ mV}}{6A} = 0.041 \Omega \quad (24)$$

The closest standard resistor is 0.04  $\Omega$  therefore  $I_{LIM}$  is:

$$I_{LIM} = \frac{245 \text{ mV}}{R6} = \frac{245 \text{ mV}}{0.04 \Omega} = 6.13A \quad (25)$$

The chosen component from step 7 is:

$$R6 = 0.04 \Omega \quad (26)$$

## 8.9 Slope Compensation

Solve for  $R_{SLP}$ :

$$R15 = \frac{1.5e^{13} \times L1}{V_O \times R10 \times R9}$$

$$R15 = \frac{1.5e^{13} \times 33 \mu H}{35V \times 14.3 \text{ k}\Omega \times 0.1 \Omega} = 9.9 \text{ k}\Omega \quad (27)$$

The chosen component from step 8 is:

$$\boxed{R_{SLP} = 10 \text{ k}\Omega} \quad (28)$$

### 8.10 Loop Compensation

$\omega_{P1}$  is approximated:

$$\omega_{P1} = \frac{1+D}{r_D \times C_O} = \frac{1.467}{1.95\Omega \times 40 \mu\text{F}} = 19\text{k} \frac{\text{rad}}{\text{sec}} \quad (29)$$

$\omega_{Z1}$  is approximated:

$$\omega_{Z1} = \frac{r_D \times D^2}{D \times L1} = \frac{1.95\Omega \times 0.533^2}{0.467 \times 33\mu\text{H}} = 36\text{k} \frac{\text{rad}}{\text{sec}} \quad (30)$$

$T_{U0}$  is approximated:

$$T_{U0} = \frac{D' \times 620\text{V}}{(1+D) \times I_{LED} \times R6} = \frac{0.533 \times 620\text{V}}{1.467 \times 1\text{A} \times 0.04\Omega} = 5630 \quad (31)$$

To ensure stability, calculate  $\omega_{P2}$ :

$$\omega_{P2} = \frac{\min(\omega_{P1}, \omega_{Z1})}{5 \times T_{U0}} = \frac{\omega_{Z1}}{5 \times 5630} = \frac{19\text{k} \frac{\text{rad}}{\text{sec}}}{5 \times 5630} = 0.675 \frac{\text{rad}}{\text{sec}} \quad (32)$$

Solve for  $C_{CMP}$ :

$$C10 = \frac{1}{\omega_{P2} \times 5e^6 \Omega} = \frac{1}{0.675 \frac{\text{rad}}{\text{sec}} \times 5e^6 \Omega} = 0.30 \mu\text{F} \quad (33)$$

To attenuate switching noise, calculate  $\omega_{P3}$ :

$$\begin{aligned} \omega_{P3} &= (\max(\omega_{P1}, \omega_{Z1}) \times 10 = \omega_{P1} \times 10 \\ \omega_{P3} &= 36\text{k} \frac{\text{rad}}{\text{sec}} \times 10 = 360\text{k} \frac{\text{rad}}{\text{sec}} \end{aligned} \quad (34)$$

Assume  $R_{FS} = 10\Omega$  and solve for  $C_{FS}$ :

$$C12 = \frac{1}{10\Omega \times \omega_{P3}} = \frac{1}{10\Omega \times 360\text{k} \frac{\text{rad}}{\text{sec}}} = 0.28 \mu\text{F} \quad (35)$$

The chosen components from step 9 are:

$$\boxed{\begin{aligned} C10 &= 1 \mu\text{F} \\ R20 &= 10\Omega \\ C12 &= 0.22 \mu\text{F} \end{aligned}} \quad (36)$$

### 8.11 Input Capacitance

Solve for the minimum  $C_{IN}$ :

$$C_{IN} = \frac{I_{LED} \times D}{\Delta V_{IN-PP} \times f_{SW}} = \frac{1\text{A} \times 0.467}{100 \text{ mV} \times 504 \text{ kHz}} = 9.27 \mu\text{F} \quad (37)$$

To minimize power supply interaction a 200% larger capacitance of approximately 20  $\mu\text{F}$  is used, therefore the actual  $\Delta V_{IN-PP}$  is much lower. Since high voltage ceramic capacitor selection is limited, four 4.7  $\mu\text{F}$  X7R capacitors are chosen.

Determine minimum allowable RMS current rating:

$$I_{IN-RMS} = I_{LED} \times \sqrt{\frac{D_{MAX}}{1-D_{MAX}}} = 1\text{A} \times \sqrt{\frac{0.677}{1-0.677}} = 1.45\text{A} \quad (38)$$

The chosen components from step 10 are:

$$\boxed{C2 = C3 = C16 = C18 = 4.7 \mu\text{F}} \quad (39)$$

### 8.12 NFET

Determine minimum Q1 voltage rating and current rating:

$$V_{T-MAX} = V_{IN-MAX} + V_O = 70V + 21V = 91V \quad (40)$$

$$I_{T-MAX} = \frac{0.677}{1 - 0.677} \times 1A = 2.1A \quad (41)$$

A 100V NFET is chosen with a current rating of 32A due to the low  $R_{DS-ON} = 50 \text{ m}\Omega$ . Determine  $I_{T-RMS}$  and  $P_T$ :

$$I_{T-RMS} = \frac{I_{LED}}{D'} \times \sqrt{D} = \frac{1A}{0.533} \times \sqrt{0.467} = 1.28A \quad (42)$$

$$P_T = I_{T-RMS}^2 \times R_{DS-ON} = 1.28A^2 \times 50 \text{ m}\Omega = 82 \text{ mW} \quad (43)$$

The chosen component from step 11 is:

$$\boxed{Q1 \rightarrow 32A, 100V, DPAK} \quad (44)$$

### 8.13 Diode

Determine minimum D1 voltage rating and current rating:

$$V_{RD-MAX} = V_{IN-MAX} + V_O = 70V + 21V = 91V \quad (45)$$

$$I_{D-MAX} = I_{LED} = 1A \quad (46)$$

A 100V diode is chosen with a current rating of 12A and  $V_D = 600 \text{ mV}$ . Determine  $P_D$ :

$$P_D = I_D \times V_{FD} = 1A \times 600 \text{ mV} = 600 \text{ mW} \quad (47)$$

The chosen component from step 12 is:

$$\boxed{D1 \rightarrow 12A, 100V, DPAK} \quad (48)$$

### 8.14 Input UVLO

Solve for  $R_{UV2}$ :

$$R4 = \frac{R5 \times (V_{HYS} - 20 \mu A \times R13)}{20 \mu A \times (R5 + R13)}$$

$$R4 = \frac{1.43 \text{ k}\Omega \times (3V - 20 \mu A \times 10 \text{ k}\Omega)}{20 \mu A \times (1.43 \text{ k}\Omega + 10 \text{ k}\Omega)} = 17.5 \text{ k}\Omega \quad (49)$$

The closest standard resistor is 150 k $\Omega$  therefore  $V_{HYS}$  is:

$$V_{HYS} = \frac{20 \mu A \times R4 \times (R5 + R13)}{R5} + 20 \mu A \times R13$$

$$V_{HYS} = \frac{20 \mu A \times 17.4 \text{ k}\Omega \times (1.43 \text{ k}\Omega + 10 \text{ k}\Omega)}{1.43 \text{ k}\Omega} + 20 \mu A \times 10 \text{ k}\Omega = 2.98V \quad (50)$$

Solve for  $R_{UV1}$ :

$$R5 = \frac{1.24V \times R13}{V_{TURN-ON} - 1.24V} = \frac{1.24V \times 10 \text{ k}\Omega}{10V - 1.24V} = 1.42 \text{ k}\Omega \quad (51)$$

The closest standard resistor is 21 k $\Omega$  making  $V_{TURN-ON}$ :

$$V_{TURN-ON} = \frac{1.24V \times (R5 + R13)}{R5}$$

$$V_{TURN-ON} = \frac{1.24V \times (21 \text{ k}\Omega + 10 \text{ k}\Omega)}{21 \text{ k}\Omega} = 9.91V \quad (52)$$

The chosen components from step 13 are:

$$\begin{aligned} R5 &= 1.43 \text{ k}\Omega \\ R13 &= 10 \text{ k}\Omega \\ R4 &= 17.4 \text{ k}\Omega \end{aligned}$$

(53)

### 8.15 Output OVLO

Solve for  $R_{OV2}$ :

$$R17 = \frac{V_{HYSO}}{20 \mu\text{A}} = \frac{10\text{V}}{20 \mu\text{A}} = 500 \text{ k}\Omega$$

(54)

The closest standard resistor is 499 k $\Omega$  therefore  $V_{HYSO}$  is:

$$V_{HYSO} = R17 \times 20 \mu\text{A} = 499 \text{ k}\Omega \times 20 \mu\text{A} = 9.98\text{V}$$

(55)

Solve for  $R_{OV1}$ :

$$R11 = \frac{1.24\text{V} \times R17}{V_{\text{TURN-OFF}} - 1.24\text{V}} = \frac{1.24\text{V} \times 499 \text{ k}\Omega}{50\text{V} - 620 \text{ mV}} = 12.5 \text{ k}\Omega$$

(56)

The closest standard resistor is 15.8 k $\Omega$  making  $V_{\text{TURN-OFF}}$ :

$$V_{\text{TURN-OFF}} = \frac{1.24\text{V} \times (R11 + R17)}{R11}$$

$$V_{\text{TURN-OFF}} = \frac{1.24\text{V} \times (12.4 \text{ k}\Omega + 499 \text{ k}\Omega)}{12.4 \text{ k}\Omega} = 51.1\text{V}$$

(57)

The chosen components from step 14 are:

$$\begin{aligned} R11 &= 12.4 \text{ k}\Omega \\ R17 &= 499 \text{ k}\Omega \end{aligned}$$

(58)

### 8.16 Soft-Start

Solve for  $t_{\text{SU}}$ :

$$t_{\text{SU}} = 168\Omega \times C9 + 36 \text{ k}\Omega \times C10 + \frac{V_O}{I_{\text{LED}}} \times C_O$$

$$t_{\text{SU}} = 168\Omega \times 2.2 \mu\text{F} + 36 \text{ k}\Omega \times 1.0 \mu\text{F} + \frac{21\text{V}}{1\text{A}} \times 40 \mu\text{F}$$

$$t_{\text{SU}} = 37.2 \text{ ms}$$

(59)

If  $t_{\text{SU}}$  is less than  $t_{\text{TSU}}$ , solve for  $t_{\text{SU-SS-BASE}}$ :

$$t_{\text{SU-SS-BASE}} = 168\Omega \times C9 + 28 \text{ k}\Omega \times C10 + \frac{V_O}{I_{\text{LED}}} \times C_O$$

$$t_{\text{SU-SS-BASE}} = 168\Omega \times 2.2 \mu\text{F} + 28 \text{ k}\Omega \times 1.0 \mu\text{F} + \frac{21\text{V}}{1\text{A}} \times 40 \mu\text{F}$$

$$t_{\text{SU-SS-BASE}} = 29.2 \text{ ms}$$

(60)

Solve for  $C_{\text{SS}}$ :

$$C_{\text{SS}} = \frac{(t_{\text{TSU}} - t_{\text{SU-SS-BASE}})}{20 \text{ k}\Omega} = \frac{(40 \text{ ms} - 29.2 \text{ ms})}{20 \text{ k}\Omega} = 540 \text{ nF}$$

(61)

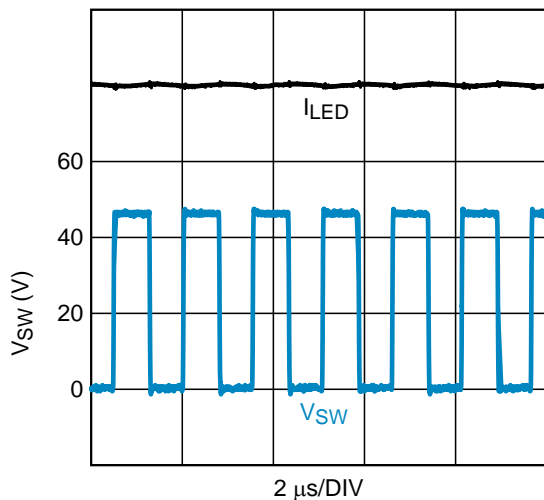
The chosen component from step 15 is:

$$C_{\text{SS}} = 0.47 \mu\text{F}$$

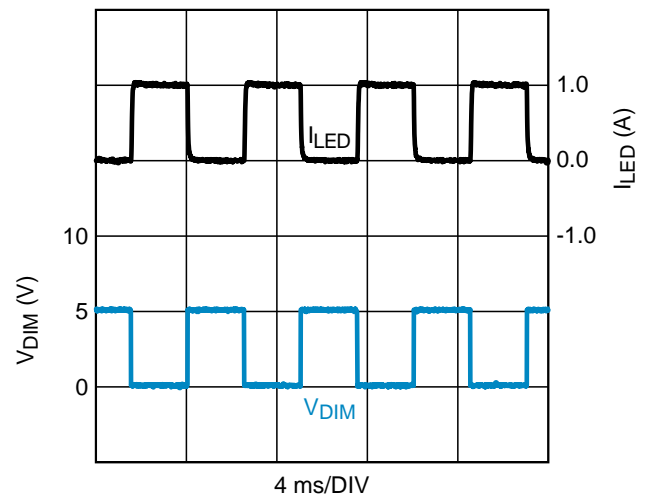
(62)

## 9 Typical Waveforms

$T_A = +25^\circ\text{C}$ ,  $V_{IN} = 24\text{V}$  and  $V_O = 21\text{V}$ .



**Figure 4. Standard Operation**  
TP1 Switch Node Voltage ( $V_{sw}$ )  
LED Current ( $I_{LED}$ )



**Figure 5. 200Hz 50% PWM Dimming**  
TP5 Dim Voltage ( $V_{DIM}$ )  
LED Current ( $I_{LED}$ )

## 10 Alternate Designs

Alternate designs with the LM3429 evaluation board are possible with very few changes to the existing hardware. The evaluation board FETs and diodes are already rated higher than necessary for design flexibility. The input UVLO, output OVP, input and output capacitance can remain the same for the designs shown below. These alternate designs can be evaluated by changing only R9, R10, and L1.

[Table 2](#) gives the main specifications for four different designs and the corresponding values for R9, R10, and L1. PWM dimming can be evaluated with any of these designs.

**Table 2. Alternate Design Specifications**

Specification / Component	Design 1	Design 2	Design 3	Design 4
$V_{IN}$	10V - 45V	15V - 50V	20V - 55V	25V - 60V
$V_O$	14V	21V	28V	35V
$f_{SW}$	600kHz	700kHz	500kHz	700kHz
$I_{LED}$	2A	500mA	2.5A	1.25A
R9	0.05 $\Omega$	0.2 $\Omega$	0.04 $\Omega$	0.08 $\Omega$
R10	12.1 k $\Omega$	10.2 k $\Omega$	14.3 k $\Omega$	10.2 k $\Omega$
L1	22 $\mu\text{H}$	68 $\mu\text{H}$	15 $\mu\text{H}$	33 $\mu\text{H}$

## IMPORTANT NOTICE

Texas Instruments Incorporated and its subsidiaries (TI) reserve the right to make corrections, enhancements, improvements and other changes to its semiconductor products and services per JESD46, latest issue, and to discontinue any product or service per JESD48, latest issue. Buyers should obtain the latest relevant information before placing orders and should verify that such information is current and complete. All semiconductor products (also referred to herein as "components") are sold subject to TI's terms and conditions of sale supplied at the time of order acknowledgment.

TI warrants performance of its components to the specifications applicable at the time of sale, in accordance with the warranty in TI's terms and conditions of sale of semiconductor products. Testing and other quality control techniques are used to the extent TI deems necessary to support this warranty. Except where mandated by applicable law, testing of all parameters of each component is not necessarily performed.

TI assumes no liability for applications assistance or the design of Buyers' products. Buyers are responsible for their products and applications using TI components. To minimize the risks associated with Buyers' products and applications, Buyers should provide adequate design and operating safeguards.

TI does not warrant or represent that any license, either express or implied, is granted under any patent right, copyright, mask work right, or other intellectual property right relating to any combination, machine, or process in which TI components or services are used. Information published by TI regarding third-party products or services does not constitute a license to use such products or services or a warranty or endorsement thereof. Use of such information may require a license from a third party under the patents or other intellectual property of the third party, or a license from TI under the patents or other intellectual property of TI.

Reproduction of significant portions of TI information in TI data books or data sheets is permissible only if reproduction is without alteration and is accompanied by all associated warranties, conditions, limitations, and notices. TI is not responsible or liable for such altered documentation. Information of third parties may be subject to additional restrictions.

Resale of TI components or services with statements different from or beyond the parameters stated by TI for that component or service voids all express and any implied warranties for the associated TI component or service and is an unfair and deceptive business practice. TI is not responsible or liable for any such statements.

Buyer acknowledges and agrees that it is solely responsible for compliance with all legal, regulatory and safety-related requirements concerning its products, and any use of TI components in its applications, notwithstanding any applications-related information or support that may be provided by TI. Buyer represents and agrees that it has all the necessary expertise to create and implement safeguards which anticipate dangerous consequences of failures, monitor failures and their consequences, lessen the likelihood of failures that might cause harm and take appropriate remedial actions. Buyer will fully indemnify TI and its representatives against any damages arising out of the use of any TI components in safety-critical applications.

In some cases, TI components may be promoted specifically to facilitate safety-related applications. With such components, TI's goal is to help enable customers to design and create their own end-product solutions that meet applicable functional safety standards and requirements. Nonetheless, such components are subject to these terms.

No TI components are authorized for use in FDA Class III (or similar life-critical medical equipment) unless authorized officers of the parties have executed a special agreement specifically governing such use.

Only those TI components which TI has specifically designated as military grade or "enhanced plastic" are designed and intended for use in military/aerospace applications or environments. Buyer acknowledges and agrees that any military or aerospace use of TI components which have **not** been so designated is solely at the Buyer's risk, and that Buyer is solely responsible for compliance with all legal and regulatory requirements in connection with such use.

TI has specifically designated certain components as meeting ISO/TS16949 requirements, mainly for automotive use. In any case of use of non-designated products, TI will not be responsible for any failure to meet ISO/TS16949.

### Products

Audio	<a href="http://www.ti.com/audio">www.ti.com/audio</a>
Amplifiers	<a href="http://amplifier.ti.com">amplifier.ti.com</a>
Data Converters	<a href="http://dataconverter.ti.com">dataconverter.ti.com</a>
DLP® Products	<a href="http://www.dlp.com">www.dlp.com</a>
DSP	<a href="http://dsp.ti.com">dsp.ti.com</a>
Clocks and Timers	<a href="http://www.ti.com/clocks">www.ti.com/clocks</a>
Interface	<a href="http://interface.ti.com">interface.ti.com</a>
Logic	<a href="http://logic.ti.com">logic.ti.com</a>
Power Mgmt	<a href="http://power.ti.com">power.ti.com</a>
Microcontrollers	<a href="http://microcontroller.ti.com">microcontroller.ti.com</a>
RFID	<a href="http://www.ti-rfid.com">www.ti-rfid.com</a>
OMAP Applications Processors	<a href="http://www.ti.com/omap">www.ti.com/omap</a>
Wireless Connectivity	<a href="http://www.ti.com/wirelessconnectivity">www.ti.com/wirelessconnectivity</a>

### Applications

Automotive and Transportation	<a href="http://www.ti.com/automotive">www.ti.com/automotive</a>
Communications and Telecom	<a href="http://www.ti.com/communications">www.ti.com/communications</a>
Computers and Peripherals	<a href="http://www.ti.com/computers">www.ti.com/computers</a>
Consumer Electronics	<a href="http://www.ti.com/consumer-apps">www.ti.com/consumer-apps</a>
Energy and Lighting	<a href="http://www.ti.com/energy">www.ti.com/energy</a>
Industrial	<a href="http://www.ti.com/industrial">www.ti.com/industrial</a>
Medical	<a href="http://www.ti.com/medical">www.ti.com/medical</a>
Security	<a href="http://www.ti.com/security">www.ti.com/security</a>
Space, Avionics and Defense	<a href="http://www.ti.com/space-avionics-defense">www.ti.com/space-avionics-defense</a>
Video and Imaging	<a href="http://www.ti.com/video">www.ti.com/video</a>

### TI E2E Community

[e2e.ti.com](http://e2e.ti.com)