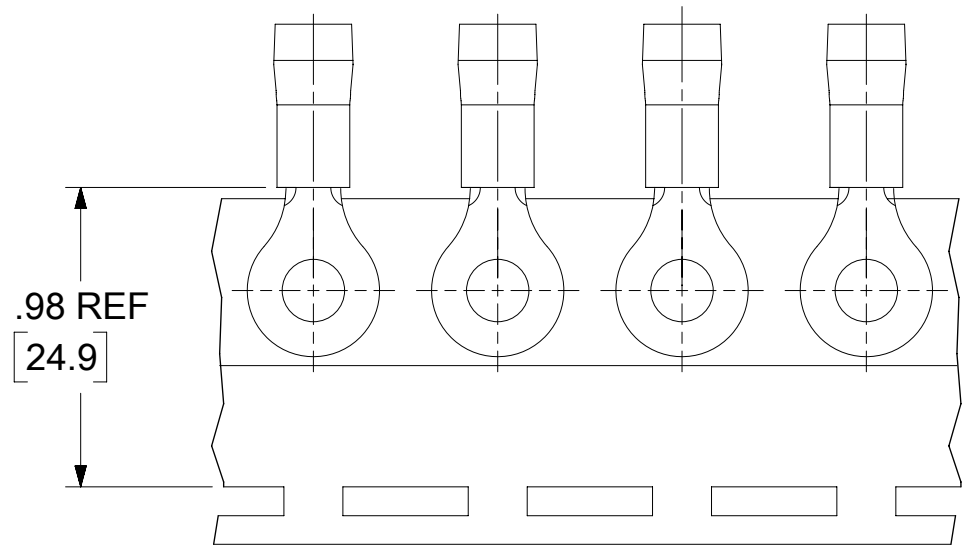
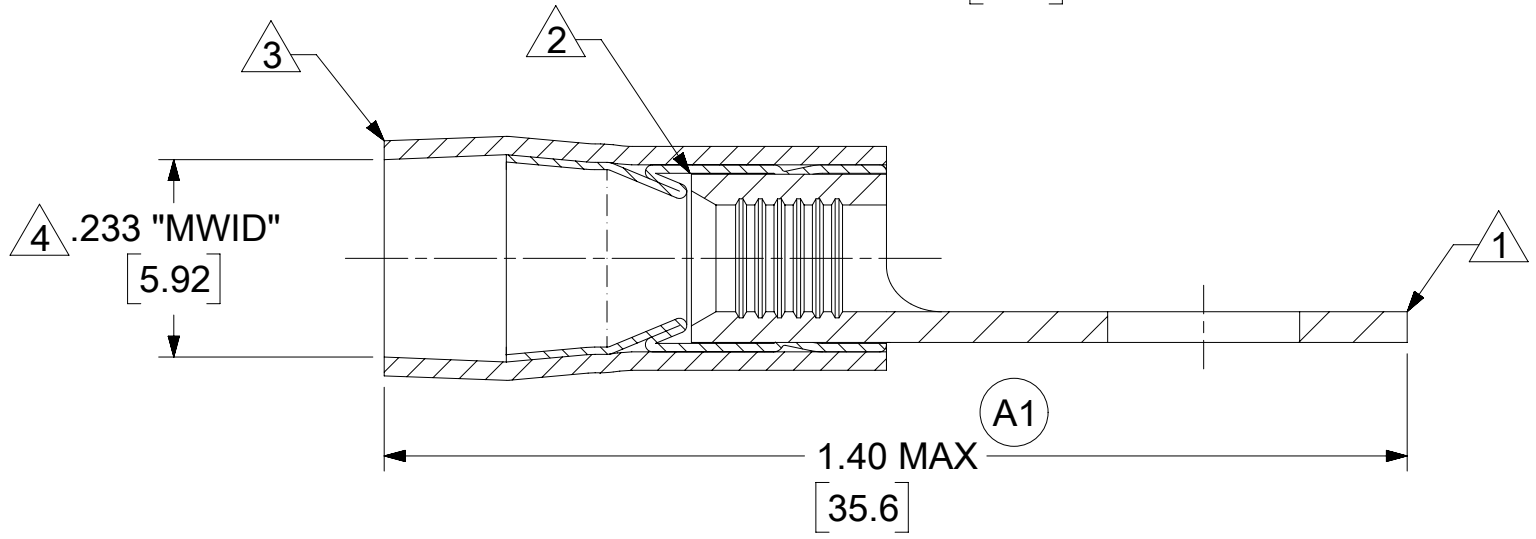
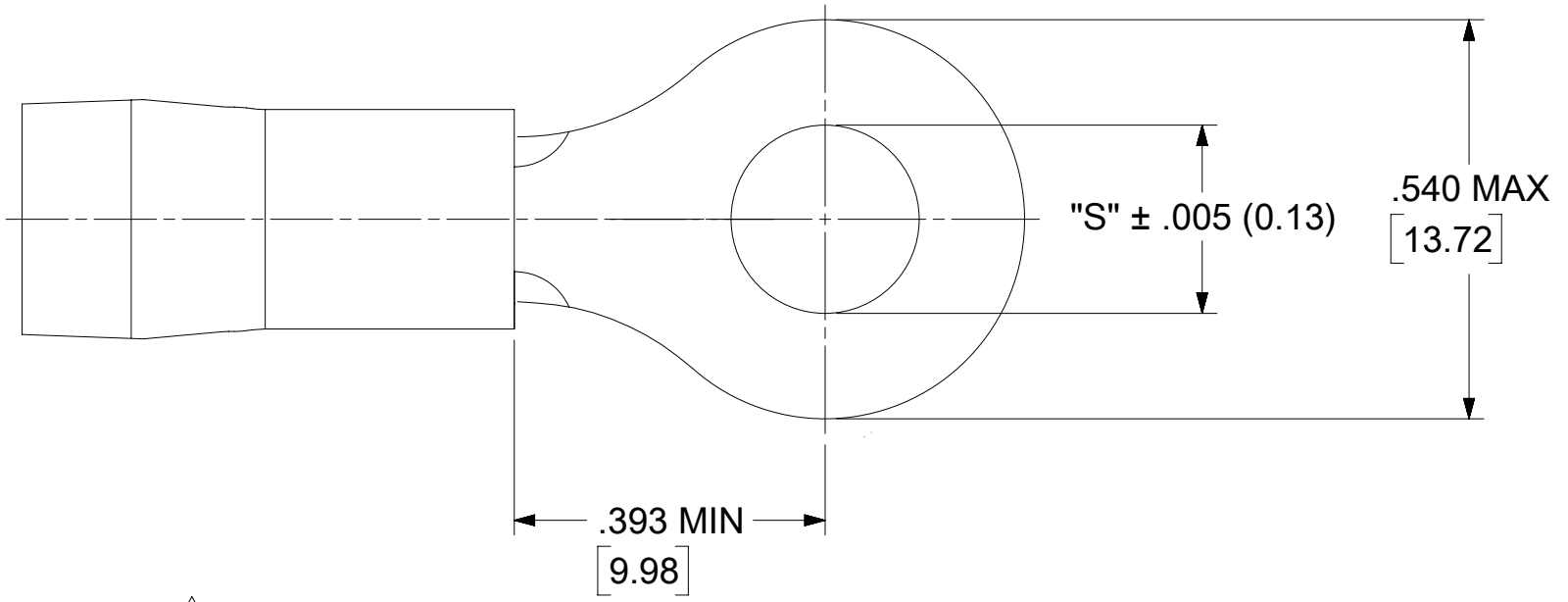


MATERIAL NO.	ENG NO.	MATERIAL NO. (TAPE)	ENG NO. (TAPE)	STUD SIZE	"S" ± .005 (0.13)
190730182	C-830-10XLBK	----	----	10	.198 (5.03)
190730192	C-830-14XLBK	190730193	C-830-14XLBKT	1/4	.265 (6.73)
190730203	C-830-56XLBK	----	----	5/16	.328 (8.33)

A1



TAPE MOUNTING LOCATION

NOTE(S):

- 1 TERMINAL MATERIAL: COPPER
FINISH: ELECTRO-TIN
- 2 FERRULE MATERIAL: BRASS
FINISH: ELECTRO-TIN
- 3 INSULATION MATERIAL: BLACK NYLON
- 4 "MWID" = MAXIMUM WIRE INSULATION DIAMETER
- 5. PARTS ARE RoHS COMPLIANT

THIS DRAWING CONTAINS INFORMATION THAT IS PROPRIETARY TO MOLEX ELECTRONIC TECHNOLOGIES, LLC AND SHOULD NOT BE USED WITHOUT WRITTEN PERMISSION																														
FUNCTIONAL SYMBOLS	DIMENSION UNITS	SCALE	CURRENT REV DESC: RMV OBSO PN'S: C-830-10XXBK, -14XXBK, -56XXBK, -10XX, -14XX, -56XX, -10XXBKT, -14XXBKT, & -56XXBKT																											
$\nabla_A = 0$	INCH/MM	NTS	<table border="1"> <tr> <td colspan="3">GENERAL TOLERANCES (UNLESS SPECIFIED)</td> </tr> <tr> <td>4 PLACES</td> <td>±</td> <td>±</td> </tr> <tr> <td>3 PLACES</td> <td>±</td> <td>±</td> </tr> <tr> <td>2 PLACES</td> <td>±</td> <td>±</td> </tr> <tr> <td>1 PLACE</td> <td>±</td> <td>±</td> </tr> <tr> <td>0 PLACES</td> <td>±</td> <td>±</td> </tr> <tr> <td colspan="3">ANGULAR TOL ± °</td> </tr> </table>							GENERAL TOLERANCES (UNLESS SPECIFIED)			4 PLACES	±	±	3 PLACES	±	±	2 PLACES	±	±	1 PLACE	±	±	0 PLACES	±	±	ANGULAR TOL ± °		
GENERAL TOLERANCES (UNLESS SPECIFIED)																														
4 PLACES	±	±																												
3 PLACES	±	±																												
2 PLACES	±	±																												
1 PLACE	±	±																												
0 PLACES	±	±																												
ANGULAR TOL ± °																														
$\nabla_E = 0$																														
$\nabla_P = 0$																														
DIVISIONAL SYMBOLS			EC NO: 676073 DRWN: DMYRICK 2021/08/30 CHK'D: KBURROUGHS 2021/08/31 APPR: KBURROUGHS 2021/08/31				molex RAILROAD TERMINAL 12-10 RING TONGUE TERMINALS																							
			INITIAL REVISION:				PRODUCT CUSTOMER DRAWING																							
			DRWN: APPR:				DOCUMENT NUMBER																							
			DRAFT WHERE APPLICABLE MUST REMAIN WITHIN DIMENSIONS				SD-19058-006																							
			THIRD ANGLE PROJECTION	DRAWING	SERIES	MATERIAL NUMBER	CUSTOMER	DOC TYPE	DOC PART																					
				B-SIZE	19058		GENERAL MARKET	PSD	001																					
									REVISION																					
									A1																					
									SHEET NUMBER																					
									1 OF 1																					