

## Splash Proof Fan

# 80mm sq.

## San Ace 80W

25mm thick, 25mm thick(WP type)  
25mm thick(WS type), 38mm thick(WV type)



- General Specifications** With a pulse sensor Specifications for pulse sensors ⇔ Refer to Page 297
- Material ..... Frame: Aluminum, Impeller:Plastics (Flammability: UL94V-1)
  - Expected Life ..... Varies for each model(Indoor, L10:Survival rate: 90% at 60°C , rated voltage,and continuously run in a free air state)
  - Lead Wire ..... ⊕red ⊖black Sensor yellow
  - Storage Temperature ..... -30°C to +70°C (Non-condensing)

## 80×80×25mm

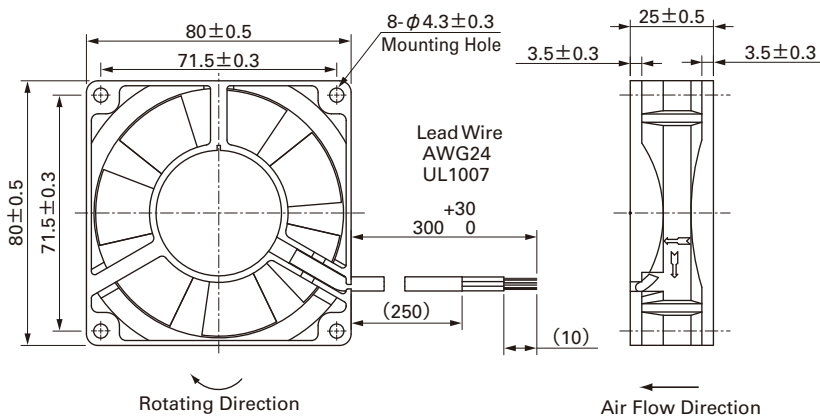
 (Mass : 170g) IP 55 Dust resistant device with protection against water jets

### Specifications

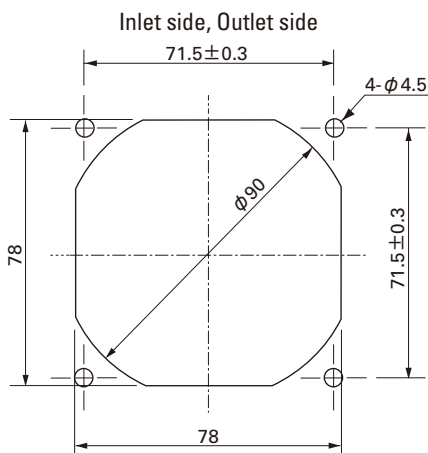
Model No.	Rated Voltage [V]	Operating Voltage Range [V]	Rated Current [A]	Rated Input [W]	Rated Speed [min <sup>-1</sup> ]	Max. Air Flow [m <sup>3</sup> /min] [CFM]	Max. Static Pressure [Pa] [inchH <sub>2</sub> O]	SPL [dB(A)]	Operating Temperature [°C]	Expected Life [h]	
109W0812H401-U	12	10.2 to 13.8	0.18	2.16	3,000	1.06	37.4	39.2	0.157	- 10 to + 70	100,000
109W0812F401-U			0.14	1.68	2,700	0.93	32.8	32.3	0.130		
109W0812M401-U			0.10	1.20	2,400	0.83	29.3	26.5	0.106		
109W0812L401-U			0.08	0.96	1,900	0.63	22.2	16.7	0.067		
109W0824H401-U	24	20.4 to 27.6	0.09	2.16	3,000	1.06	37.4	39.2	0.157		
109W0824F401-U			0.08	1.92	2,700	0.93	32.8	32.3	0.130		
109W0824M401-U			0.07	1.68	2,400	0.83	29.3	26.5	0.106		
109W0824L401-U			0.05	1.20	1,900	0.63	22.2	16.7	0.067		
109W0848H401-U	48	40.8 to 55.2	0.06	2.88	3,150	1.10	38.8	43.1	0.173	34	

Without Sensor Pulse Sensor Available in all models. Lock Sensor Please inquire as the availability of these functions depend on the model.

### Dimensions (Unit : mm)



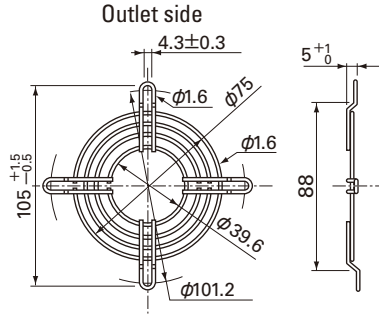
### Reference dimension of mounting holes and vent opening (Unit : mm)



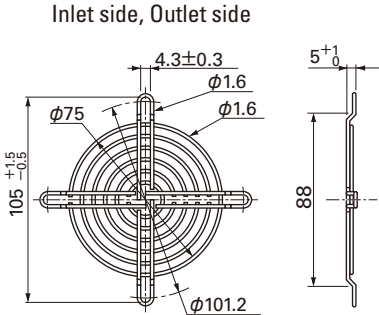
## Options (Unit : mm)

### Finger guards

Model : 109-049C Surface treatment : Nickel-chrome plating (silver) Color (silver)

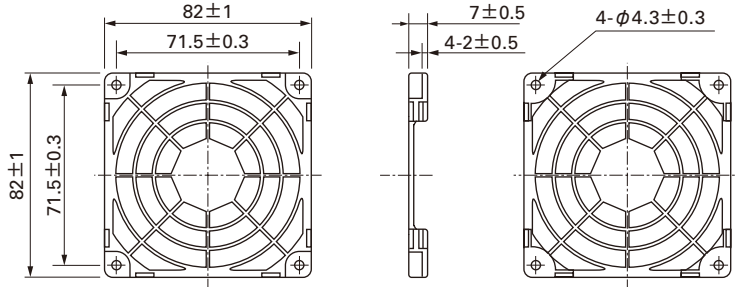


Model : 109-049E Surface treatment : Nickel-chrome plating (silver) Color (silver)  
: 109-049H Surface treatment : Cation electropainting (black) Color (black)



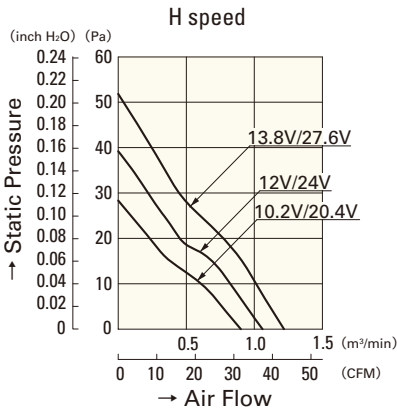
### Resin Finger guards

Model : 109-1002G

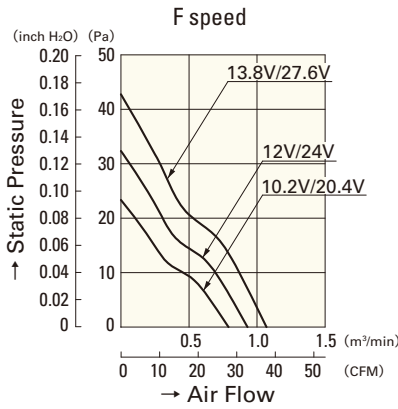


Splash Proof Fan 80mm

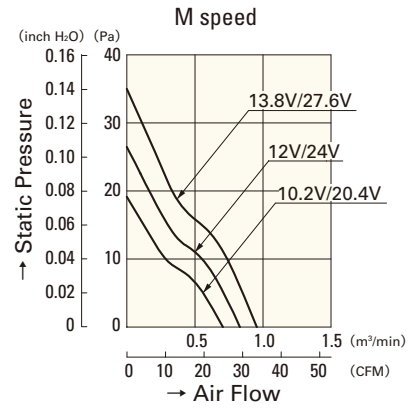
## Air Flow - Static Pressure Characteristics



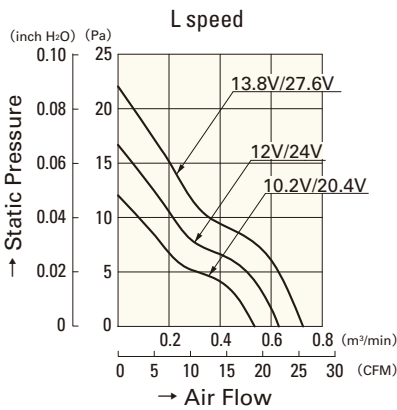
**109W0812H401-U**  
**109W0824H401-U**



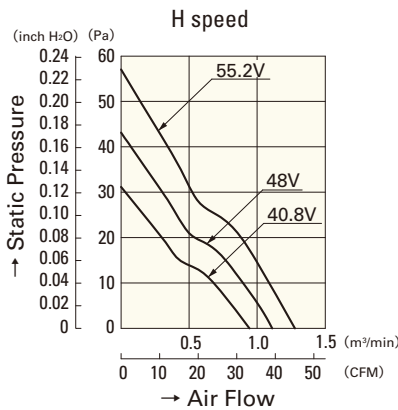
**109W0812F401-U**  
**109W0824F401-U**



**109W0812M401-U**  
**109W0824M401-U**



**109W0812L401-U**  
**109W0824L401-U**



**109W0848H401-U**

80mm