

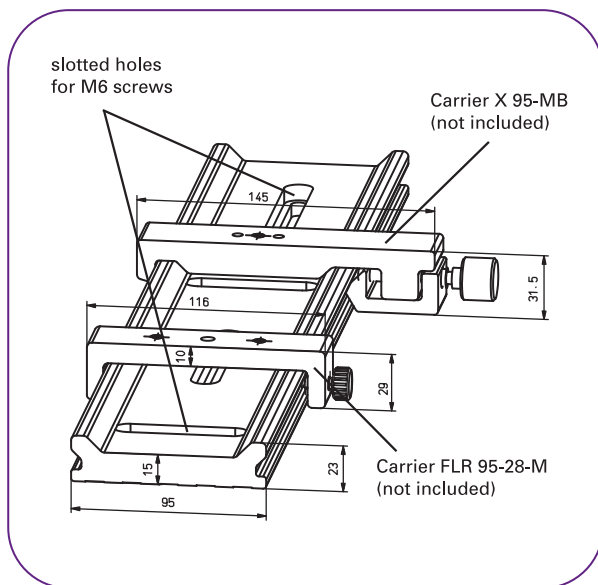
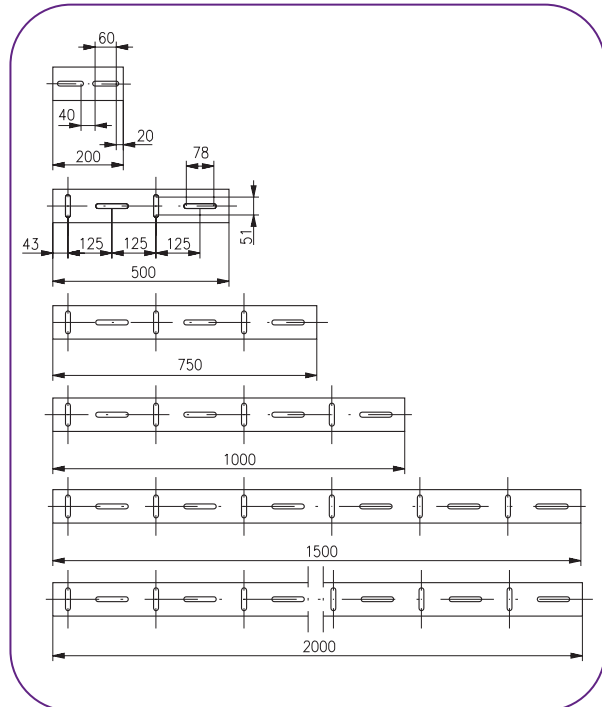
## FLS 95 Rail System

The FLS 95 Rail System is ideal as a flat-profile optical bench, particularly for setups on optical tables. Its slotted holes make it independent of existing hole patterns and fit both M6 and 1/4" screws. The profile corresponds to the X 95 system and can use the same carriers. The rail surface is treated with abrasion-resistant black anodizing and the bearing surfaces are milled to ensure the highest guiding accuracy.



- Flat-profile optical bench
- Ideal for mounting components or instruments
- Lengthwise and crosswise slots in rails allow for readily shifting rail positions
- Extremely rigid
- Rails accept X 95 system components
- Black anodized profiled aluminum rails

22



Item Title	Length / mm	Length / feet	Part No.
FLS 95- 200	200	0.66	G022080000
FLS 95- 500	500	1.64	G022081000
FLS 95- 750	750	2.46	G022082000
FLS 95- 1000	1000	3.28	G022083000
FLS 95- 1500	1500	4.92	G022084000
FLS 95- 2000	2000	6.56	G022087000