

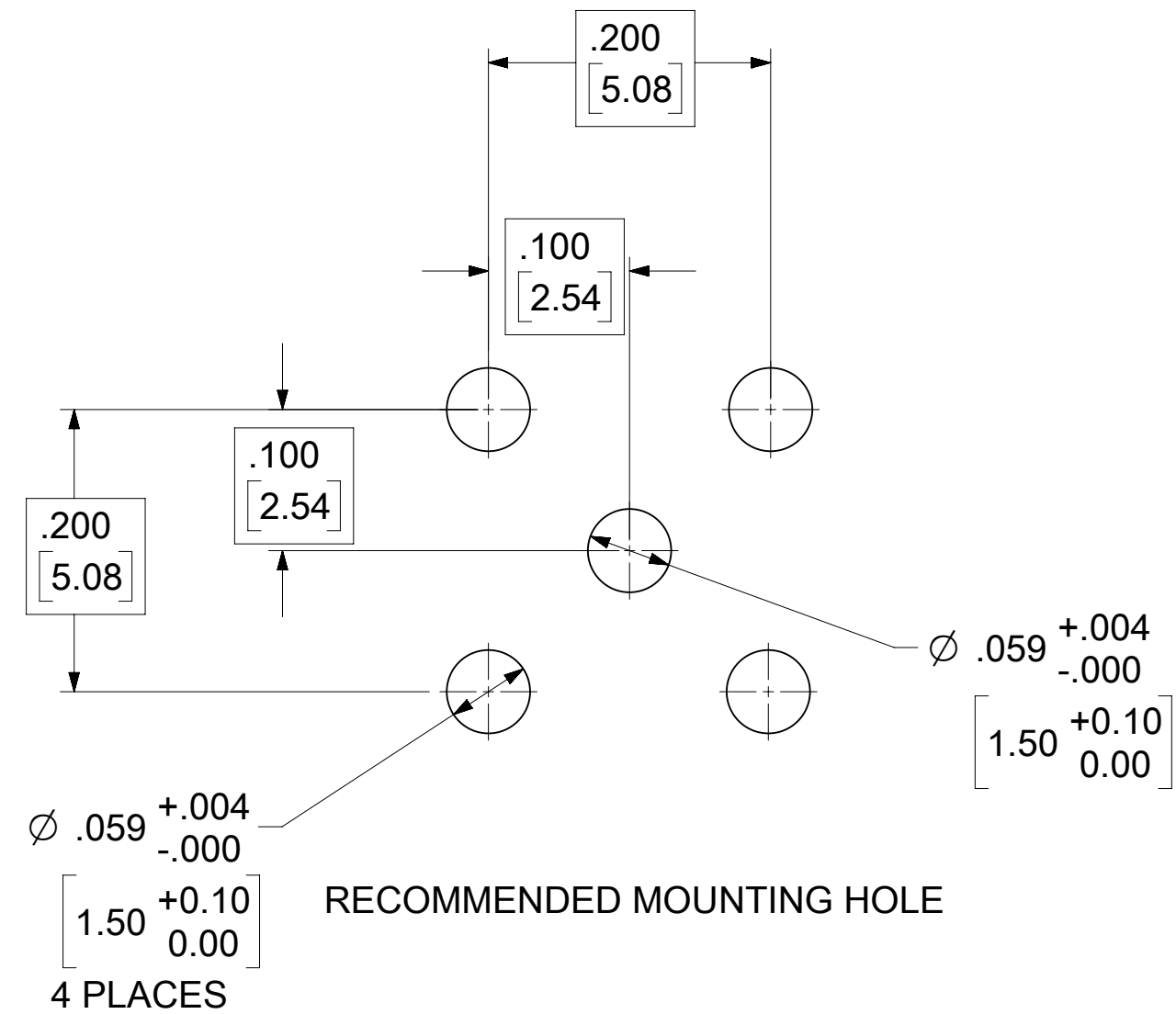
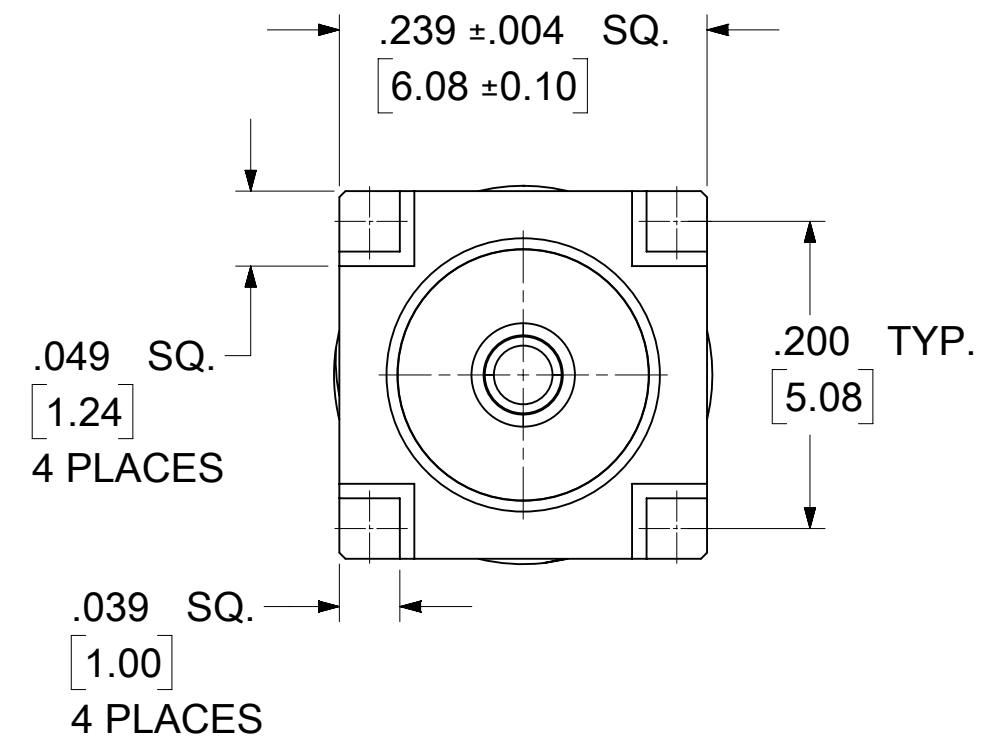
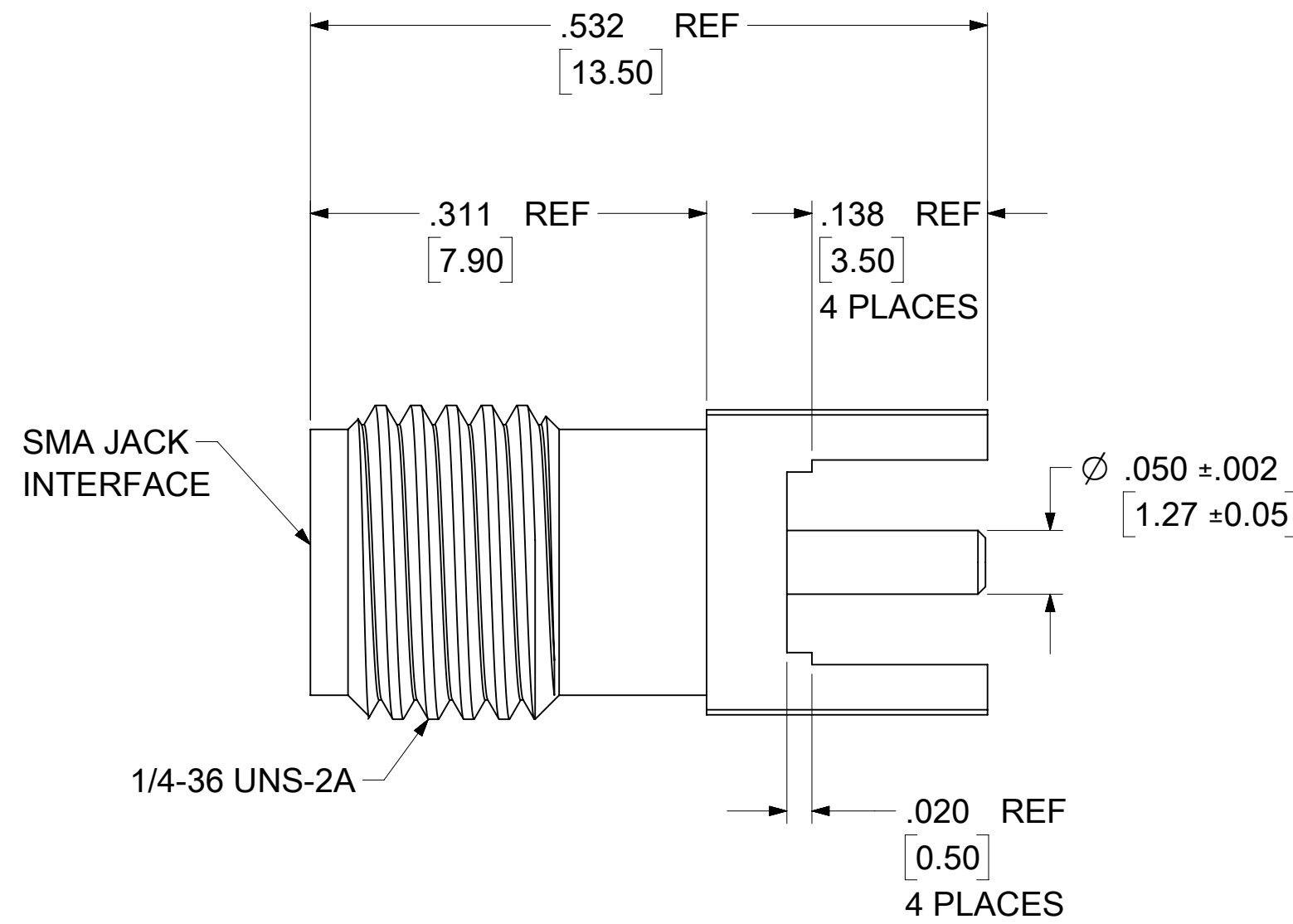
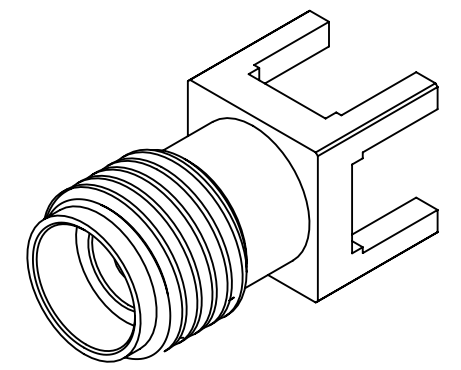
MATERIALS AND FINISHES:

BODY: BRASS
PLATED GOLD

CENTER CONTACT: BERYLLIUM COPPER
PLATED GOLD

INSULATOR: TEFLON

PACKAGING: SEE TABLE



RECOMMENDED MOUNTING HOLE

| | |
|---------------|------------------------|
| PS-89675-346 | ELECTRO/MECH. PERFORM. |
| SPECIFICATION | DESCRIPTION |

| | |
|------------|------------------------------|
| 73391-0072 | 73391-0070 BY TRAY (20 CAV.) |
| 73391-0071 | ONE PIECE 73391-0070 PER BAG |
| 73391-0070 | TRAY (80 CAV.) |
| PART NO. | PACKAGING |

| | | | | | | | | | | |
|--|---|-------|--|---------|--------|-----------------|----------------|--------------|--|--|
| FUNCTIONAL SYMBOLS | THIS DRAWING CONTAINS INFORMATION THAT IS PROPRIETARY TO MOLEX ELECTRONIC TECHNOLOGIES, LLC AND SHOULD NOT BE USED WITHOUT WRITTEN PERMISSION | | | | | | | | | |
| | DIMENSION UNITS | SCALE | CURRENT REV DESC: CORRECT THREAD DIRECTION PER EWR14622-A | | | | | | | |
| $\frac{F}{A} = 0$ | INCH | NTS | EC NO: 670034 DRWN: CWEI02 2021/06/18 CHK'D: YCHENG 2021/07/20 APPR: YCHENG 2021/07/20 INITIAL REVISION: DRWN: LYNN 1998/10/19 APPR: XXXX XXXX | | | | | | | |
| $\frac{F}{C} = 0$ | GENERAL TOLERANCES (UNLESS SPECIFIED) | | | | | | | | | |
| $\frac{F}{P} = 0$ | ANGULAR TOL $\pm 2.0^\circ$ | | SMA JACK VERTICAL PCB 50 OHMS SMA-J/PCB | | | | | | | |
| DIVISIONAL SYMBOLS | 4 PLACES \pm | | PRODUCT CUSTOMER DRAWING | | | | | | | |
| | 3 PLACES \pm | | DOCUMENT NUMBER | | | | | | | |
| | 2 PLACES \pm | | SD-73391-007 | | | | | | | |
| | 1 PLACE \pm | | DOC TYPE DOC PART REVISION | | | | | | | |
| | 0 PLACES \pm | | PSD 001 B5 | | | | | | | |
| DRAFT WHERE APPLICABLE MUST REMAIN WITHIN DIMENSIONS | | | THIRD ANGLE PROJECTION | DRAWING | SERIES | MATERIAL NUMBER | CUSTOMER | SHEET NUMBER | | |
| | | | | C-SIZE | 73391 | SEE TABLE | GENERAL MARKET | 1 OF 1 | | |