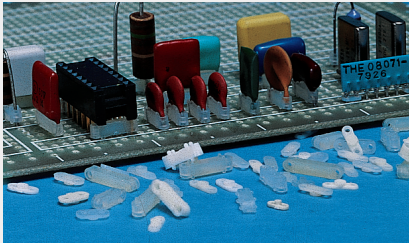


CAPACITOR MOUNTS



Material Specifications:

Natural or black Nylon, per ASTM D 4066
PA111, UL Rated 94V-2

Oxygen Rating Index: Over 28%

Standard Drawing Tolerances:

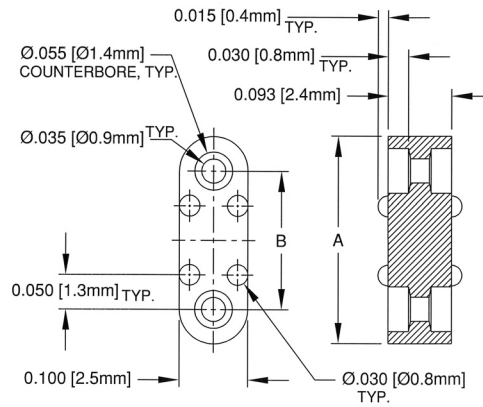
(unless otherwise indicated)

Fractions: $\pm 1/64$ (0.4) .XX = ± 0.01 (0.25)
.X = ± 0.10 (2.5) .XXX = ± 0.005 (0.13)

311 thru 316 Series

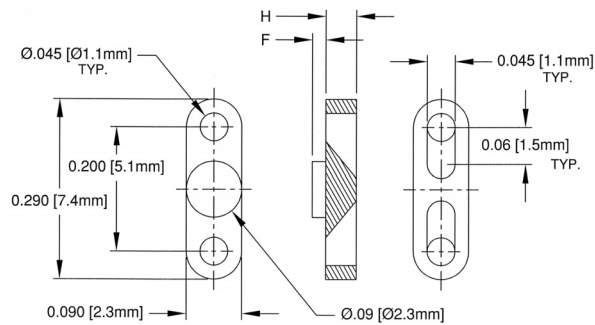
Color: Natural

Part No.	A55485/06 M38527/06	A	B	Price Code
311-200	-023N	.300 (7.6)	.200 (5.1)	A
312-250	-024N	.350 (8.9)	.250 (6.4)	A
313-300	-025N	.400 (10.2)	.300 (7.6)	A
314-350	-026N	.450 (11.4)	.350 (8.9)	B
315-400	-027N	.500 (12.7)	.400 (10.2)	B
316-500	-028N	.600 (15.2)	.500 (12.7)	B



330 Series Discrete

Part No.	A55485/06 M38527/06	H	F	Price Code
330-050	-047N	.050 (1.3)	.000	A
330-072	-046N	.072 (1.8)	.022 (.56)	A
330-085	-048N	.085 (2.2)	.035 (.89)	A



388 Series

Color: Black

Part No.	H	F	Price Code
388-025	.025 (.64)	.000	A
388-050	.050 (1.3)	.025 (.64)	A
388-075	.075 (1.9)	.050 (1.3)	A

