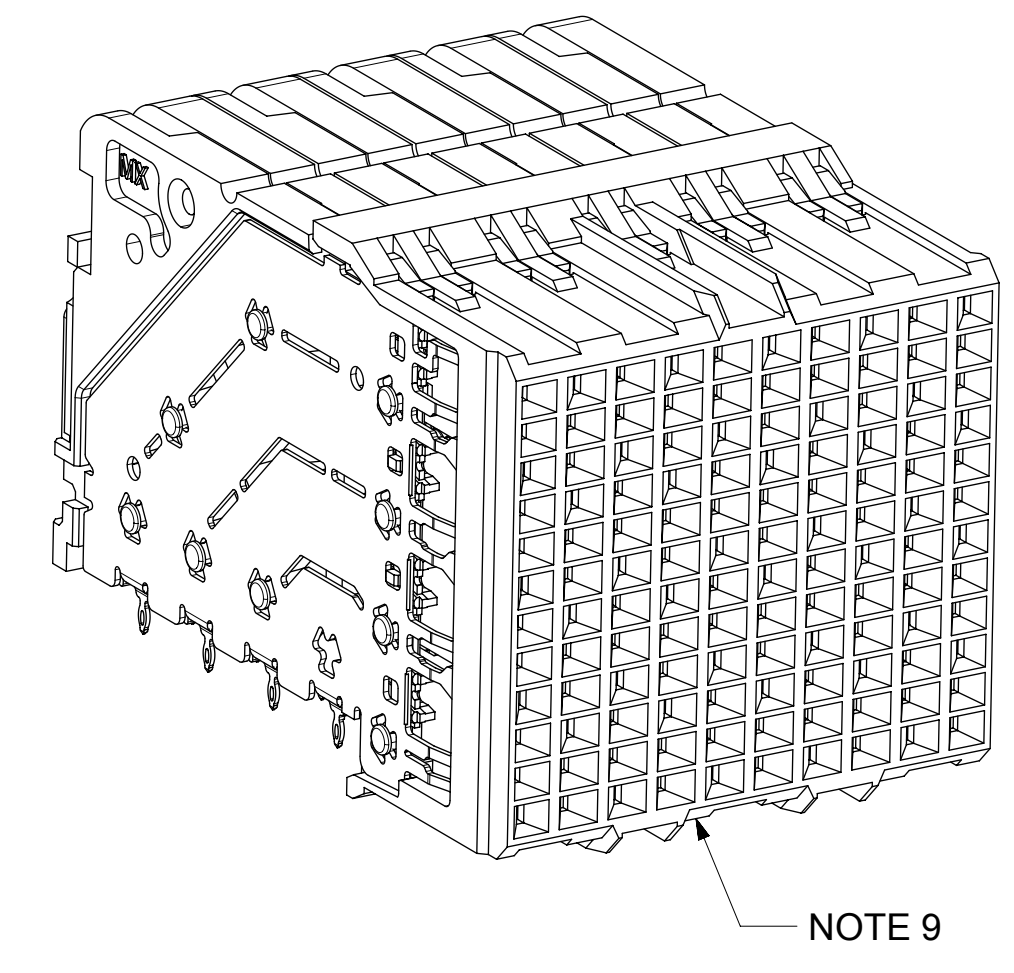
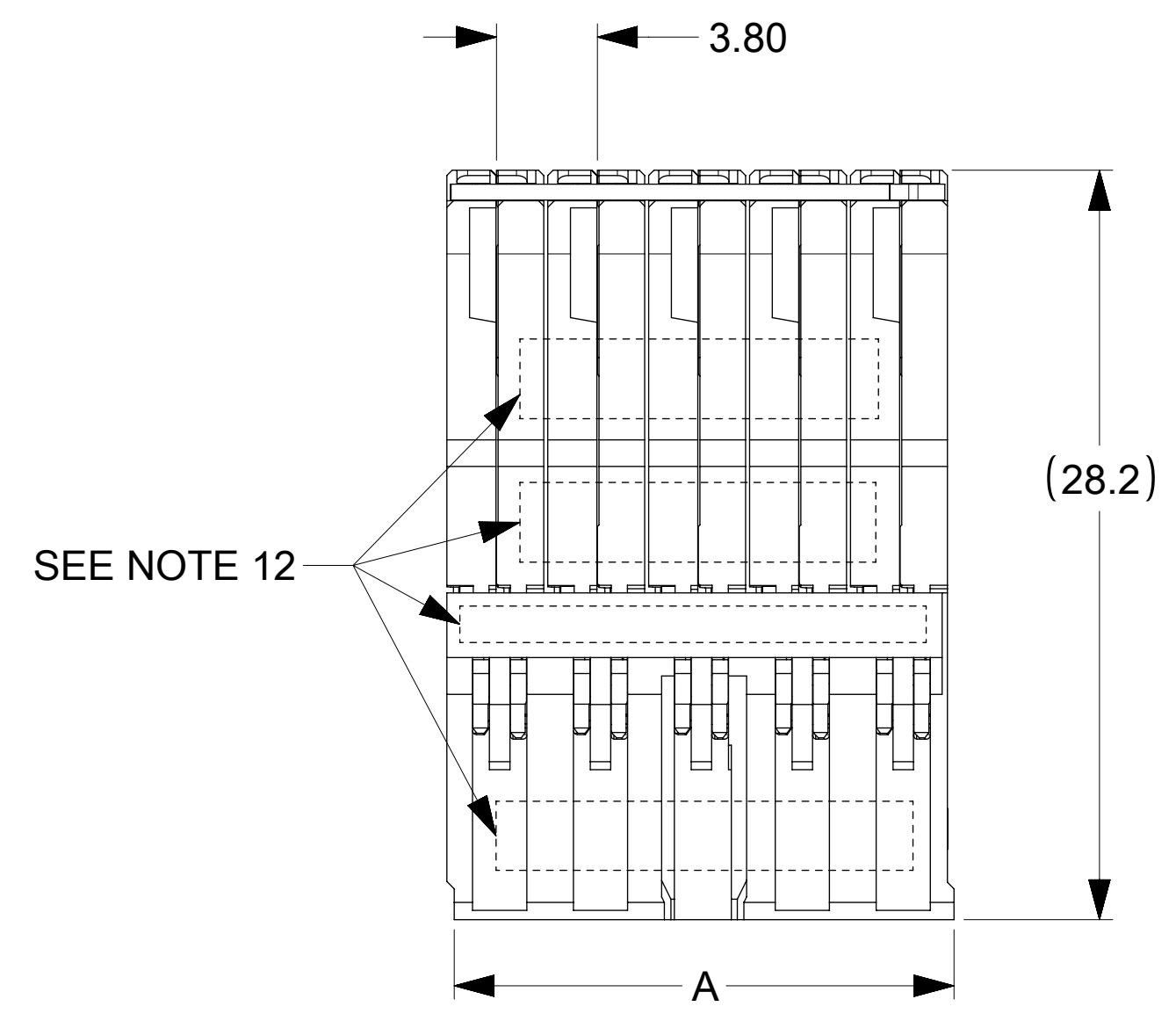
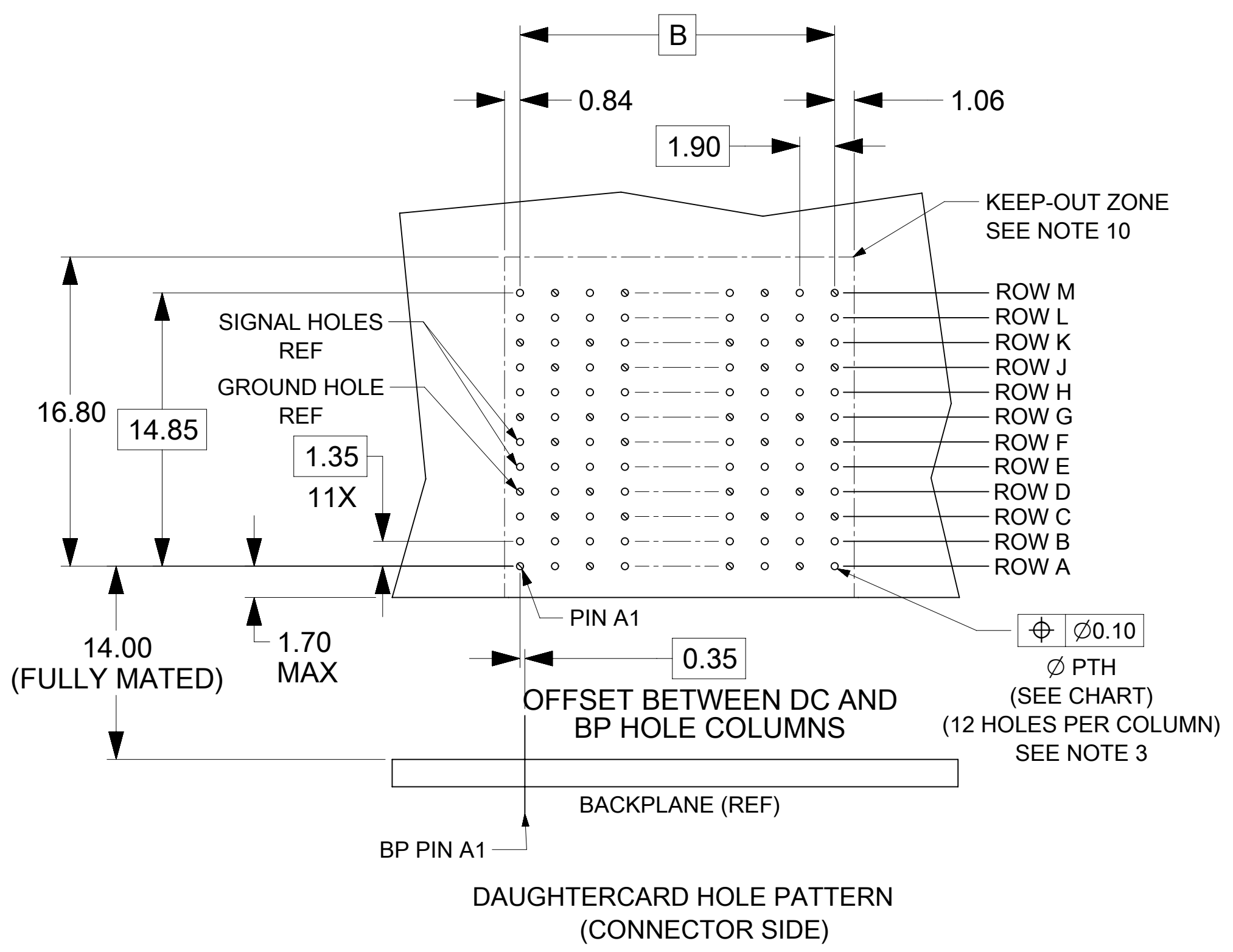
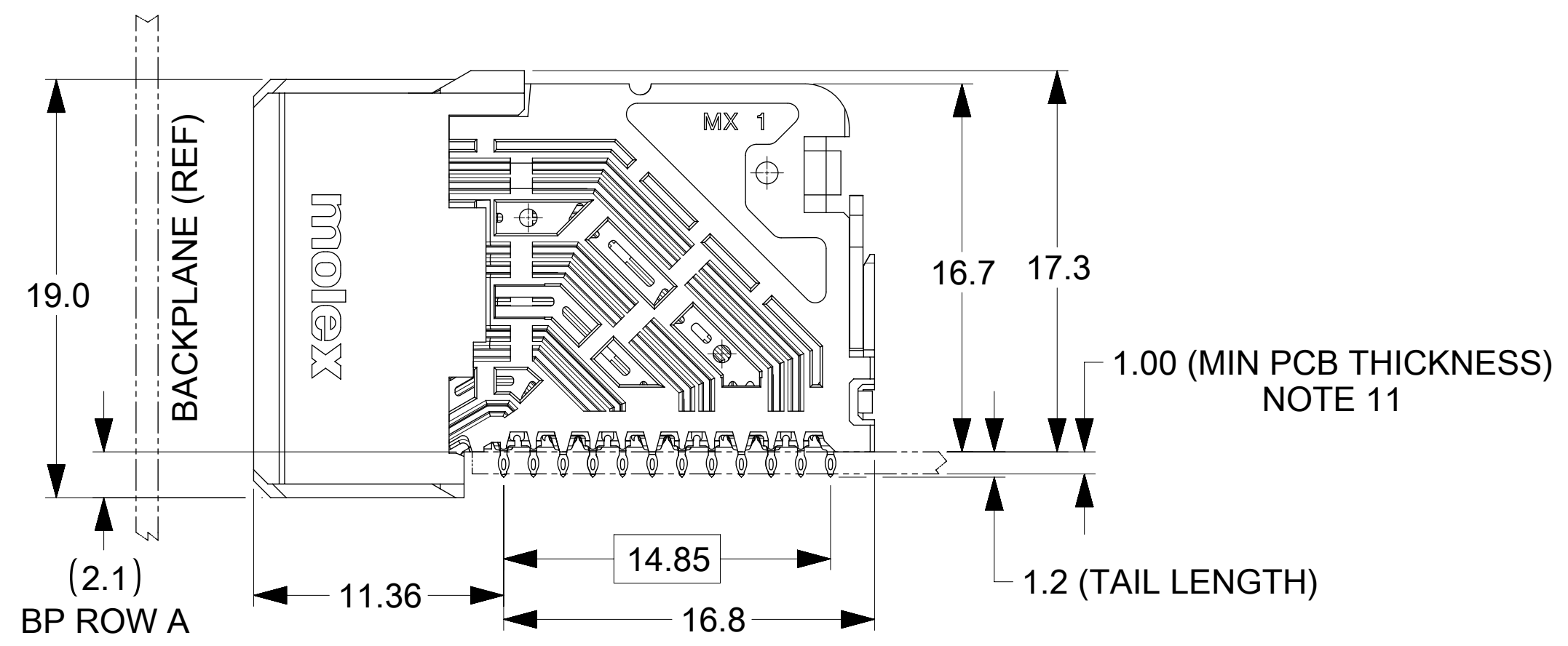
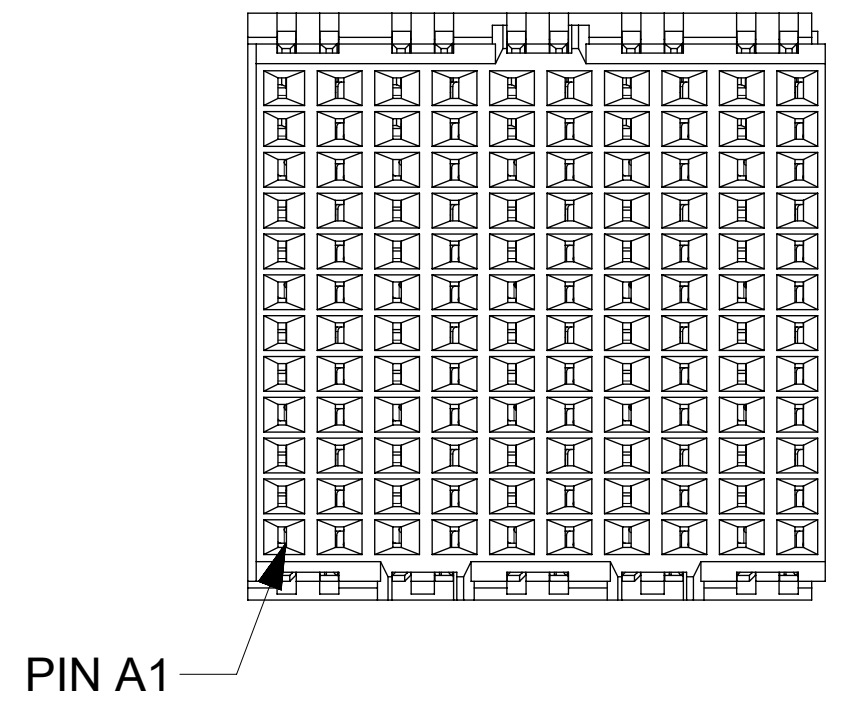
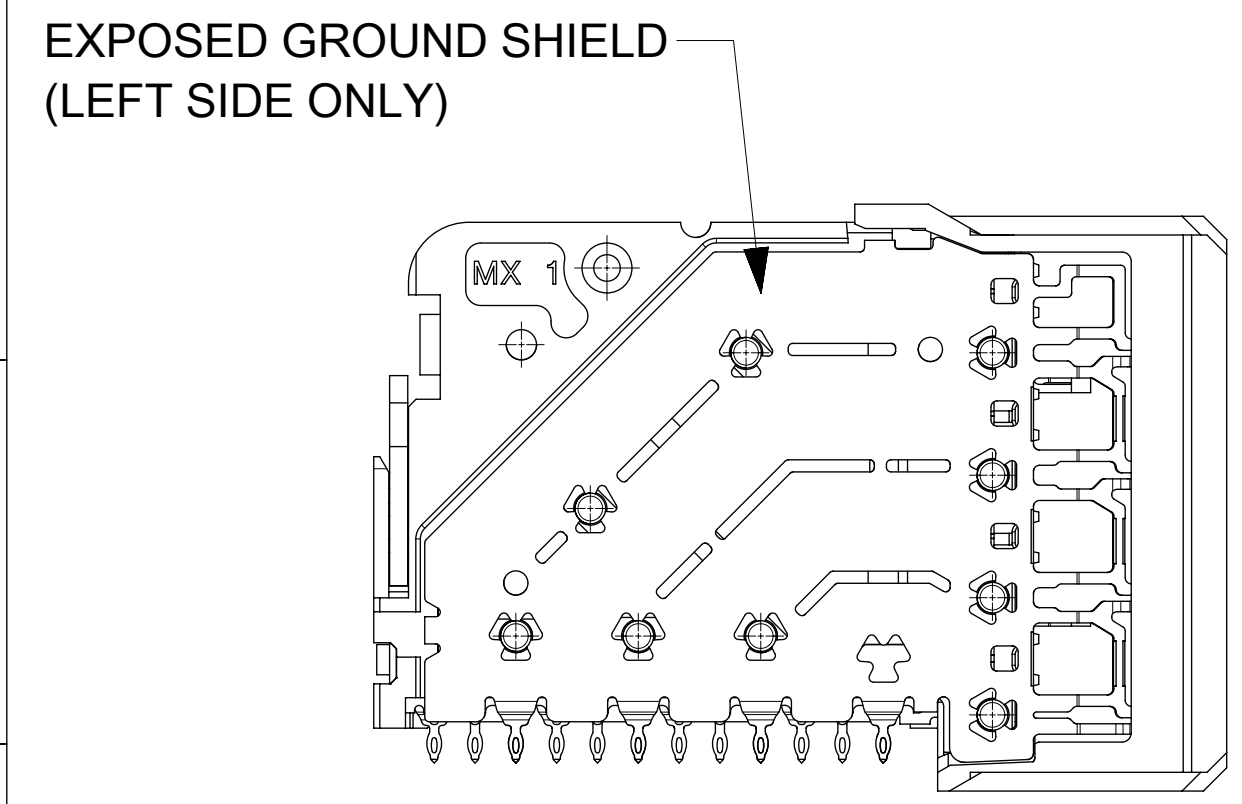


MATERIAL NUMBER	# OF COLUMNS	# OF DIFF PAIR	DIM "A" MAX	DIM "B"	PTH $\phi$
171020-1020	10	40	19.00	17.10	0.39±0.05
171020-1036	6	24	11.50	3.80	0.39±0.05



**171020- \* 0 \* \***

1 = UNGUIDED OPEN; TIN      20 = 10 COLUMN; 0.39 PTH  
 36 = 6 COLUMN; 0.39 PTH



- NOTES:
1. MATERIALS: HOUSING - LIQUID CRYSTAL POLYMER (LCP), GLASS-FILLED, UL94V-0  
TERMINALS - HIGH PERFORMANCE COPPER ALLOY
  2. FINISH: 30μIN SELECTIVE GOLD IN CONTACT AREA, SELECTIVE TIN ON PCB TAILS, NICKEL OVERALL.
  3. REFER TO MOLEX PRODUCT SPEC PS-171030-999 FOR PERFORMANCE SPECIFICATIONS AND ADDITIONAL PCB INFORMATION.
  4. EACH WAFER COLUMN CONTAINS BOTH SIGNAL AND GROUND TERMINALS.
  5. PRODUCT IS PACKAGED PER PK-70873-610.
  6. THIS PART CONFORMS TO CLASS B REQUIREMENTS OF COSMETIC SPEC PS-45499-002.
  7. REFER TO MOLEX SALES DRAWING SD-76155-001 FOR THE MATING HEADERS.
  8. REFER TO MOLEX PCB ROUTING GUIDE AS-76060-990 FOR ANTIPAD AND ROUTING RECOMMENDATIONS.
  9. PART NUMBER 171020-1020 SHOWN ON DRAWING. KEYING FEATURES WILL CHANGE WITH COLUMN SIZE.
  10. THE KEEP-OUT ZONE INDICATES THE AREA WHICH MUST BE CLEAR OF ALL OTHER COMPONENTS TO ACCOMMODATE CONNECTOR INSERTION & REPAIR NEEDS. IF A CONNECTOR IS TO BE STAKED, USE 1.90mm CENTER-TO-CENTER PTH PROGRESSION.
  11. MINIMUM PCB THICKNESS IS 1.00mm FOR PROPER COMPLIANT PIN FUNCTION.
  12. MARKING: LOCATED APPROXIMATELY AS SHOWN. PART NUMBER AND DATE CODE.
  13. THIS STACKABLE MODULE IS FOOTPRINT, INTERFACE AND ENVELOPE SIZE COMPATIBLE WITH 76160 SERIES DAUGHTERCARD CONNECTORS AND MATES TO THE SAME HEADERS.

THIS DRAWING CONTAINS INFORMATION THAT IS PROPRIETARY TO MOLEX ELECTRONIC TECHNOLOGIES, LLC AND SHOULD NOT BE USED WITHOUT WRITTEN PERMISSION

DIMENSION UNITS	SCALE	CURRENT REV DESC: MIGRATED TO NX	
mm	NTS		
GENERAL TOLERANCES (UNLESS SPECIFIED)		EC NO: 634179	
ANGULAR TOL	± 0.5°	DRWN: DSHETTY01	2019/05/08
4 PLACES	±	CHK'D: AAPPARAOTHAK	2020/03/19
3 PLACES	±	APPR: CWANG25	2020/03/20
2 PLACES	± 0.13	INITIAL REVISION:	
1 PLACE	± 0.25	DRWN: KHUGHES	2015/09/11
0 PLACES	±	APPR: TELO	2015/09/15
DRAFT WHERE APPLICABLE MUST REMAIN WITHIN DIMENSIONS		THIRD ANGLE PROJECTION	DRAWING SERIES
			D-SIZE 171020
DOCUMENT NUMBER		DOCUMENT TYPE	DOC PART
SD-171020-0001		PSD	001
REVISION		A2	
MATERIAL NUMBER		CUSTOMER	
SEE CHART		GENERAL MARKET	
SHEET NUMBER		1 OF 1	