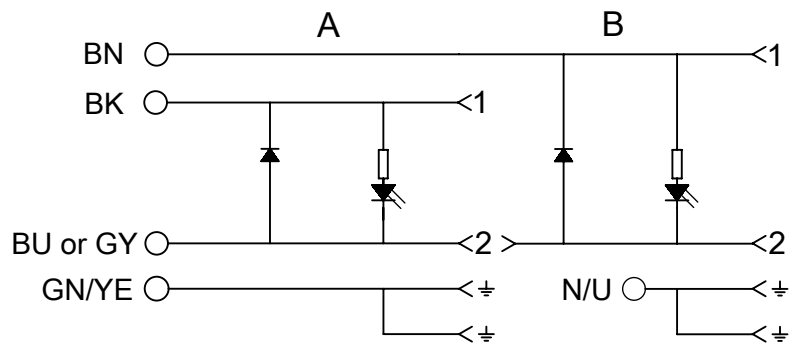
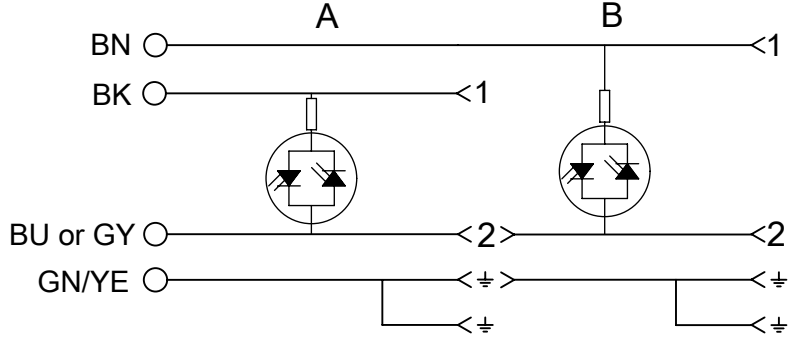


The Drawing Replaces SD-121055-001

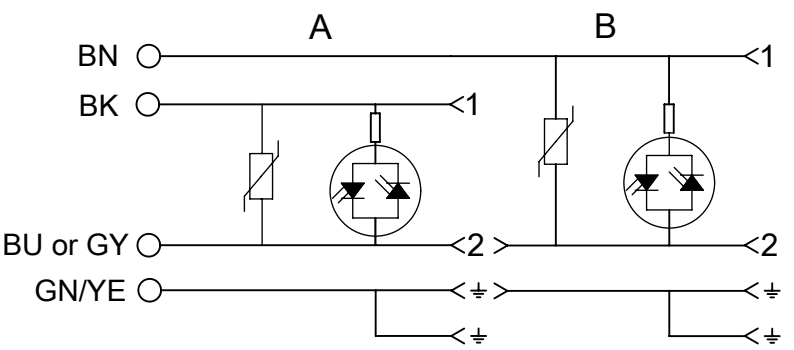
ELECTRICAL DIAGRAM - C3



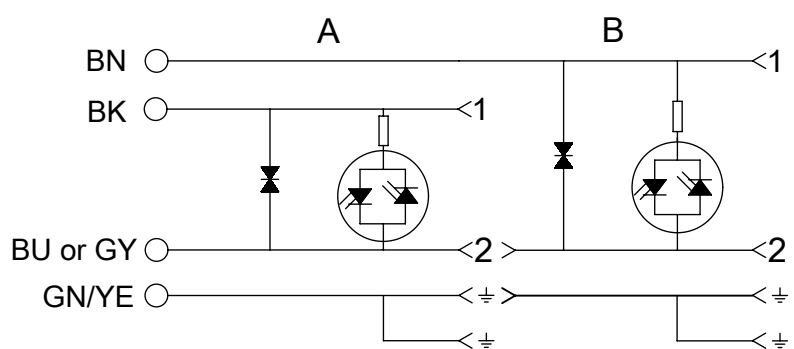
ELECTRICAL DIAGRAM - A1



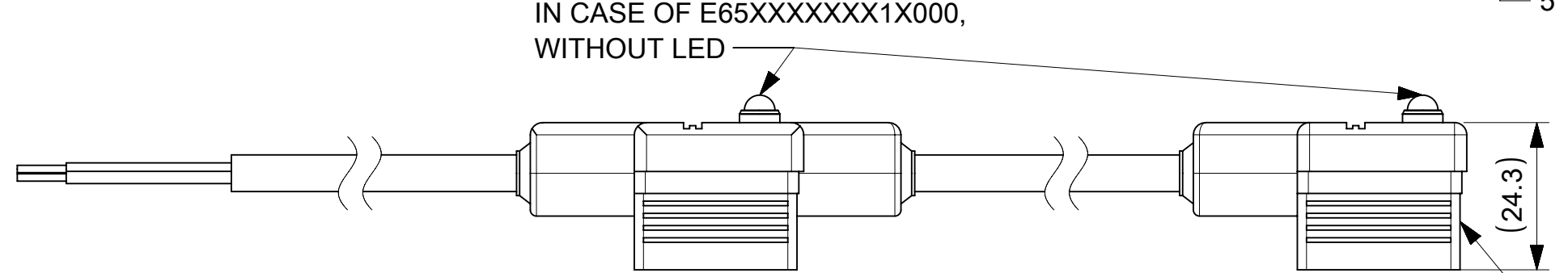
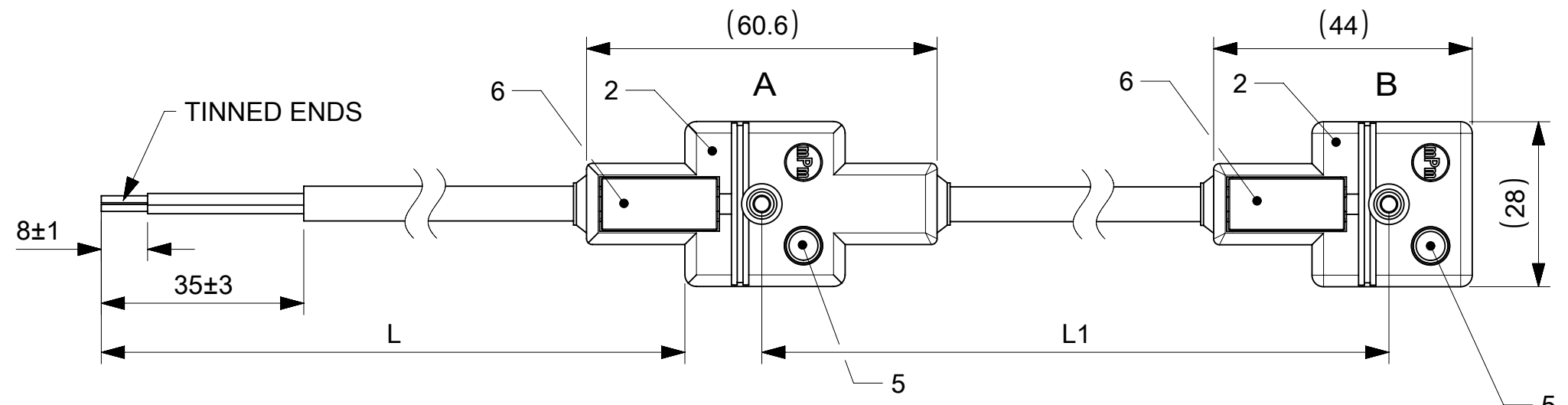
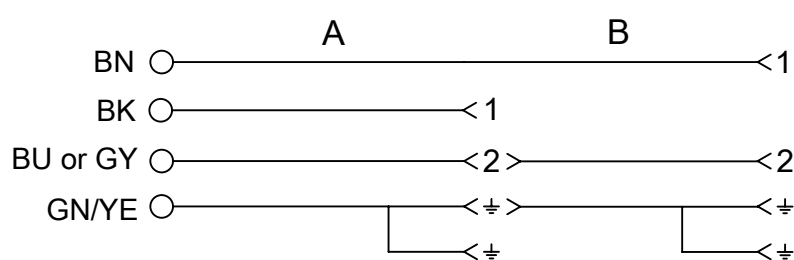
ELECTRICAL DIAGRAM - C4



ELECTRICAL DIAGRAM - S0



ELECTRICAL DIAGRAM - 00



NOTES :

- ELECTRICAL - CURRENT : MAX. 5.0A
- CONTACT RESISTANCE : ≤15 milliohms MAX.
- INSULATION RESISTANCE : 100 Megaohms MIN.
- PHYSICAL - OPERATING TEMPERATURE WITH : NITRILE RUBBER (NBR) GASKET : -40°C TO +90°C
- LIVE CONTACT DISTANCE : FORM A - 18.00mm
- ENVIRONMENTAL - IP65 SEALING PROTECTION(FIXING SCREW)

BILL OF MATERIALS

ITEM	QTY.	DESCRIPTION	MATERIAL	FINISH
12	0/2	INTEGRATED GASKET	NBR	-
11	0/2	WASHER	NBR	-
10	0/2	SCREW M3x27	STEEL	ZINC
9	0/2	FLAT GASKET	NBR/SILICONE	-
8	0/2	PROFILE GASKET	NBR/SILICONE	-
7	0/2	SCREW M3x25	STEEL	ZINC
6	2	LABEL WHITE	ABS	-
5	0/2	PCB	-	-
4	2	INSERT DIN A	PA66+25%G V0	-
3	8	CONTACT DIN	BRASS	SILVER
2	-	MOULDING MATERIAL	PP	-
1	-	CABLE (SEE SHEET 3)	-	-

THIS DRAWING CONTAINS INFORMATION THAT IS PROPRIETARY TO MOLEX ELECTRONIC TECHNOLOGIES, LLC AND SHOULD NOT BE USED WITHOUT WRITTEN PERMISSION

DIMENSION UNITS	SCALE	CURRENT REV DESC: OBSOLETE PART NUMBERS	
mm	1:1		
GENERAL TOLERANCES (UNLESS SPECIFIED)			
ANGULAR TOL	± 1.0°		
4 PLACES	±	EC NO: 650268	2020/10/29
3 PLACES	±	DRWN: SUGEEB	2020/12/18
2 PLACES	± 0.05	CHK'D: GGA	2020/12/18
1 PLACE	± 0.3	APPR: GGA	2020/12/18
0 PLACES	± 0.5	INITIAL REVISION:	
DRAFT WHERE APPLICABLE MUST REMAIN WITHIN DIMENSIONS		DRWN: SSM	2020/07/31
THIRD ANGLE PROJECTION		APPR: RSILLER	2020/09/04
DRAWING	SERIES	MATERIAL NUMBER	CUSTOMER
A3-SIZE	121055	SEE SHEET 4	GENERAL MARKET
DOCUMENT NUMBER		DOC TYPE	DOC PART
1210550038		PSD	000
REVISION		SHEET NUMBER	
A1		1 OF 4	

**molex**

STANDARD E653 DIN FORM A

PRODUCT CUSTOMER DRAWING

DATE: 2020/01/14

# ENGINEERING No. MATRIX

**E 6 5 3 X X X X X X 1 X X X X**

E - Packing without bag  
W - Single Packing  
Q - Quick Packing

Number of Wires  
2 - 2 Poles  
3 - 2 Poles + Ground  
A - M12 STR , B - 90°

Cable type:  
See Table

Head Colour:  
G - Grey  
N - Black  
A - CSA-UL Black  
B - CSA-UL Grey

Cable Length in Meters (L):  
A=1  
B=1.5  
C=2  
D=2.5  
E=3  
F=3.5  
G=4  
H=4.5  
L=5  
M=5.5  
N=6  
P=6.5  
Q=7  
R=7.5  
S=8  
T=8.5  
U=9  
K=10

Cable Length in cm Between 2 connectors (L1)  
15=15 cm  
30=30 cm  
1K=100 cm  
min length=13 cm

Earth PIN Location:  
1=6/12 - earth on 6H/12H  
2=12/1 earth on 12H  
6=6/1 1 earth on 6H

Internal Circuit  
see Wiring Configuration

### Type of Gasket and Screw:

- 1 = NBR Profile Gasket + Fixing Screw M3x25mm
- 2 = NBR Flat Gasket + Fixing Screw M3x25mm
- 3 = Silicone Profile Gasket + Fixing Screw M3x25mm
- 4 = Silicone Flat Gasket + Fixing Screw M3x25mm
- P = NBR Integrated Gasket + Fixing Screw with Washer M3x27mm Assembled on Connector
- R = NBR Integrated Gasket + Fixing Screw with Washer M3x27mm NOT Assembled on Connector
- T = NBR Profile Gasket + Fixing Screw with Washer M3x27mm

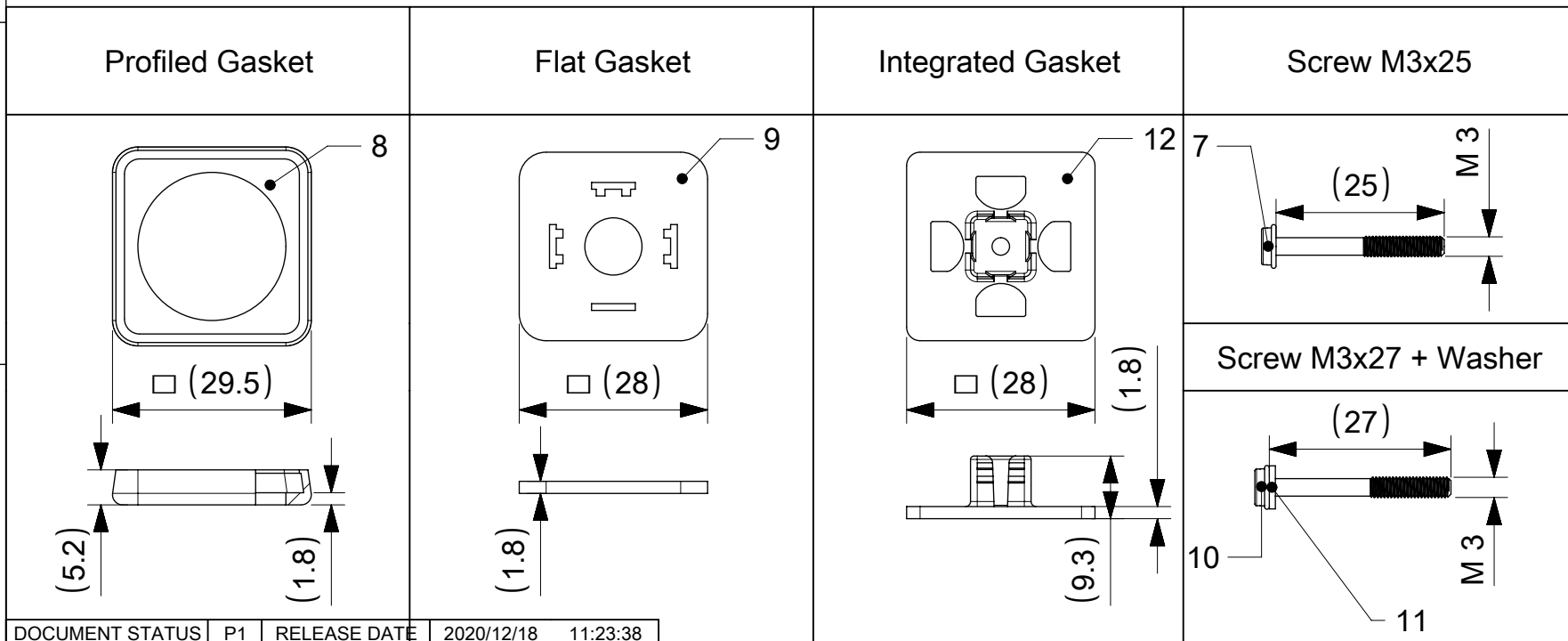
### Voltage and LED color

1= 12V  
2= 24V  
3= 48V  
4= 115V  
5= 230V  
**RED LED**

A= 12V  
B= 24V  
C= 48V  
D= 115V  
E= 230V  
**GREEN LED**

G= 12V  
H= 24V  
K= 48V  
L= 115V  
M= 230V  
**YELLOW LED**

## Type of Screws and Gaskets


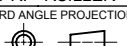


THIS DRAWING CONTAINS INFORMATION THAT IS PROPRIETARY TO MOLEX ELECTRONIC TECHNOLOGIES, LLC AND SHOULD NOT BE USED WITHOUT WRITTEN PERMISSION		CURRENT REV DESC: OBSOLETE PART NUMBERS		<b>molex</b>	
STANDARD E653 DIN FORM A		PRODUCT CUSTOMER DRAWING			
EC NO: 650268		2020/10/29		DOCUMENT NUMBER	
DRWN: SUGEEB		2020/12/18		1210550038	
CHK'D: GGA		2020/12/18		DOC TYPE	
APPR: GGA		2020/12/18		PSD	
INITIAL REVISION:		2020/07/31		DOC PART	
DRWN: SSM		2020/09/04		000	
APPR: RSILLER		2020/09/04		A1	
DRAFT WHERE APPLICABLE MUST REMAIN WITHIN DIMENSIONS		THIRD ANGLE PROJECTION		SHEET NUMBER	
DRAWING		SERIES		2 OF 4	
A3-SIZE		121055		MATERIAL NUMBER	
SEE SHEET 4		CUSTOMER		GENERAL MARKET	

# TABLE 1 - CABLES

mPm	Code	Wires	Cross Section	Material	Colour	Diameter $\phi$
I	0	3	1 mm <sup>2</sup>	PVC CEI 2022 II O.R.	Grey RAL7035	6.4±0.2 mm
A	2	2	20 AWG	PVC CSA/UL 2661	Black	5.4±0.2 mm
A	2	3	20 AWG	PVC CSA/UL 2661	Black	5.6±0.2 mm
A	2	4	20 AWG	PVC CSA/UL 2661	Black	6.2±0.25 mm
A	2	5	20 AWG	PVC CSA/UL 2661	Black	7±0.2 mm
B	2	2	20 AWG	PUR CSA/UL 20668	Black	5.6±0.2 mm
B	2	3	20 AWG	PUR CSA/UL 20668	Black	5.6±0.2 mm
B	2	4	20 AWG	PUR CSA/UL 20668	Black	6.2±0.2 mm
B	2	5	20 AWG	PUR CSA/UL 20668	Black	7±0.2 mm
D	2	3	0.5 mm <sup>2</sup>	PVC TI2 CEI 20-20	Grey	5.5±0.2 mm
F	2	3	0.5 mm <sup>2</sup>	CNEOMO	Grey RAL7000	5.5±0.2 mm
I	2	2	0.5 mm <sup>2</sup>	PVC CEI 2022 II O.R.	Grey RAL7035	5.5+0.3/-0 mm
I	2	3	0.5 mm <sup>2</sup>	PVC CEI 2022 II O.R.	Grey RAL7035	5.5+0.3/-0 mm
I	2	4	0.5 mm <sup>2</sup>	PVC CEI 2022 II O.R.	Grey RAL7035	6.5±0.2 mm
I	2	5	0.5 mm <sup>2</sup>	PVC CEI 2022 II O.R.	Grey RAL7035	7±0.2 mm
N	2	2	0.5 mm <sup>2</sup>	PVCH03	Black	5.2±0.2 mm
N	2	3	0.5 mm <sup>2</sup>	PVCH03	Black	5.5±0.2 mm
N	2	4	0.5 mm <sup>2</sup>	PVCH03	Black	6.9 mm max
P	2	2	0.5 mm <sup>2</sup>	PUR-BLEND	Black	5.5±0.2 mm
P	2	3	0.5 mm <sup>2</sup>	PUR-BLEND	Black	5.5+0.3/-0 mm
P	2	4	0.5 mm <sup>2</sup>	PUR-BLEND	Black	6.5±0.2 mm
P	2	5	0.5 mm <sup>2</sup>	PUR-BLEND	Black	7+0.3/-0.1 mm
A	3	2	18 AWG	PVC CSA/UL 2661	Black	6.5±0.25 mm
A	3	3	18 AWG	PVC CSA/UL 2661	Black	6.5±0.25 mm
A	3	4	18 AWG	PVC CSA/UL 2661	Black	7±0.3 mm
A	3	5	18 AWG	PVC CSA/UL 2661	Black	7.8±0.25 mm
B	3	2	18 AWG	PUR CSA/UL 20668	Black	6.8±0.2 mm
B	3	3	18 AWG	PUR CSA/UL 20668	Black	6.5±0.2 mm
B	3	4	18 AWG	PUR CSA/UL 20668	Black	7±0.2 mm
B	3	5	18 AWG	PUR CSA/UL 20668	Black	7.8±0.2 mm
D	3	3	0.75 mm <sup>2</sup>	PVC TI2 CEI 20-20	Grey	6.5±0.2 mm
D	3	4	0.75 mm <sup>2</sup>	PVC TI2 CEI 20-20	Grey	7.1±0.2 mm
I	3	2	0.75 mm <sup>2</sup>	PVC CEI 2022 II O.R.	Grey RAL7001	5.5±0.2 mm
I	3	3	0.75 mm <sup>2</sup>	PVC CEI 2022 II O.R.	Grey RAL7035	6±0.2 mm
I	3	4	0.75 mm <sup>2</sup>	PVC CEI 2022 II O.R.	Grey RAL7035	7±0.2 mm
N	3	2	0.75 mm <sup>2</sup>	PVCH05	Black	6.2±0.2 mm
N	3	3	0.75 mm <sup>2</sup>	PVCH05	Black	6.5±0.2 mm
N	3	4	0.75 mm <sup>2</sup>	PVCH05	Black	7.1±0.2 mm
N	3	5	0.75 mm <sup>2</sup>	PVCH05	Black	8.0+0.2/-0 mm
P	3	2	0.75 mm <sup>2</sup>	PUR-BLEND	Black	6.5±0.2 mm

mPm	Code	Wires	Cross Section	Material	Colour	Diameter $\phi$
P	3	3	0.75 mm <sup>2</sup>	PUR-BLEND	Black	6.5±0.2 mm
P	3	4	0.75 mm <sup>2</sup>	PUR-BLEND	Black	7±0.2 mm
R	3	3	0.75 mm <sup>2</sup>	TPR HAL. FREE	Black	6.5±0.2 mm
T	3	3	0.75 mm <sup>2</sup>	PUR CSA/UL	Yellow	6.5±0.2 mm
Y	3	3	0.75 mm <sup>2</sup>	SIL/0300	Red	6.5±0.2 mm
F	4	3	1 mm <sup>2</sup>	CNEOMO	Grey RAL7000	7.1+0.2/-0 mm
F	4	4	1 mm <sup>2</sup>	CNEOMO	Grey RAL7000	7.1+0.2/-0 mm
I	4	2	1 mm <sup>2</sup>	PVC CEI 2022 II O.R.	Grey RAL7035	7.1+0.2/-0 mm
I	4	3	1 mm <sup>2</sup>	PVC CEI 2022 II O.R.	Grey RAL7035	7.1+0.2/-0 mm
N	4	2	1 mm <sup>2</sup>	PVCH05	Black	6.5±0.2 mm
N	4	3	1 mm <sup>2</sup>	PVCH05	Black	6.9±0.2 mm
R	4	3	1 mm <sup>2</sup>	TPR HAL. FREE	Black	7.1±0.2 mm
N	5	3	1.5 mm <sup>2</sup>	PVCH05	Black	8.3+0.2/-0 mm
I	6	2	0.35 mm <sup>2</sup>	PVC CEI 2022 II O.R.	Grey RAL7035	4.8±0.2 mm
A	7	3	20 AWG	PVC CSA/UL 2661	Yellow	5.6±0.2 mm
I	9	4	0.75 mm <sup>2</sup>	PVC CEI 2022 II O.R.	Grey RAL7035	7.3±0.2 mm

THIS DRAWING CONTAINS INFORMATION THAT IS PROPRIETARY TO MOLEX ELECTRONIC TECHNOLOGIES, LLC AND SHOULD NOT BE USED WITHOUT WRITTEN PERMISSION									
DIMENSION UNITS	SCALE	CURRENT REV DESC: OBSOLETE PART NUMBERS							
mm	1:1								
GENERAL TOLERANCES (UNLESS SPECIFIED)									
ANGULAR TOL	± 1.0°	STANDARD E653 DIN FORM A							
4 PLACES	±	PRODUCT CUSTOMER DRAWING							
3 PLACES	±	EC NO: 650268 DRWN: SUGEEB 2020/10/29 CHK'D: GGA 2020/12/18 APPR: GGA 2020/12/18							
2 PLACES	± 0.05	INITIAL REVISION:							
1 PLACE	± 0.3	DRWN: SSM 2020/07/31 APPR: RSILLER 2020/09/04							
0 PLACES	± 0.5	DOCUMENT NUMBER		DOC TYPE		DOC PART		REVISION	
DRAFT WHERE APPLICABLE MUST REMAIN WITHIN DIMENSIONS		1210550038		PSD		000		A1	
THIRD ANGLE PROJECTION		DRAWING		SERIES		MATERIAL NUMBER		CUSTOMER	
		A3-SIZE		121055		SEE SHEET 4		GENERAL MARKET	
								SHEET NUMBER	
								3 OF 4	

