

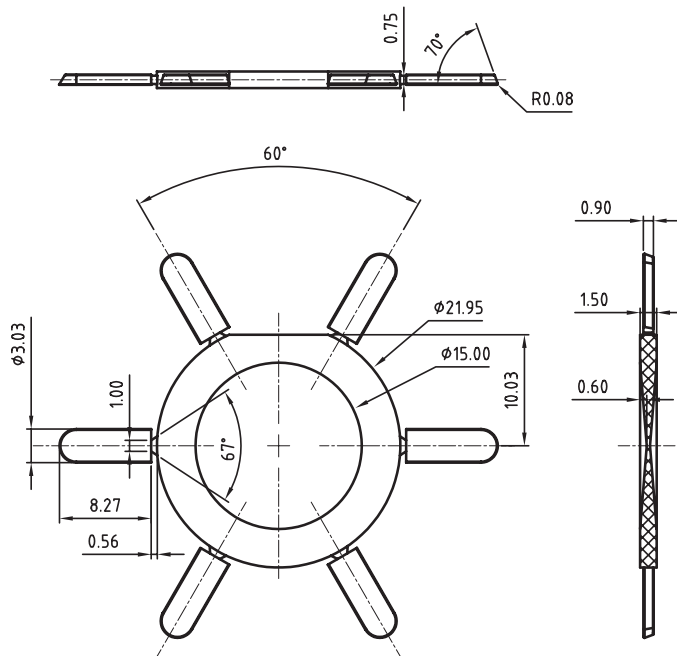
1

2

3

4

5



#### TECHNICAL CHARACTERISTICS

MATERIAL  
INSULATOR: PA 66  
FLAMABILITY RATING: UL94-V0  
COLOR: RED

ENVIRONMENTAL  
OPERATING TEMPERATURE: -40 UP TO 105°C  
COMPLIANCE: LEAD FREE AND ROHS

MECHANICAL  
APPLICABLE PITCH: 5.00 - 5.08 & 7.62MM

PACKAGING: BOX

#### INSTRUCTION FOR USE

By using a coding key you avoid any risk of mis-plugging

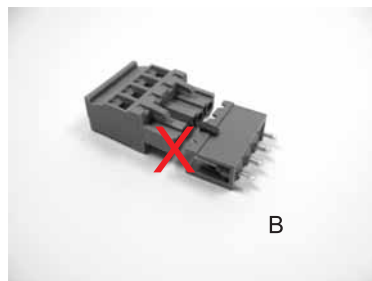
For this you must add/break one part of the:  
- 691 399 900 002 in the PCB connector  
- 691 399 900 001 in the plug

If keys are on different pin n° (on the plug and PCB connector)  
mating remains possible (see photo A)  
If keys are on the same pin ° (on the plug and PCB connector)  
mating becomes not possible anymore (see photo B)

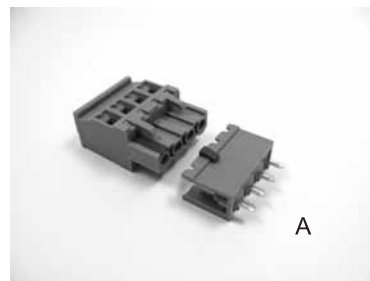
PLUG



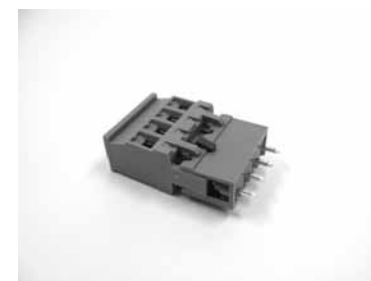
PCB



B



A



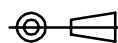
A

B

C

RoHS Compliant

PROJECTION:



GENERAL TOLERANCE

.X = +/- 0.2

.XX = +/- 0.15



WÜRTH ELEKTRONIK

APPROVAL: RJ

UNIT: MM

SCALE:

SHEET: 1/1

DRAW: MARVIN

DESCRIPTION: CODING KEY FOR 5.00 - 5.08 & 7.62MM PITCH SERIES  
WR-TBL

WERI PART NO: 691 399 900 001

SIZE

A4

D

G			
F			
E			
D			
C			
B			
A	05-NOV-08	PDF	JP
REV	DATE	FILE	BY