

TLI. Hook clamps

Steel or stainless steel



STANDARD EXECUTIONS

- **TLI.Z:** zinc-plated steel.
- **TLI.SST:** AISI 304 stainless steel.

SPECIAL EXECUTIONS ON REQUEST

Hook clamps in unplated steel or nickel-plated steel.



TLV. Hook clamps

Steel or stainless steel

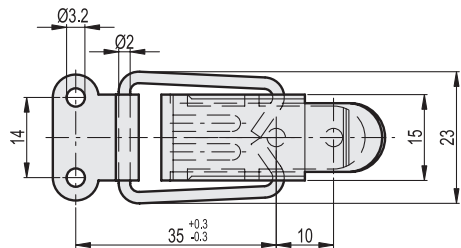
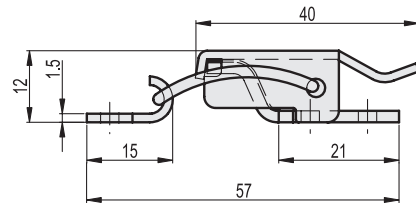
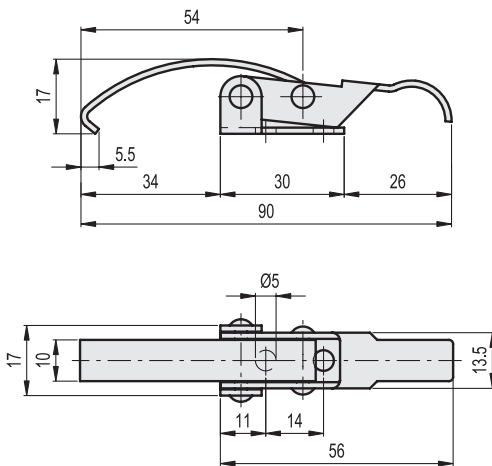


STANDARD EXECUTIONS

- **TLV.Z:** zinc-plated steel.
- **TLV.SST:** AISI 304 stainless steel.

SPECIAL EXECUTIONS ON REQUEST

Catch brackets in different shapes and finishes.



TLI.Z



Code	Description	Max. working load [N]	Load at breakage [N]	⚖️
420131	TLI.Z-13.5/90	500	900	28

TLV.Z



Code	Description	Max. working load [N]	Load at breakage [N]	⚖️
420243	TLV.Z-15/56+R	550	1000	23

TLI.SST



420132	TLI.SST-13.5/90	500	900	28
--------	-----------------	-----	-----	----

TLV.SST



420242	TLV.SST-15/56+R	550	1000	23
--------	-----------------	-----	------	----



Latches