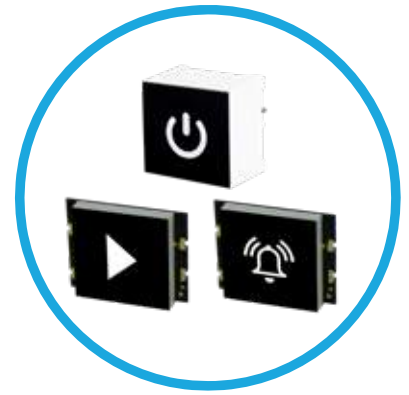




Overlay for CTH & CSM Series Reverse Printed Standard Icons 0.59" x 0.59"



Standard overlay icons especially designed for the CTH and CSM series. Optically clear adhesive for easy installation, high cohesive, and long term durability

Application

- Mobile communication devices
- Electronic devices
- Point of sale terminals
- Industrial control displays
- Touch screen monitors
- Media players
- Food service appliances
- Appliances and consumer equipments

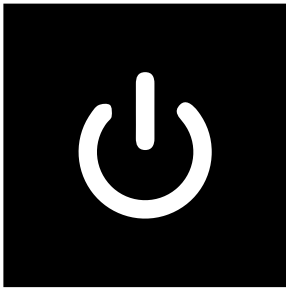
Key features

- Standard Icons: Arrow, On/OFF, Alarm
- Icons combines interactive control with color identification to ease and accelerate user interactions for any device
- Reverse printed translucent clear icons for capacitive touch sensor LED backlighting
- Overlay lamination with optically clear adhesive
- Optically clear adhesive for easy installation, high cohesive, and long term durability
- When the CTH or CSM are turned off you can still see the standard icon overlay
- Offers high-temperature capability, high hardness, use resistance, and chemical inertness
- Custom icons are also available upon request [contact a VCC representative]
- Suggested overlay size: 0.590" x 0.590"
- Icon protected by transparent removable film

Ordering Data

The Overlay is available in 3 different standard icons simply choose one option from each column:

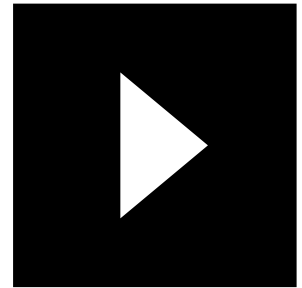
Series	Type	Icon
CTH	OVERLAY	
		↓
		ALARM
		ONOFF
		ARROW



SKU: CTHOVERLAYALARM



SKU: CTHOVERLAYALARM

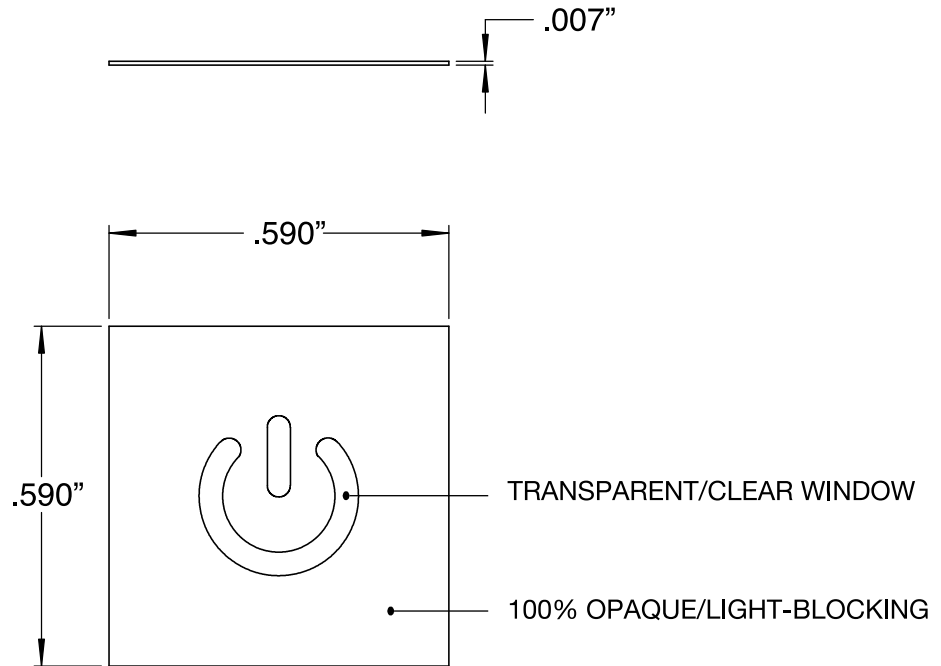


SKU: CTHOVERLAYALARM

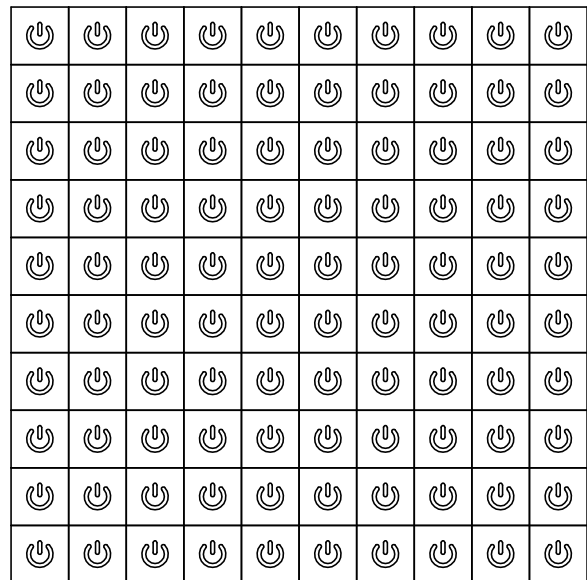
Product Specifications

Substrate material: Lexan 8010

Adhesive material: Optically clear adhesive

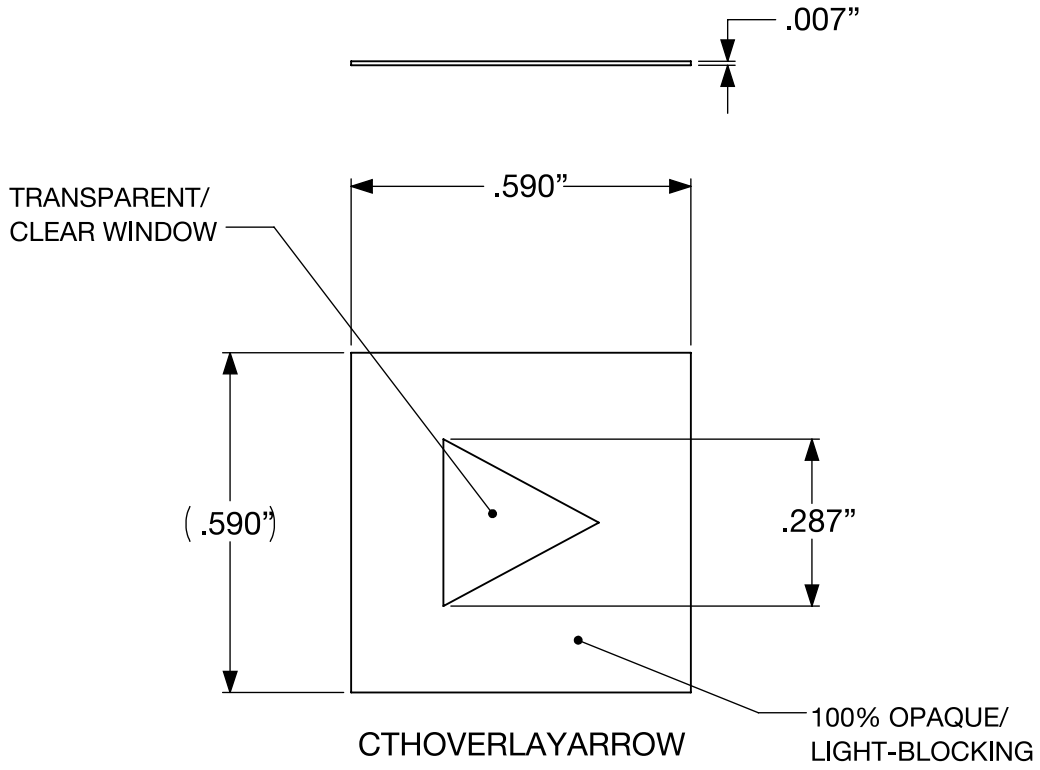


Dimensions are in inches



10 X 10 Kiss Cut Sheet

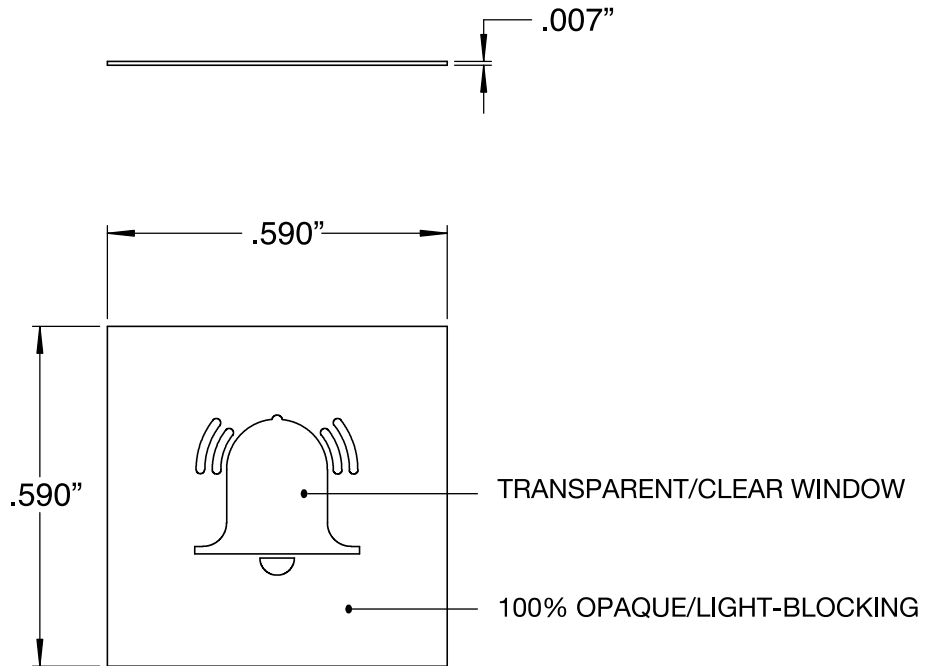
CTHOVERLAYARROW



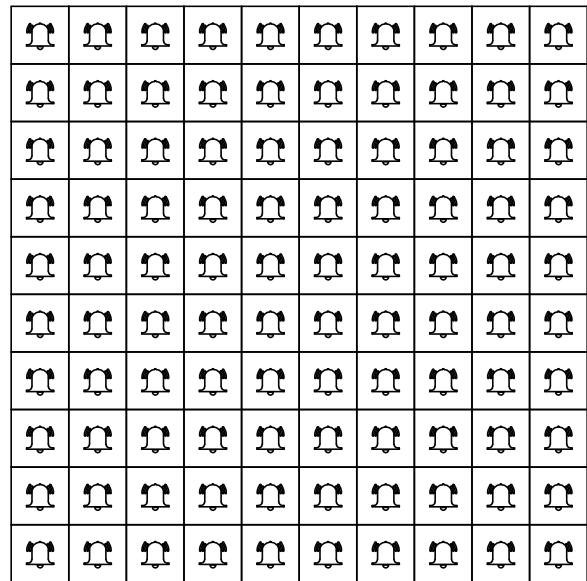
Dimensions are in inches



CTHOVERLAYALARM



Dimensions are in inches



10 X 10 Kiss Cut Sheet

Overlay Installation Instructions

Professional service technicians use grounding straps to minimize the chances of electrostatic discharge (ESD) during normal maintenance involving electronic devices. These antistatic devices may be placed around the wrists or ankles to ground the technician to the system being worked on. These straps release any static present on the technician's body and pass it harmlessly to ground potential. Use the appropriate equipment.

An antistatic bag is a bag used to store electronic components, which are prone to damage caused electrostatic discharge (ESD).

Steps:

Note: if using reflow soldering the overlay must be installed afterwards as a second operation

- 1) Peel the overlay (adhesive) off its white sheet without removing the transparent film (**Figure 1**)
- 2) Apply the overlay over the capacitive touch sensor component (**Figure 2**) without removing the protective face line. Be sure to align or orientate the overlay properly.
- 3) Be sure check for no contamination in the ignition zone this can be done with electrical test (**Figure 4,5,6**)
- 4) The protective film can either be removed in the assembly line or by the end user

Figure 1

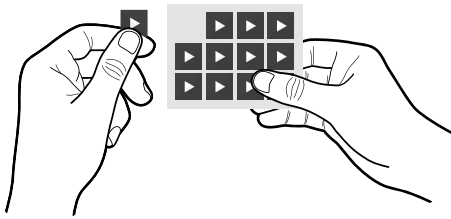


Figure 2

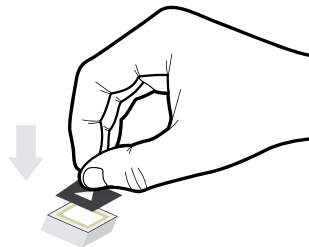


Figure 3

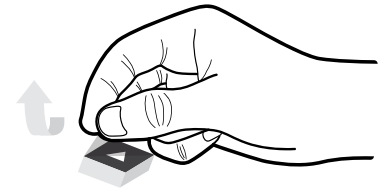


Figure 4

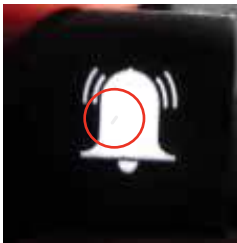
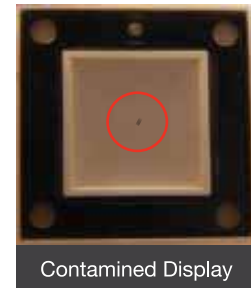


Figure 5



Figure 6



Compliances and Approvals

