

# PRA-GLB | Profile for GLB side guides

Stainless steel



- 1
- 2
- 3
- 4
- 5
- 6
- 7
- 8
- 9
- 10**
- 11
- 12
- 13
- 14
- 15
- RH

## MATERIAL

AISI 304 stainless steel

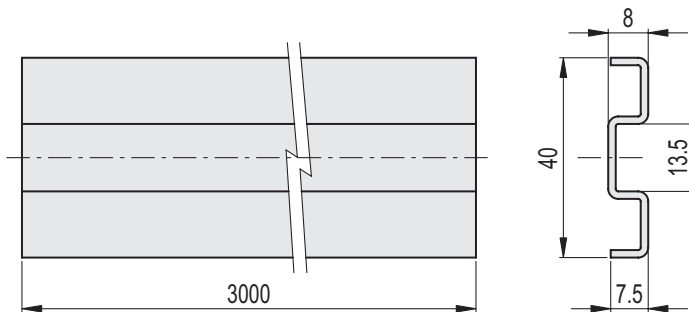
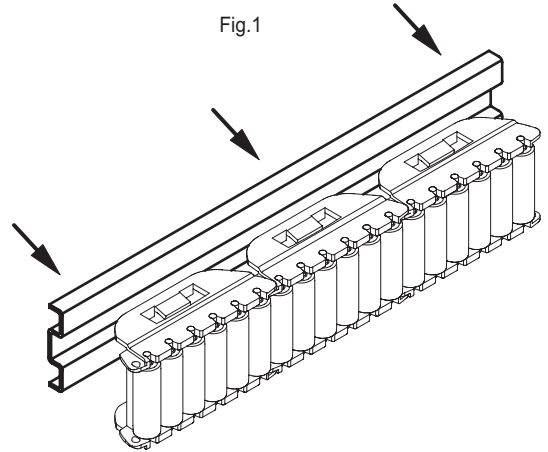
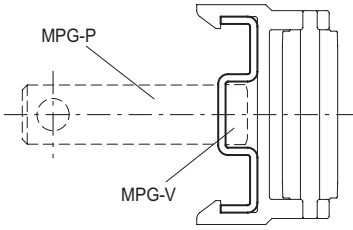
## FEATURES AND APPLICATIONS

PRA-GLB profile is used for GLB-1 and GLB-2 side guides assembly (Fig.1).

Supplied in bars not drilled of 3 meters length, to allow the drilling during the assembly.

## ACCESSORIES ON REQUEST

- MPG-P: assembly pin.
- MPG-V: zinc-plated steel hammer head screw. (see GLA-1).



| Code   | Description     |      |
|--------|-----------------|------|
| 419181 | PRA-GLB-40-3000 | 2020 |