

LAY IN WIREWAY

BUL10304

REV. A

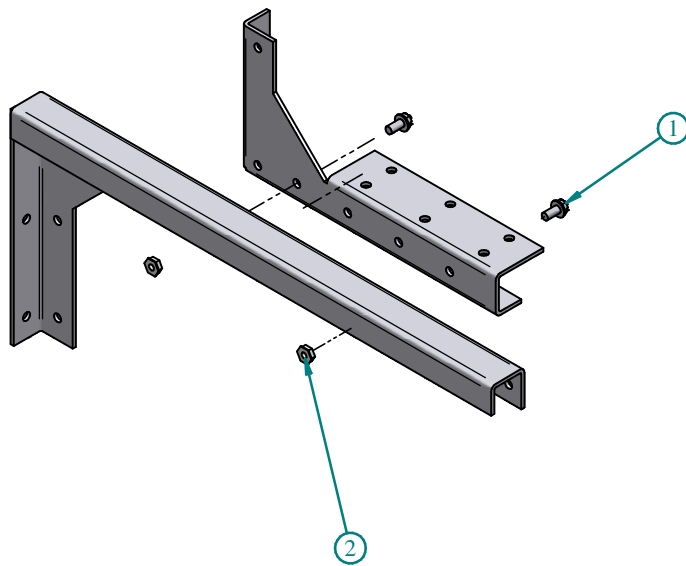
ASSEMBLY INSTRUCTIONS FOR LAY IN WIREWAY BRACKET HANGERS

INSTRUCTIONS :

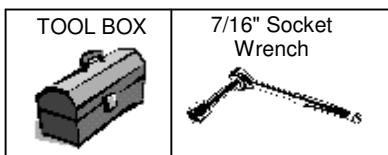
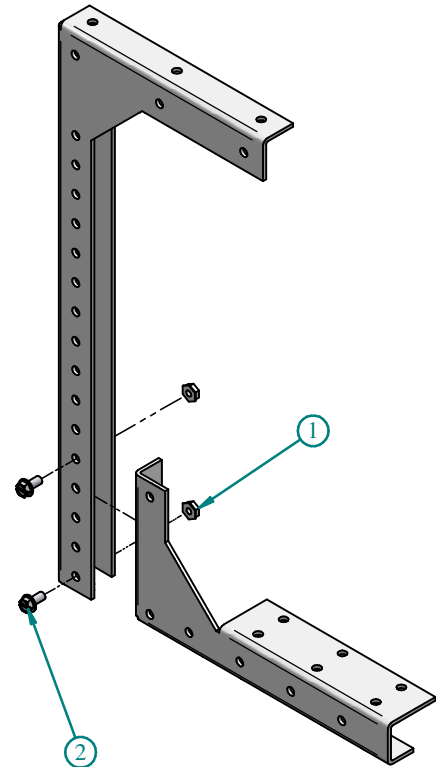
- A) LOCATE TWO PARTS OF BRACKET AND SECURE TOGETHER BY SUPPLIED FASTENERS.
- B) SECURE ASSEMBLED BRACKET TO WALL OR CEILING (HARDWARE NOT SUPPLIED)
- C) PARTS MAY BE ASSEMBLED DIFFERENTLY TO ACHIEVE DESIRED METHOD OF HANGING.

ITEM #	DESCRIPTION
1	1/4-20 X 1/2 HEX SLOT BOLT
2	NUT 1/4-20 KEP ZP

CWHW
BRACKET HANGER
WALL TYPE



CWHD
BRACKET HANGER
CEILING TYPE



 **HAMMOND
MANUFACTURING™**
ENCLOSURES