

**CASE**

Zinc-plated steel.

**BEZEL**

AISI 303 stainless steel.

**WINDOW**

Glass.

**DIAL**

Natural matte anodised aluminium.

Clockwise or anti-clockwise graduation, black colour.

**READING**

The black pointer indicates the number of turns of the spindle from the start position (0); the red pointer indicates the fractions of turn.

**RATIO**

To choose the ratio see "Positive drive indicators" (on page 726).

**FEATURES AND APPLICATIONS**

Digital-analogue positive drive indicators are suitable with spindles in any position.

To choose the handwheel see the table "handwheels/knobs-possible assembly with indicators" (on page 727).

**SPECIAL EXECUTIONS ON REQUEST**

- Special dial with logo or customised graduations
- Special ratios
- Single pointer
- Window in plexiglass instead of glass.



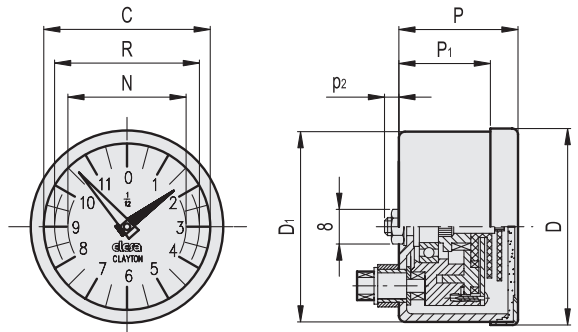
ELESA Original design

**Conversion Table**  
1 mm = 0.039 inch

D	
mm	inch
49.6	1.95
68.4	2.69
112.7	4.44

**METRIC**

Series	D	P	D1	P1	p2	C	R	N	⚖️
PA01	49.6	30	48.3	20.5	1.6	42	37	30	145
PA02	68.4	32	67.0	19.3	1.0	60	51	44	215
PA05	112.7	32	111.0	18.8	1.0	102	89	76	425



Example of description for ordering



Series

Ratio

Graduation

Increasing graduation

clockwise **D** anti-clockwise **S**



Ratio	Description	Ratio	Description	Ratio	Description	Ratio	Description
2	0002	12	0012	36	0036	100	0100
4	0004	15	0015	40	0040	120	0120
5	0005	16	0016	48	0048	150 *	0150
6	0006	20	0020	50	0050	200 *	0200
8	0008	24	0024	60	0060		
10	0010	30	0030	72	0072		

\* Available only for PA02 and PA05

