

Data sheet

E-DAT modul IP20 AP housing

Page 1/5

P/N

1309450003-E

EAN 4250184112990

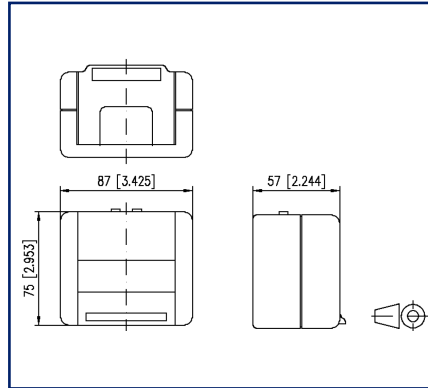
2022/07/15

Version: L

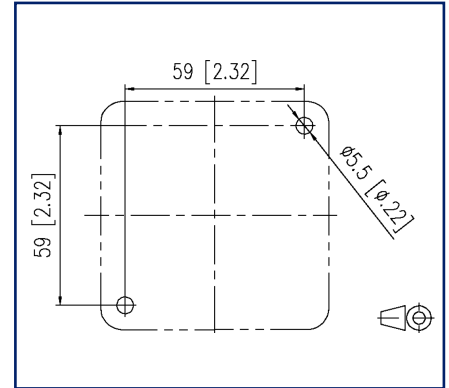
Illustrations



Dimensional drawing



Drill pattern



See enlarged drawings at the end of document

Product specification

- IP20 surface-mounted housing for two individual modules in Modul design
- identical to E-DAT modul IP44 AP but, due to the opening in the housing cover, it remains closed when patch cables are plugged in
- cable feed for one or two cables from the top
- break-proof
- gray color



P | Cabling

Data sheet E-DAT modul IP20 AP housing

Page 2/5

P/N
1309450003-E
EAN 4250184112990
2022/07/15
Version: L

Technical Data

General Data

| | |
|---|-----------------------------------|
| Fields of application | office areas |
| Mechanical measurement according to MICE | M1 |
| Ingress measurement according to MICE | I1 |
| Climatic measurement according to MICE | C1 |
| Electromagnetic measurement according to MICE | E3 |
| Design | wall outlet |
| Mounting style | AP |
| Color | gray |
| Dimensions | |
| Dimension (L x W x H) | 57 mm x 87 mm x 75 mm |
| Dimension (L x W x H) | 2.244 in. x 3.425 in. x 2.953 in. |
| Modularity | yes |
| Labeling option | on housing |

Connections/interfaces

| | |
|--------------------------------------|------------------|
| Number of ports interface 2 | 2 |
| Number of ports interface 2 equipped | 0 |
| Cable access/outlet | 90° from the top |

Mechanical data

| | |
|---------|--------|
| Cut-out | module |
|---------|--------|

Materials and material properties

| | |
|--------------------|--|
| Material - Housing | Thermoplastic |
| Halogen free | yes |
| Silicone free | no paint wetting interfering substances (LaBS) in the process chain |
| LaBS Note | subsequent contamination possible due to handling and possible storage in your company |
| RoHS | compliant |
| REACH | compliant |

P | Cabling

Data sheet

Page 3/5

E-DAT modul IP20 AP housing

P/N

1309450003-E

EAN 4250184112990

2022/07/15

Version: L

Technical Data

Environmental conditions

| | |
|--------------------------|------|
| Particulate ingress | IP2X |
| Liquid ingress/immersion | IPX0 |

Classifications

| | |
|----------|----------|
| ETIM 5.0 | EC001264 |
| ETIM 6.0 | EC001264 |
| ETIM 7.0 | EC001264 |
| ETIM 8.0 | EC001264 |

Packing details

| | |
|---------------------------------|-----------------------------------|
| Type of packaging | 1 pc(s) / box |
| Packaging unit - Weight (gram) | 130 g |
| Packaging unit - Weight (pound) | 0.29 lb |
| Packaging dimension | 115 mm x 93 mm x 90 mm |
| Packaging dimension | 4.528 in. x 3.661 in. x 3.543 in. |



P | Cabling

Data sheet

E-DAT modul IP20 AP housing

Page 4/5

P/N

1309450003-E

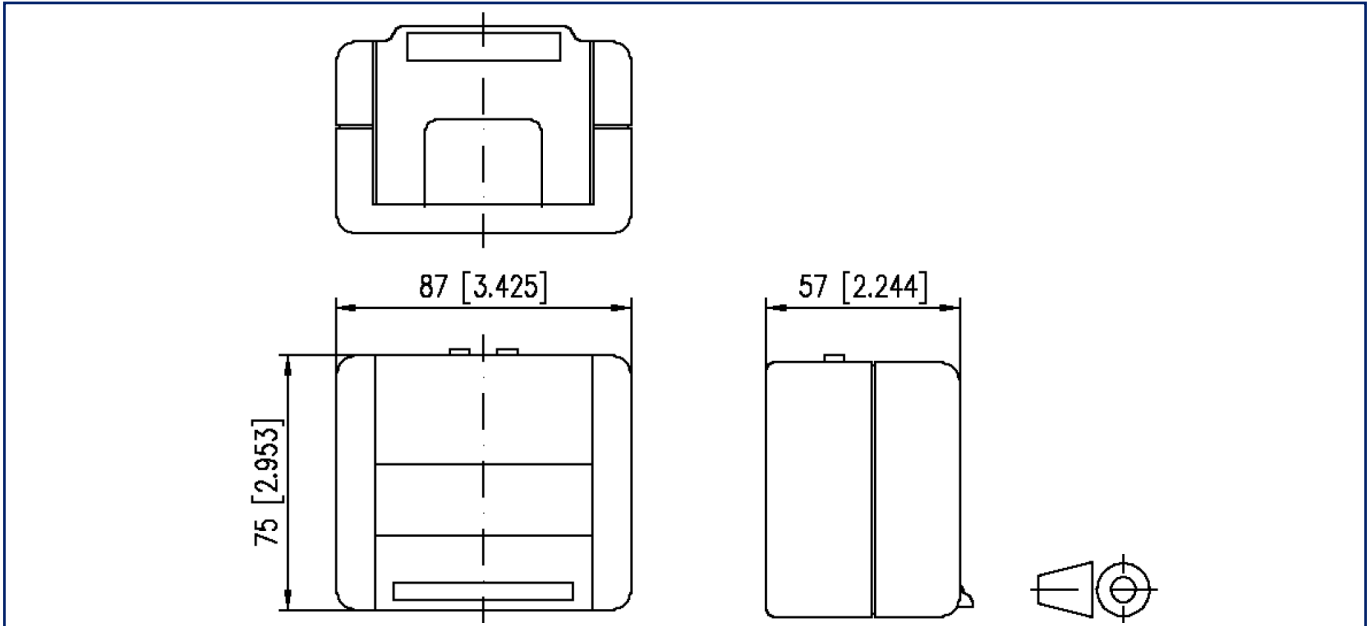
EAN 4250184112990

2022/07/15

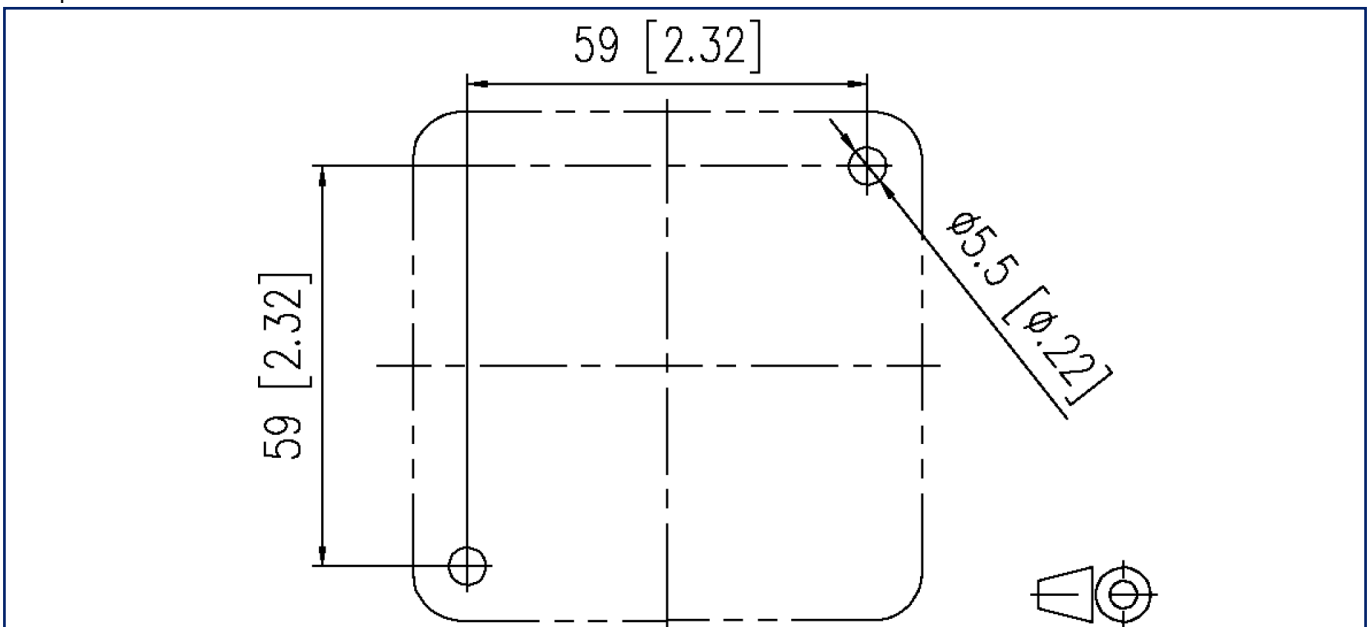
Version: L

Illustrations

Dimensional drawing



Drill pattern



P | Cabling

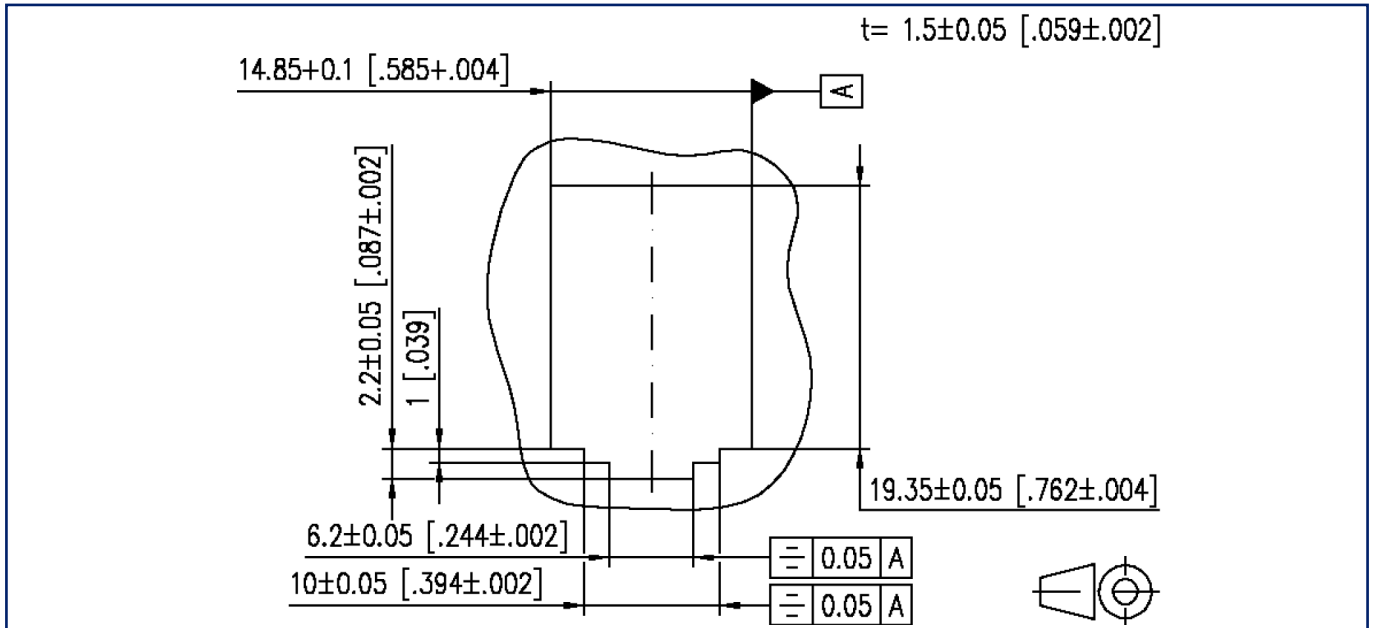
Data sheet E-DAT modul IP20 AP housing

Page 5/5

P/N
1309450003-E
EAN 4250184112990
2022/07/15
Version: L

Illustrations

Cut-out



© 2022 METZ CONNECT - Technische Änderungen vorbehalten! Subject to modifications! Sous réserve de modifications techniques!

