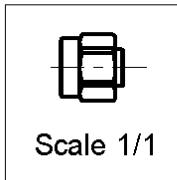
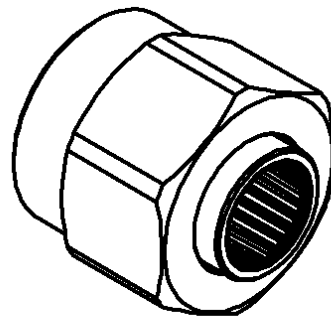
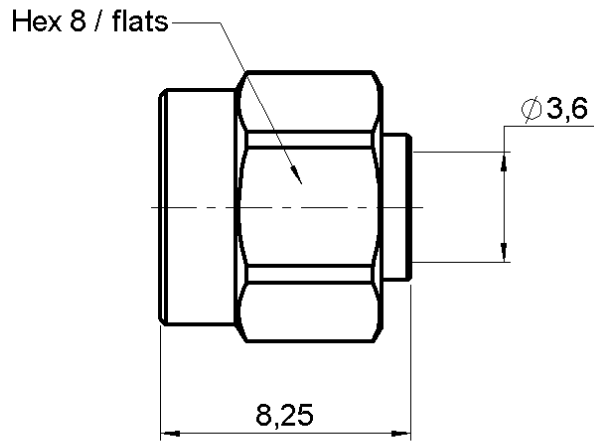


**STRAIGHT PLUG CRIMP TYPE**  
**REMOVABLE CAP - CABLE .141**

**R125.053.901**

Series : SMA



All dimensions are in mm.



COMPONENTS	MATERIALS	PLATINGS (µm)
BODY	STAINLESS STEEL	PASSIVATED .
CENTER CONTACT	-	-
OUTER CONTACT	-	-
INSULATOR	-	-
GASKET	SILICONE RUBBER	-
OTHERS PARTS	STAINLESS STEEL	PASSIVATED .
-	-	-
-	-	-

Issue : 0344 A

In the effort to improve our products, we reserve the right to make changes judged to be necessary.



**STRAIGHT PLUG CRIMP TYPE**  
**REMOVABLE CAP - CABLE .141**

**R125.053.901**

Series : SMA

**PACKAGING**

Standard	Unit	Other
<b>100</b>	<b>'W' option</b>	<b>Contact us</b>

**SPECIFICATION**

**ELECTRICAL CHARACTERISTICS**

Impedance		<b>50</b> Ω
Frequency		<b>0-18</b> GHz
VSWR	<b>1.05</b> +	<b>0.010</b> x F(GHz) Maxi
Insertion loss		<b>0.03</b> √F(GHz) dB Maxi
RF leakage	- (	<b>60</b> - F(GHz)) dB Maxi
Voltage rating		<b>500</b> Veff Maxi
Dielectric withstanding voltage		<b>1000</b> Veff mini
Insulation resistance		<b>5000</b> MΩ mini

**CABLE ASSEMBLY**

Stripping	a	b	c	d	e	f
mm	2.16	0.00	0.00	0.00	0.00	0.00

Assembly instruction :

Recommended cable(s)  
RG 402  
KS 2

Characteristics indicated on this data sheet are those that can be achieved with the highest performance cable. Intrinsic limitations of the cable may diminish the performance of the assembly

Cable retention

- pull off **270** N mini  
- torque **NA** N.cm

**MECHANICAL CHARACTERISTICS**

Center contact retention		
Axial force – Mating end	<b>NA</b>	N mini
Axial force – Opposite end	<b>NA</b>	N mini
Torque	<b>NA</b>	N.cm mini

Recommended torque		
Mating	<b>100</b>	N.cm
Panel nut	<b>NA</b>	N.cm
Clamp nut	<b>NA</b>	N.cm
A/F clamp nut	<b>0.000</b>	mm

Mating life	<b>500</b>	Cycles mini
Weight	<b>2.100</b>	g

**TOOLING**

Part Number	Description	Hexagon
.	.	.
R282.053.000	STRIPPING TOOL	-
R282.066.000	POINTER GAUGE	-
R282.711.000	GUIDE	-
R282.286.000	CRIMPING TOOL	-
R282.700.000	POSITIONER	-
R282.255.000	PNEUMATIC CRIMPING TOOL	

**ENVIRONMENTAL**

Operating temperature	<b>-65/+105</b>	° C
Hermetic seal	<b>NA</b>	Atm.cm3/s
Panel leakage	<b>NA</b>	

**OTHERS CHARACTERISTICS**

Issue : 0344 A

In the effort to improve our products, we reserve the right to make changes judged to be necessary.

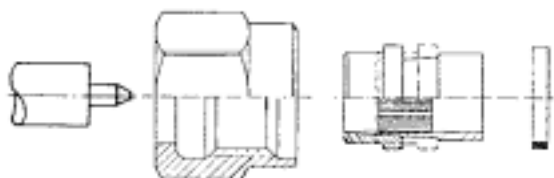


**STRAIGHT PLUG CRIMP TYPE**  
**REMOVABLE CAP - CABLE .141**

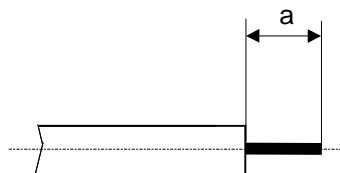
**R125.053.901**

Series : SMA

**COMPONENTS**

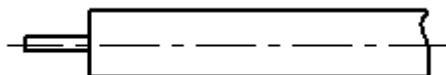


**STIPPING DIMENSIONS**



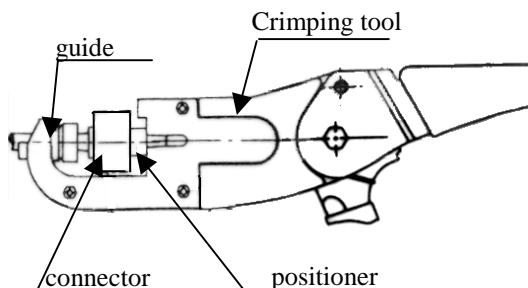
1

-Strip the cable with the cable stripping tool  
 -Trim the cable inner conductor with the trimmer.



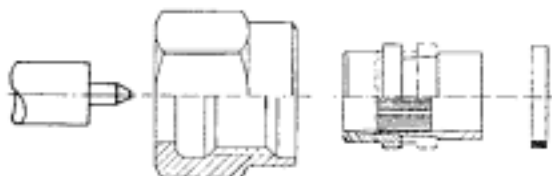
3

Insert the connector and the cable on the crimping tool with guide and positioner.  
 A pneumatic crimping tool exist too that can be used



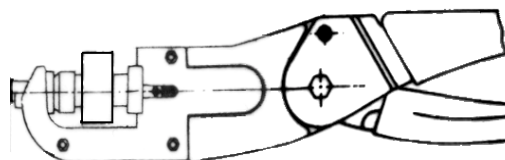
2

-Slide connector onto the cable



4

-Press the connector on the cable.



Issue : 0344 A

In the effort to improve our products, we reserve the right to make changes judged to be necessary.

