



# PCA8565A

## Real-time clock/calendar

Rev. 3 — 1 September 2014

Product data sheet

## 1. General description

---

The PCA8565A is a CMOS<sup>1</sup> Real-Time Clock (RTC) and calendar optimized for low power consumption. A programmable clock output, interrupt output, and voltage-low detector are also provided. All addresses and data are transferred serially via a two-line bidirectional I<sup>2</sup>C-bus. Maximum bus speed is 400 kbit/s. The built-in word address register is incremented automatically after each written or read data byte.

For a selection of NXP Real-Time Clocks, see [Table 37 on page 39](#)

## 2. Features and benefits

---

- AEC-Q100 compliant for automotive applications
- Provides year, month, day, weekday, hours, minutes, and seconds based on 32.768 kHz quartz crystal
- Clock operating voltage: 1.8 V to 5.5 V
- Extended operating temperature range: -40 °C to +125 °C
- Low backup current: typical 0.65 μA at V<sub>DD</sub> = 3.0 V and T<sub>amb</sub> = 25 °C
- 400 kHz two-line I<sup>2</sup>C-bus interface (at V<sub>DD</sub> = 1.8 V to 5.5 V)
- Programmable clock output for peripheral devices (32.768 kHz, 1.024 kHz, 32 Hz, and 1 Hz)
- Alarm and timer functions
- Two integrated oscillator capacitors
- Internal Power-On Reset (POR)
- I<sup>2</sup>C-bus slave address: read A3h; write A2h
- Open-drain interrupt pin

## 3. Applications

---

- Automotive
- Industrial
- Applications that require a wide operating temperature range

---

1. The definition of the abbreviations and acronyms used in this data sheet can be found in [Section 21](#).



## 4. Ordering information

Table 1. Ordering information

Type number	Package		
	Name	Description	Version
PCA8565AU	wire bond die	9 bonding pads	PCA8565AU

### 4.1 Ordering options

Table 2. Ordering options

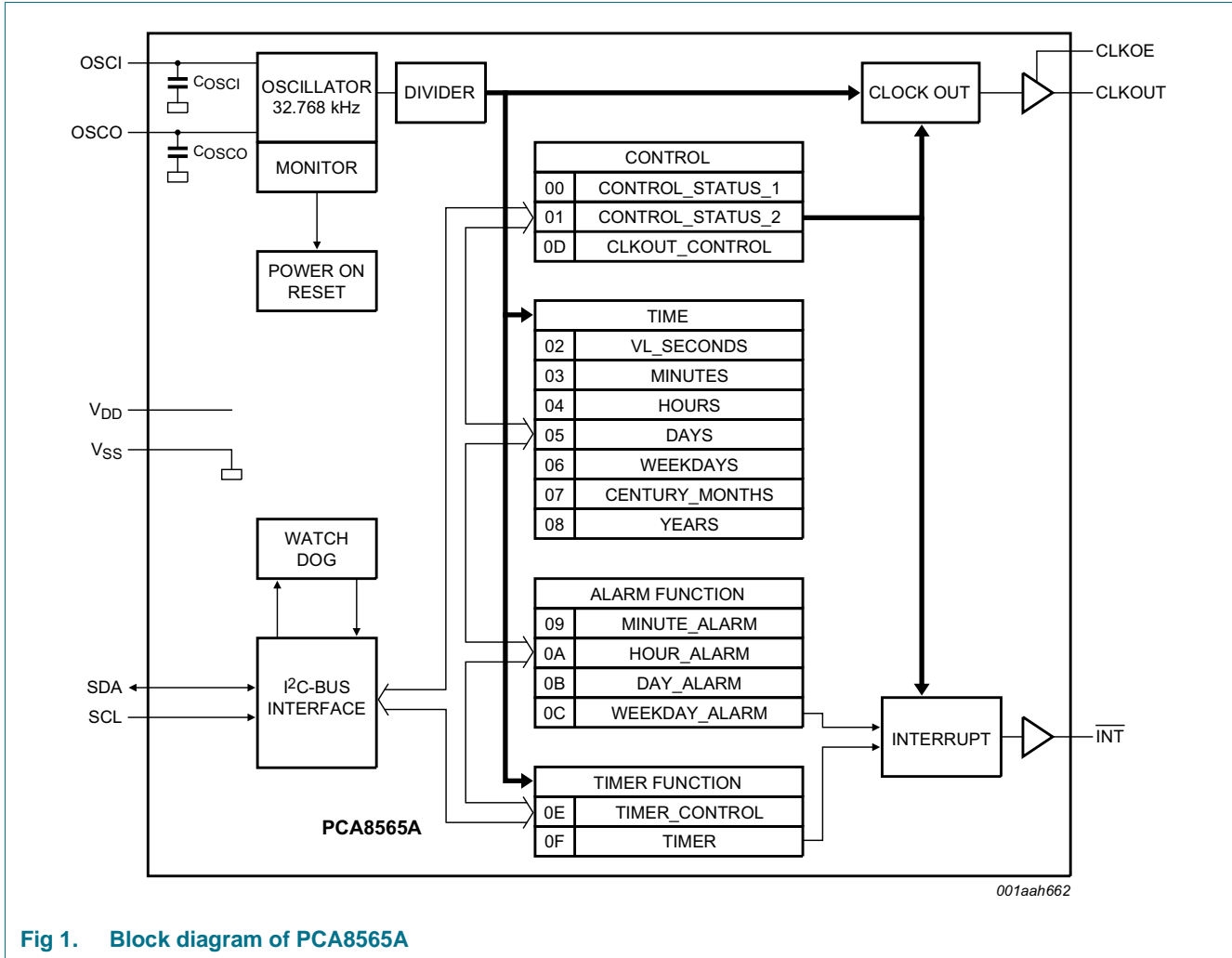
Product type number	Orderable part number	Sales item (12NC)	Delivery form	IC revision
PCA8565AU/5BB/1	PCA8565AU/5BB/1,01	935289264015	unsawn wafer; thickness 280 µm	1

## 5. Marking

Table 3. Marking codes

Type number	Marking code
PCA8565AU/5BB/1	PC8565A-1

**6. Block diagram**



**Fig 1. Block diagram of PCA8565A**

## 7. Pinning information

### 7.1 Pinning

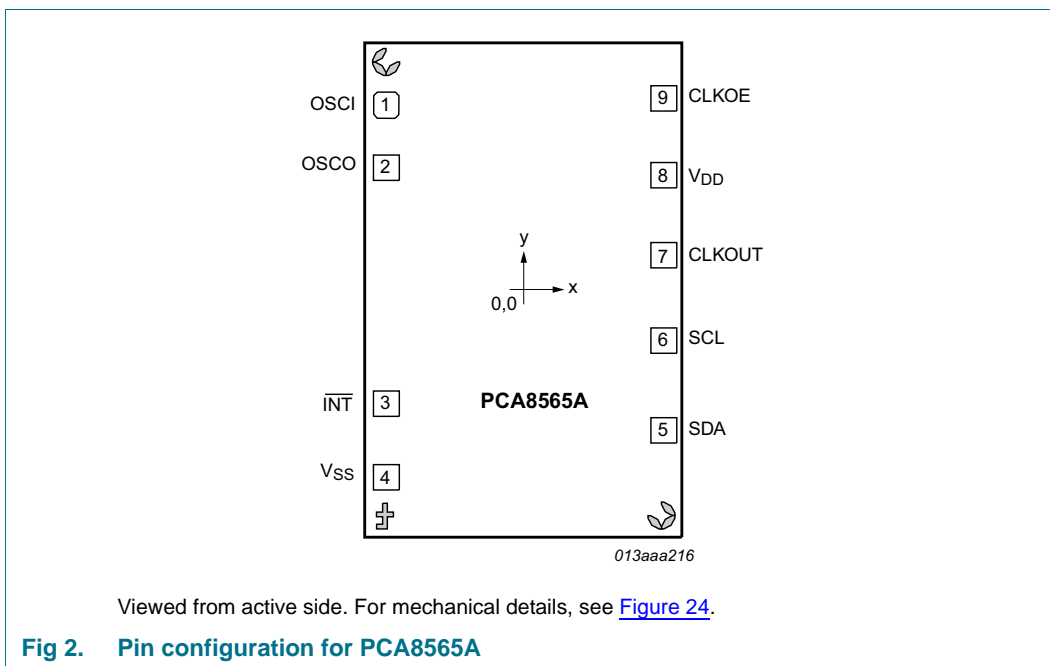


Fig 2. Pin configuration for PCA8565A

### 7.2 Pin description

Table 4. Pin description

Input or input/output pins must always be at a defined level ( $V_{SS}$  or  $V_{DD}$ ) unless otherwise specified.

Symbol	Pin	Description
OSCI	1	oscillator input
OSCO	2	oscillator output
$\overline{\text{INT}}$	3	interrupt output (open-drain; active LOW)
$V_{SS}$	4	ground supply voltage <sup>[1]</sup>
SDA	5	serial data input and output
SCL	6	serial clock input
CLKOUT	7	clock output (open-drain)
$V_{DD}$	8	supply voltage
CLKOE	9	CLKOUT output enable input

[1] The substrate (rear side of the die) is wired to  $V_{SS}$  but should not be electrically contacted.

## 8. Functional description

---

The PCA8565A contains 16 8-bit registers with an auto-incrementing address register, an on-chip 32.768 kHz oscillator with two integrated capacitors, a frequency divider which provides the source clock for the RTC, a programmable clock output, a timer, an alarm, a voltage low detector, and a 400 kHz I<sup>2</sup>C-bus interface.

All 16 registers (see [Table 5](#)) are designed as addressable 8-bit parallel registers although not all bits are implemented. The first two registers (memory address 00h and 01h) are used as control and/or status registers. The memory addresses 02h through 08h are used as counters for the clock function (seconds up to years counters). Address locations 09h through 0Ch contain alarm registers which define the conditions for an alarm. Address 0Dh controls the CLKOUT output frequency. 0Eh and 0Fh are the timer control and timer registers, respectively.

The seconds, minutes, hours, days, weekdays, months, years, as well as the minute alarm, hour alarm, day alarm, and weekday alarm registers are all in Binary Coded Decimal (BCD) format.

When one of the RTC registers is written or read, the contents of all time counters are frozen. Therefore, faulty writing or reading of the clock and calendar during a carry condition is prevented.

## 8.1 Register organization

**Table 5. Register overview**

Bit positions labelled as - are not implemented. Bit positions labelled as N should always be written with logic 0. After reset, all registers are set according to [Table 8](#).

Address	Register name	Bit							
		7	6	5	4	3	2	1	0
<b>Control registers</b>									
00h	Control_status_1	TEST1	N	STOP	N	TESTC	N	N	N
01h	Control_status_2	N	N	N	TI_TP	AF	TF	AIE	TIE
<b>Time and date registers</b>									
02h	VL_seconds	VL	SECONDS (0 to 59)						
03h	Minutes	-	MINUTES (0 to 59)						
04h	Hours	-	-	HOURS (0 to 23)					
05h	Days	-	-	DAYS (1 to 31)					
06h	Weekdays	-	-	-	-	-	WEEKDAYS (0 to 6)		
07h	Century_months	C	-	-	MONTH (1 to 12)				
08h	Years	YEARS (0 to 99)							
<b>Alarm registers</b>									
09h	Minute_alarm	AE_M	MINUTE_ALARM (0 to 59)						
0Ah	Hour_alarm	AE_H	-	HOUR_ALARM (0 to 23)					
0Bh	Day_alarm	AE_D	-	DAY_ALARM (1 to 31)					
0Ch	Weekday_alarm	AE_W	-	-	-	-	WEEKDAY_ALARM (0 to 6)		
<b>CLKOUT control register</b>									
0Dh	CLKOUT_control	-	-	-	-	-	-	-	FD
<b>Timer registers</b>									
0Eh	Timer_control	TE	-	-	-	-	-	-	TD
0Fh	Timer	TIMER							

## 8.2 Control registers

### 8.2.1 Register Control\_status\_1

Table 6. Control\_status\_1 - control and status register 1 (address 00h) bit description

Bit	Symbol	Value	Description	Reference
7	TEST1	0 <sup>[1]</sup>	normal mode; must be set logic 0 during normal operations	<a href="#">Section 8.10</a>
		1	EXT_CLK test mode	
6	N	0 <sup>[2]</sup>	default value	-
5	STOP	0 <sup>[1]</sup>	RTC clock runs	<a href="#">Section 8.11</a>
		1	RTC clock is stopped; all RTC divider chain flip-flops are asynchronously set logic 0; the RTC clock is stopped (CLKOUT at 32.768 kHz is still available); I <sup>2</sup> C-bus watchdog doesn't work	
4	N	0 <sup>[2]</sup>	default value	
3	TESTC	0	Power-On Reset (POR) override facility is disabled; set logic 0 for normal operation	<a href="#">Section 8.3.1</a>
		1 <sup>[1]</sup>	Power-On Reset (POR) override is enabled	
2 to 0	N	000 <sup>[2]</sup>	default value	-

[1] Default value.

[2] Bits labeled as N should always be written with logic 0.

### 8.2.2 Register Control\_status\_2

Table 7. Control\_status\_2 - control and status register 2 (address 01h) bit description

Bit	Symbol	Value	Description	Reference
7 to 5	N	000 <sup>[1]</sup>	default value	
4	TI_TP	0 <sup>[2]</sup>	$\overline{\text{INT}}$ active when TF or AF is active (subject to the status of TIE and AIE)	<a href="#">Section 8.9</a> and <a href="#">Section 8.7</a>
		1	$\overline{\text{INT}}$ pulses active according to <a href="#">Table 29</a> (subject to the status of TIE); <b>Remark:</b> if AF and AIE are active then $\overline{\text{INT}}$ will be permanently active	
3	AF	0 <sup>[2]</sup>	read: alarm flag inactive write: alarm flag is cleared	<a href="#">Section 8.9</a>
		1	read: alarm flag active write: alarm flag remains unchanged	
2	TF	0 <sup>[2]</sup>	read: timer flag inactive write: timer flag is cleared	<a href="#">Section 8.9</a>
		1	read: timer flag active write: timer flag remains unchanged	
1	AIE	0 <sup>[2]</sup>	alarm interrupt disabled	<a href="#">Section 8.9</a>
		1	alarm interrupt enabled	
0	TIE	0 <sup>[2]</sup>	timer interrupt disabled	<a href="#">Section 8.9</a>
		1	timer interrupt enabled	

[1] Bits labeled as N should always be written with logic 0.

[2] Default value.

### 8.3 Reset

The PCA8565A includes an internal reset circuit which is active whenever the oscillator is stopped. In the reset state the I<sup>2</sup>C-bus logic is initialized including the address pointer and all registers are set according to [Table 8](#). I<sup>2</sup>C-bus communication is not possible during reset.

**Table 8. Register reset values<sup>[1]</sup>**

Address	Register name	Bit							
		7	6	5	4	3	2	1	0
00h	Control_status_1	0	0	0	0	1	0	0	0
01h	Control_status_2	0	0	0	0	0	0	0	0
02h	VL_seconds	1	x	x	x	x	x	x	x
03h	Minutes	x	x	x	x	x	x	x	x
04h	Hours	x	x	x	x	x	x	x	x
05h	Days	x	x	x	x	x	x	x	x
06h	Weekdays	x	x	x	x	x	x	x	x
07h	Century_months	x	x	x	x	x	x	x	x
08h	Years	x	x	x	x	x	x	x	x
09h	Minute_alarm	1	x	x	x	x	x	x	x
0Ah	Hour_alarm	1	x	x	x	x	x	x	x
0Bh	Day_alarm	1	x	x	x	x	x	x	x
0Ch	Weekday_alarm	1	x	x	x	x	x	x	x
0Dh	CLKOUT_control	x	x	x	x	x	x	0	0
0Eh	Timer_control	0	x	x	x	x	x	1	1
0Fh	Timer	x	x	x	x	x	x	x	x

[1] Registers marked 'x' are undefined at power-up and unchanged by subsequent resets.

#### 8.3.1 Power-On Reset (POR) override

The POR duration is directly related to the crystal oscillator start-up time. Due to the long start-up times experienced by these types of circuits, a mechanism has been built in to disable the POR and hence speed up on-board test of the device. The setting of this mode requires that the I<sup>2</sup>C-bus pins, SDA and SCL, be toggled in a specific order as shown in [Figure 3](#). All timings are required minimums.

Once the override mode has been entered, the device immediately stops, being reset, and normal operation may commence, i.e., entry into the EXT\_CLK test mode via I<sup>2</sup>C-bus access. The override mode may be cleared by writing logic 0 to TESTC. TESTC must be set logic 1 before re-entry into the override mode is possible. Setting TESTC logic 0 during normal operation has no effect, except to prevent entry into the POR override mode.



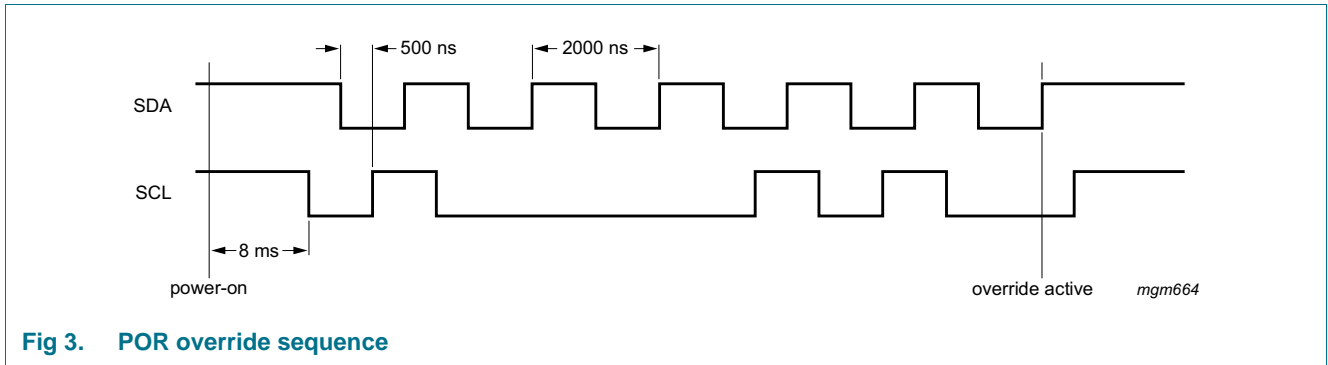


Fig 3. POR override sequence

### 8.4 Time and date registers

The majority of the registers are coded in the BCD format to simplify application use.

#### 8.4.1 Register VL\_seconds

Table 9. VL\_seconds - seconds and clock integrity status register (address 02h) bit description

Bit	Symbol	Value	Place value	Description
7	VL	0	-	clock integrity is guaranteed
		1 <sup>[1]</sup>	-	integrity of the clock information is not guaranteed
6 to 4	SECONDS	0 to 5	ten's place	actual seconds coded in BCD format, see <a href="#">Table 10</a>
3 to 0		0 to 9	unit place	

[1] Start-up value.

Table 10. Seconds coded in BCD format

Seconds value in decimal	Upper-digit (ten's place)			Digit (unit place)			
	Bit 6	Bit 5	Bit 4	Bit 3	Bit 2	Bit 1	Bit 0
00	0	0	0	0	0	0	0
01	0	0	0	0	0	0	1
02	0	0	0	0	0	1	0
:	:	:	:	:	:	:	:
09	0	0	0	1	0	0	1
10	0	0	1	0	0	0	0
:	:	:	:	:	:	:	:
58	1	0	1	1	0	0	0
59	1	0	1	1	0	0	1

##### 8.4.1.1 Voltage-low detector and clock monitor

The PCA8565A has an on-chip voltage-low detector (see [Figure 4](#)). When  $V_{DD}$  drops below  $V_{low}$ , bit VL in the VL\_seconds register is set to indicate that the integrity of the clock information is no longer guaranteed. The VL flag can only be cleared by command.

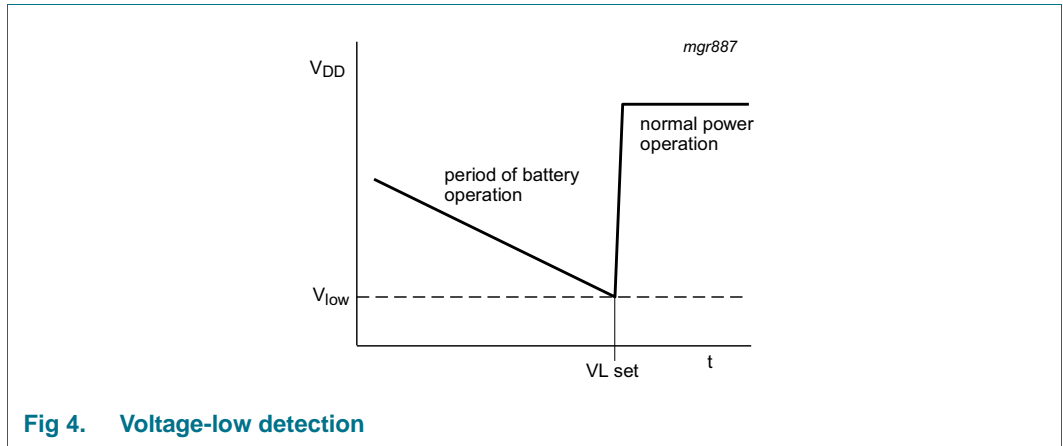


Fig 4. Voltage-low detection

The VL flag is intended to detect the situation when  $V_{DD}$  is decreasing slowly, for example under battery operation. Should the oscillator stop or  $V_{DD}$  reach  $V_{low}$  before power is re-asserted, then the VL flag is set. This will indicate that the time may be corrupted.

### 8.4.2 Register Minutes

Table 11. Minutes - minutes register (address 03h) bit description

Bit	Symbol	Value	Place value	Description
7	-	-	-	unused
6 to 4	MINUTES	0 to 5	ten's place	actual minutes coded in BCD format
3 to 0		0 to 9	unit place	

### 8.4.3 Register Hours

Table 12. Hours - hours register (address 04h) bit description

Bit	Symbol	Value	Place value	Description
7 to 6	-	-	-	unused
5 to 4	HOURS	0 to 2	ten's place	actual hours coded in BCD format
3 to 0		0 to 9	unit place	

### 8.4.4 Register Days

Table 13. Days - days register (address 05h) bit description

Bit	Symbol	Value	Place value	Description
7 to 6	-	-	-	unused
5 to 4	DAYS <sup>[1]</sup>	0 to 3	ten's place	actual day coded in BCD format
3 to 0		0 to 9	unit place	

[1] The PCA8565A compensates for leap years by adding a 29th day to February if the year counter contains a value which is exactly divisible by 4, including the year 00.

### 8.4.5 Register Weekdays

Table 14. Weekdays - weekdays register (address 06h) bit description

Bit	Symbol	Value	Description
7 to 3	-	-	unused
2 to 0	WEEKDAYS	0 to 6	actual weekday values, see <a href="#">Table 15</a> .

Table 15. Weekday assignments

Day <sup>[1]</sup>	Bit		
	2	1	0
Sunday	0	0	0
Monday	0	0	1
Tuesday	0	1	0
Wednesday	0	1	1
Thursday	1	0	0
Friday	1	0	1
Saturday	1	1	0

[1] Definition may be re-assigned by the user.

### 8.4.6 Register Century\_months

Table 16. Century\_months - century flag and months register (address 07h) bit description

Bit	Symbol	Value	Place value	Description
7	C <sup>[1]</sup>	0 <sup>[2]</sup>	-	indicates the century is x
		1	-	indicates the century is x + 1
6 to 5	-	-	-	unused
4	MONTHS	0 to 1	ten's place	actual month coded in BCD format, see <a href="#">Table 17</a>
3 to 0		0 to 9	unit place	

[1] This bit may be re-assigned by the user.

[2] This bit is toggled when the register Years overflows from 99 to 00.

**Table 17. Month assignments in BCD format**

Month	Upper-digit (ten's place)	Digit (unit place)			
	Bit 4	Bit 3	Bit 2	Bit 1	Bit 0
January	0	0	0	0	1
February	0	0	0	1	0
March	0	0	0	1	1
April	0	0	1	0	0
May	0	0	1	0	1
June	0	0	1	1	0
July	0	0	1	1	1
August	0	1	0	0	0
September	0	1	0	0	1
October	1	0	0	0	0
November	1	0	0	0	1
December	1	0	0	1	0

### 8.4.7 Register Years

**Table 18. Years - years register (08h) bit description**

Bit	Symbol	Value	Place value	Description
7 to 4	YEARS	0 to 9	ten's place	actual year coded in BCD format
3 to 0		0 to 9	unit place	

### 8.5 Setting and reading the time

Figure 5 shows the data flow and data dependencies starting from the 1 Hz clock tick.

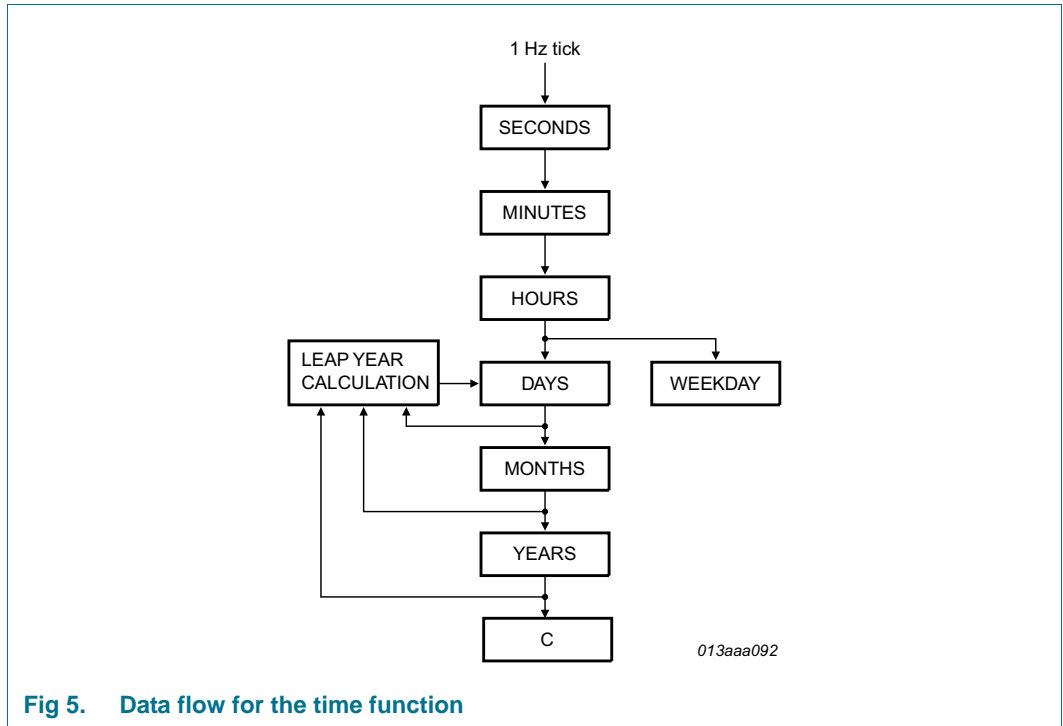


Fig 5. Data flow for the time function

During read/write operations, the time counting circuits (memory locations 02h through 08h) are blocked.

This prevents

- Faulty reading of the clock and calendar during a carry condition
- Incrementing the time registers, during the read cycle

After this read/write access is completed, the time circuit is released again and any pending request to increment the time counters that occurred during the read access is serviced. A maximum of 1 request can be stored; therefore, all accesses must be completed within 1 second (see Figure 6).

As a consequence of this method, it is very important to make a read or write access in one go, that is, setting or reading seconds through to years should be made in one single access. Failing to comply with this method could result in the time becoming corrupted.

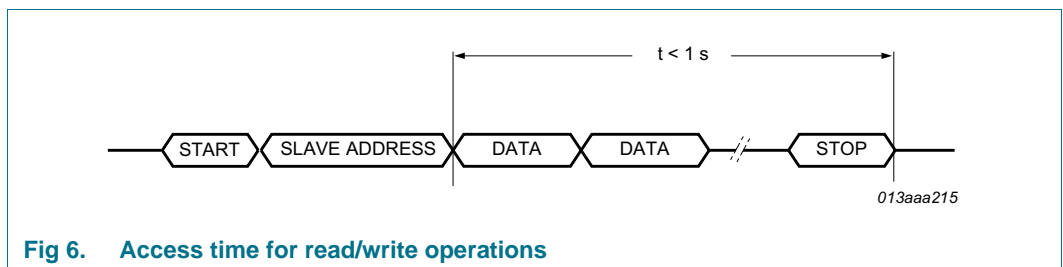


Fig 6. Access time for read/write operations

As an example, if the time (seconds through to hours) is set in one access and then in a second access the date is set, it is possible that the time may increment between the two accesses. A similar problem exists when reading. A roll over may occur between reads thus giving the minutes from one moment and the hours from the next.

Recommended method for reading the time:

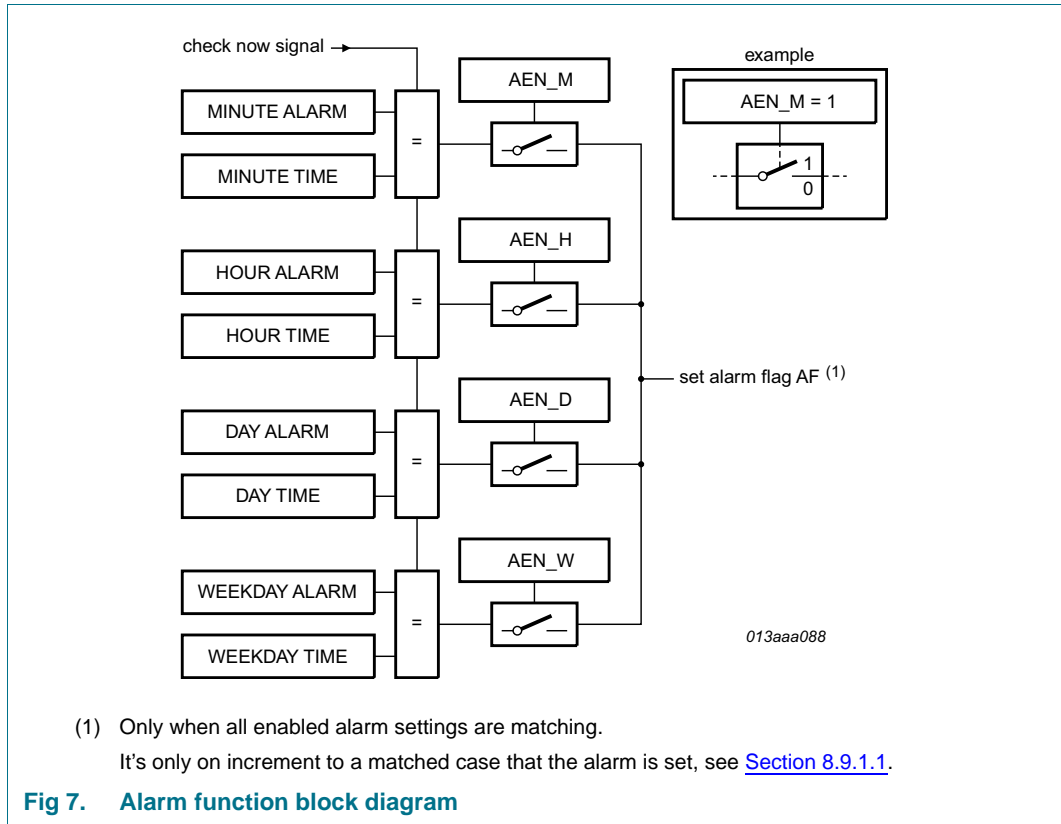
1. Send a START condition and the slave address for write (A2h).
2. Set the address pointer to 2 (VL\_seconds) by sending 02h.
3. Send a RESTART condition or STOP followed by START.
4. Send the slave address for read (A3h).
5. Read VL\_seconds.
6. Read Minutes.
7. Read Hours.
8. Read Days.
9. Read Weekdays.
10. Read Century\_months.
11. Read Years.
12. Send a STOP condition.

## 8.6 Alarm registers

When one or more of the alarm registers are loaded with a valid minute, hour, day or weekday and its corresponding bit alarm enable (AE\_x) is logic 0, then that information is compared with the actual minute, hour, day and weekday.

When all enabled comparisons first match, the Alarm Flag (AF) is set. AF will remain set until cleared by command. **Once AF has been cleared it is only set again when the time increments to match the alarm condition once more.** (For clearing the AF, see [Section 8.9.1.1 on page 19.](#))

Alarm registers which have their bit AE\_x at logic 1 are ignored.



### 8.6.1 Register Minute\_alarm

**Table 19. Minute\_alarm - minute alarm register (address 09h) bit description**

Bit	Symbol	Value	Place value	Description
7	AE_M	0	-	minute alarm is enabled
		1 <sup>[1]</sup>	-	minute alarm is disabled
6 to 4	MINUTE_ALARM	0 to 5	ten's place	minute alarm information coded in BCD format
3 to 0		0 to 9	unit place	

[1] Default value.

### 8.6.2 Register Hour\_alarm

**Table 20. Hour\_alarm - hour alarm register (address 0Ah) bit description**

Bit	Symbol	Value	Place value	Description
7	AE_H	0	-	hour alarm is enabled
		1 <sup>[1]</sup>	-	hour alarm is disabled
6	-	-	-	unused
5 to 4	HOUR_ALARM	0 to 2	ten's place	hour alarm information coded in BCD format
3 to 0		0 to 9	unit place	

[1] Default value.

### 8.6.3 Register Day\_alarm

Table 21. Day\_alarm - day alarm register (address 0Bh) bit description

Bit	Symbol	Value	Place value	Description
7	AE_D	0	-	day alarm is enabled
		1 <sup>[1]</sup>	-	day alarm is disabled
6	-	-	-	unused
5 to 4	DAY_ALARM	0 to 3	ten's place	day alarm information coded in BCD format
3 to 0		0 to 9	unit place	

[1] Default value.

### 8.6.4 Register Weekday\_alarm

Table 22. Weekday\_alarm - weekday alarm register (address 0Ch) bit description

Bit	Symbol	Value	Description
7	AE_W	0	weekday alarm is enabled
		1 <sup>[1]</sup>	weekday alarm is disabled
6 to 3	-	-	unused
2 to 0	WEEKDAY_ALARM	0 to 6	weekday alarm information coded in BCD format

[1] Default value.

## 8.7 Timer function

The 8-bit countdown timer at address 0Fh is controlled by the timer control register at address 0Eh. The timer control register determines one of 4 source clock frequencies for the timer (4.096 kHz, 64 Hz, 1 Hz, or  $\frac{1}{60}$  Hz) and enables or disables the timer. The timer counts down from a software-loaded 8-bit binary value. At the end of every countdown, the timer sets the Timer Flag (TF) in the register Control\_status\_2. The TF may only be cleared by command. The asserted TF can be used to generate an interrupt (on pin INT). The interrupt may be generated as a pulsed signal every countdown period or as a permanently active signal which follows the state of TF. Bit TI\_TP is used to control this mode selection. When reading the timer, the current countdown value is returned.

### 8.7.1 Register Timer\_control

The timer register is an 8-bit binary countdown timer. It is enabled and disabled via the bit TE in register Timer\_control. The source clock for the timer is also selected by the TD[1:0] in register Timer\_control. Other timer properties such as interrupt generation are controlled via register Control\_2.



**Table 23. Timer\_control - timer control register (address 0Eh) bit description**

Bit	Symbol	Value	Description
7	TE	0 <sup>[1]</sup>	timer is disabled
		1	timer is enabled
6 to 2	-	-	unused
1 to 0	TD[1:0]		timer source clock frequency select <sup>[2]</sup>
		00	4.096 kHz
		01	64 Hz
		10	1 Hz
		11 <sup>[2]</sup>	1/60 Hz

[1] Default value.

[2] These bits determine the source clock for the countdown timer; when not in use, TD[1:0] should be set to 1/60 Hz for power saving.

## 8.7.2 Register Timer

**Table 24. Timer - timer register (address 0Fh) bit description**

Bit	Symbol	Value	Description
7 to 0	TIMER[7:0]	00h to FFh	countdown period in seconds: $CountdownPeriod = \frac{n}{SourceClockFrequency}$ where n is the countdown value

**Table 25. Timer register bits value range**

Bit							
7	6	5	4	3	2	1	0
128	64	32	16	8	4	2	1

The timer register is an 8-bit binary countdown timer. It is enabled or disabled via the Timer\_control register. The source clock for the timer is also selected by the Timer\_control register. Other timer properties such as single or periodic interrupt generation are controlled via the register Control\_status\_2 (address 01h).

For accurate read back of the count down value, it is recommended to read the register twice and check for consistent results, since it is not possible to freeze the countdown timer counter during read back.

## 8.8 Register CLKOUT\_control and clock output

A programmable square wave is available at the CLKOUT pin. Frequencies of 32.768 kHz, 1.024 kHz, 32 Hz and 1 Hz can be generated for use as a system clock, microcontroller clock, input to a charge pump, or for calibration of the oscillator. CLKOUT is an open-drain output, and if disabled it becomes high-impedance.

Table 26. CLKOUT\_control - CLKOUT control register (address 0Dh) bit description

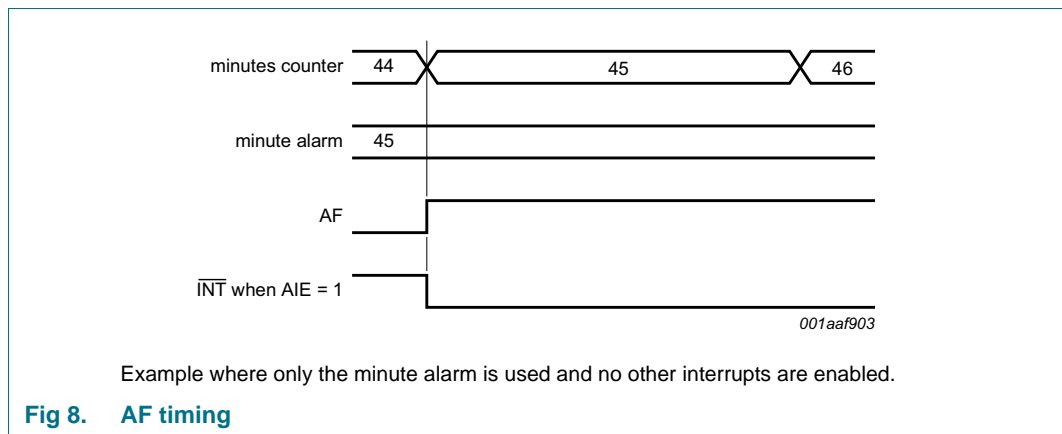
Bit	Symbol	Value	Description
7 to 2	-	-	unused
1 to 0	FD[1:0]		frequency output at pin CLKOUT
		00 <sup>[1]</sup>	32.768 kHz
		01	1.024 kHz
		10	32 Hz
		11	1 Hz

[1] Default value.

## 8.9 Interrupt output

### 8.9.1 Bits TF and AF

When an alarm occurs, AF is set to 1. Similarly, at the end of a timer countdown, TF is set to 1. These bits maintain their value until overwritten by command. If both timer and alarm interrupts are required in the application, the source of the interrupt is determined by reading these bits.



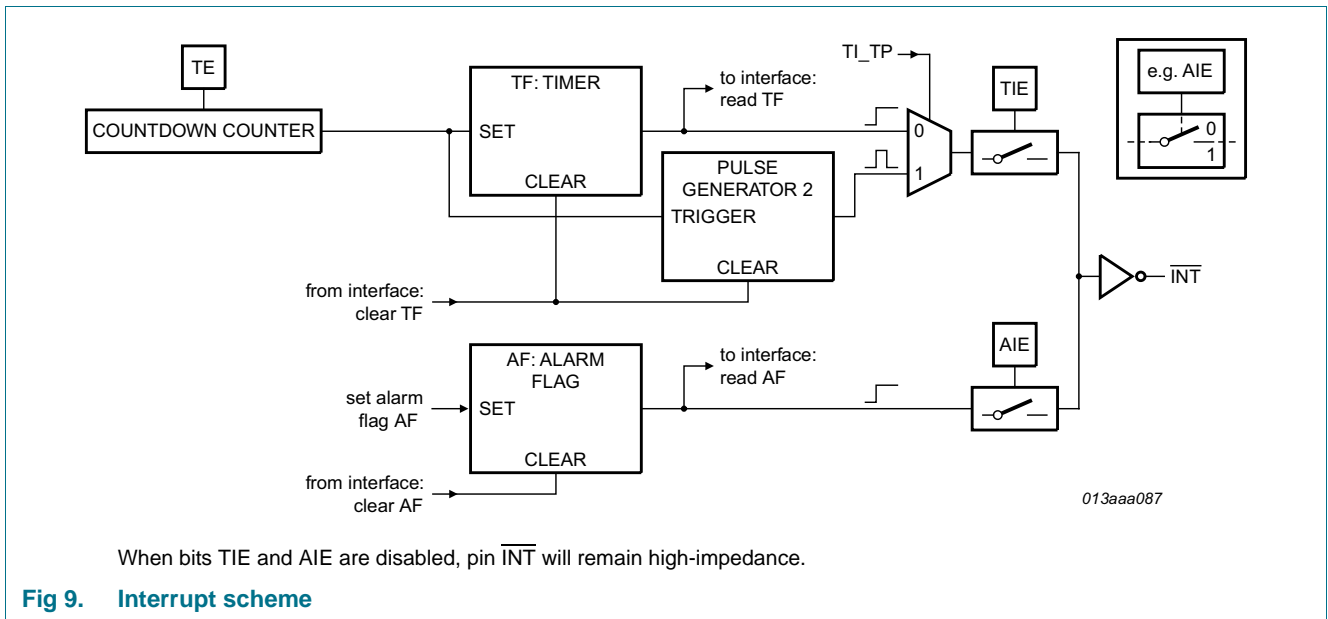


Fig 9. Interrupt scheme

8.9.1.1 Clearing the alarm flag (AF)

Table 28 shows an example for clearing bit AF but leaving bit TF unaffected. Clearing the flags is made by a write command; therefore bits 7, 6, 4, 1 and 0 must be written with their previous values. Repeatedly re-writing these bits has no influence on the functional behavior.

To prevent the timer flags being overwritten while clearing AF, a logical AND is performed during a write access. Writing a logic 1 will cause the flag to maintain its value, whereas writing a logic 0 will cause the flag to be reset.

Table 27. Flag location in register Control\_2

Register	Bit							
	7	6	5	4	3	2	1	0
Control_2	-	-	-	-	AF	TF	-	-

The following table shows what instruction must be sent to clear bit AF. In this example bit TF is unaffected.

Table 28. Example to clear only AF (bit 3) in register Control\_2

Register	Bit							
	7	6	5	4	3	2	1	0
Control_2	-	-	-	-	0	1	-	-

8.9.2 Bits TIE and AIE

These bits activate or deactivate the generation of an interrupt when TF or AF is asserted, respectively. The interrupt is the logical OR of these two conditions when both AIE and TIE are set.

### 8.9.3 Countdown timer interrupts

The pulse generator for the countdown timer interrupt uses an internal clock and is dependent on the selected source clock for the countdown timer and on the countdown value  $n$ . As a consequence, the width of the interrupt pulse varies (see [Table 29](#)).

**Table 29.**  $\overline{\text{INT}}$  operation (bit  $\text{TI\_TP} = 1$ )<sup>[1]</sup>

Source clock (Hz)	$\overline{\text{INT}}$ period (s)	
	$n = 1$ <sup>[2]</sup>	$n > 1$ <sup>[2]</sup>
4096	$\frac{1}{8192}$	$\frac{1}{4096}$
64	$\frac{1}{128}$	$\frac{1}{64}$
1	$\frac{1}{64}$	$\frac{1}{64}$
$\frac{1}{60}$	$\frac{1}{64}$	$\frac{1}{64}$

[1]  $\text{TF}$  and  $\overline{\text{INT}}$  become active simultaneously.

[2]  $n$  = loaded countdown value. Timer stops when  $n = 0$ .

### 8.10 External clock (EXT\_CLK) test mode

A test mode is available which allows for on-board testing. In such a mode it is possible to set up test conditions and control the operation of the RTC.

The test mode is entered by setting bit  $\text{TEST1}$  in register  $\text{Control\_status\_1}$ . Then pin  $\text{CLKOUT}$  becomes an input. The test mode replaces the internal 64 Hz signal with the signal applied to pin  $\text{CLKOUT}$ . Every 64 positive edges applied to pin  $\text{CLKOUT}$  will then generate an increment of one second.

The signal applied to pin  $\text{CLKOUT}$  should have a minimum pulse width of 300 ns and a maximum period of 1000 ns. The internal 64 Hz clock, now sourced from  $\text{CLKOUT}$ , is divided down to 1 Hz by a  $2^6$  divide chain called a prescaler. The prescaler can be set into a known state by using the bit  $\text{STOP}$ . When the  $\text{STOP}$  bit is set, the prescaler is reset to logic 0 ( $\text{STOP}$  must be cleared before the prescaler can operate again).

From a  $\text{STOP}$  condition, the first 1 second increment will take place after 32 positive edges on pin  $\text{CLKOUT}$ . Thereafter, every 64 positive edges will cause a one-second increment.

**Remark:** Entry into  $\text{EXT\_CLK}$  test mode is not synchronized to the internal 64 Hz clock. When entering the test mode, no assumption as to the state of the prescaler can be made.

Operation example:

1. Set  $\text{EXT\_CLK}$  test mode ( $\text{Control\_status\_1}$ , bit  $\text{TEST1} = 1$ ).
2. Set bit  $\text{STOP}$  ( $\text{Control\_status\_1}$ , bit  $\text{STOP} = 1$ ).
3. Clear bit  $\text{STOP}$  ( $\text{Control\_status\_1}$ , bit  $\text{STOP} = 0$ ).
4. Set time registers to desired value.
5. Apply 32 clock pulses to pin  $\text{CLKOUT}$ .
6. Read time registers to see the first change.
7. Apply 64 clock pulses to pin  $\text{CLKOUT}$ .
8. Read time registers to see the second change.

Repeat steps 7 and 8 for additional increments.

8.11 STOP bit function

The function of the STOP bit is to allow for accurate starting of the time circuits. The STOP bit function will cause the upper part of the prescaler (F<sub>2</sub> to F<sub>14</sub>) to be held in reset and thus no 1 Hz ticks will be generated (see Figure 10). The time circuits can then be set and will not increment until the STOP bit is released (see Figure 11 and Table 30).

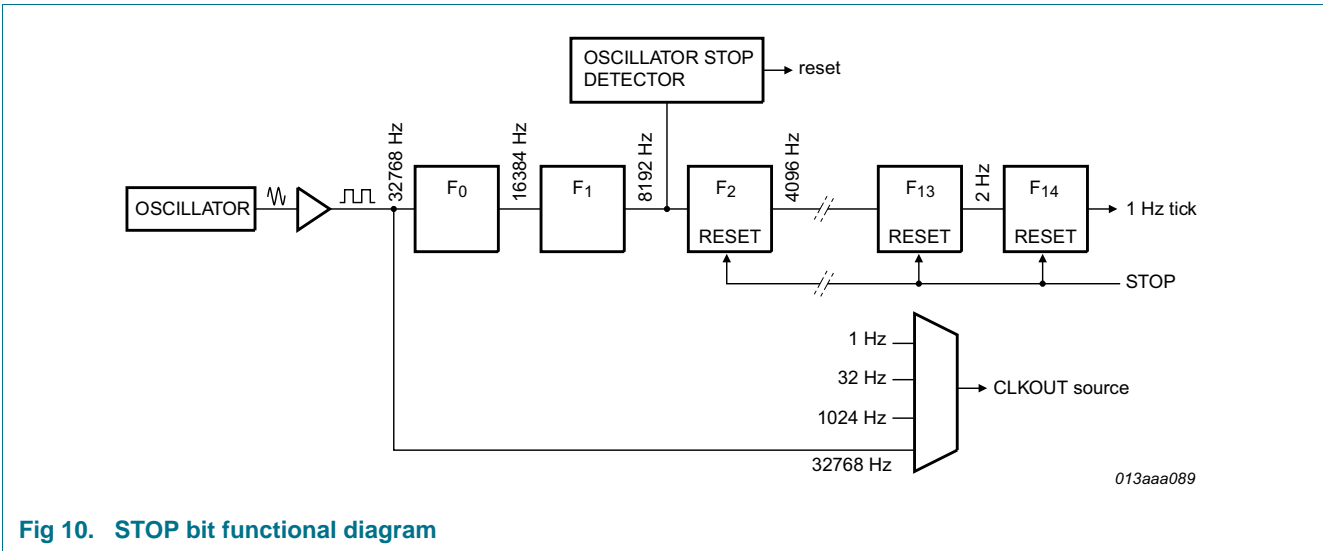


Fig 10. STOP bit functional diagram

The STOP bit function will not affect the output of 32.768 kHz on CLKOUT, but will stop the generation of 1.024 kHz, 32 Hz, and 1 Hz.

The lower two stages of the prescaler (F<sub>0</sub> and F<sub>1</sub>) are not reset; and because the I<sup>2</sup>C-bus is asynchronous to the crystal oscillator, the accuracy of re-starting the time circuits will be between zero and one 8.192 kHz cycle (see Figure 11).

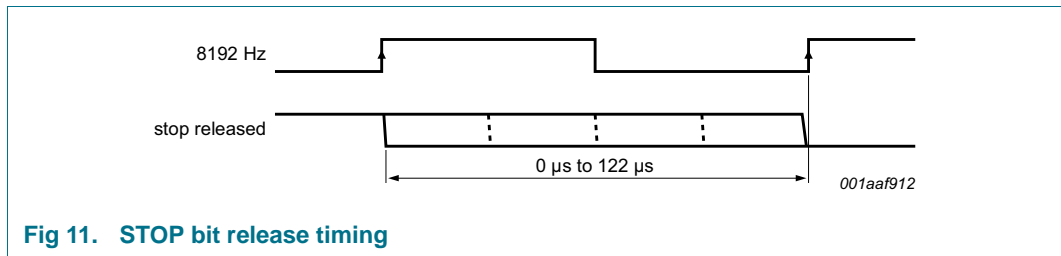


Fig 11. STOP bit release timing

Table 30. First increment of time circuits after STOP bit release

Bit	Prescaler bits	[1] 1 Hz tick	Time	Comment
STOP	F <sub>0</sub> F <sub>1</sub> -F <sub>2</sub> to F <sub>14</sub>		hh:mm:ss	
<b>Clock is running normally</b>				
0	01-0 0001 1101 0100		12:45:12	prescaler counting normally
<b>STOP bit is activated by user. F<sub>0</sub>F<sub>1</sub> are not reset and values cannot be predicted externally</b>				
1	XX-0 0000 0000 0000		12:45:12	prescaler is reset; time circuits are frozen
<b>New time is set by user</b>				
1	XX-0 0000 0000 0000		08:00:00	prescaler is reset; time circuits are frozen
<b>STOP bit is released by user</b>				
0	XX-0 0000 0000 0000		08:00:00	prescaler is now running
	XX-1 0000 0000 0000		08:00:00	-
	XX-0 1000 0000 0000		08:00:00	-
	XX-1 1000 0000 0000		08:00:00	-
	:		:	:
	11-1 1111 1111 1110		08:00:00	-
	00-0 0000 0000 0001		08:00:01	0 to 1 transition of F <sub>14</sub> increments the time circuits
	10-0 0000 0000 0001		08:00:01	-
	:		:	:
	11-1 1111 1111 1111		08:00:01	-
	00-0 0000 0000 0000		08:00:01	-
	10-0 0000 0000 0000		08:00:01	-
	:		:	:
	11-1 1111 1111 1110		08:00:01	-
	00-0 0000 0000 0001		08:00:02	0 to 1 transition of F <sub>14</sub> increments the time circuits

[1] F<sub>0</sub> is clocked at 32.768 kHz.

The first increment of the time circuits is between 0.507813 s and 0.507935 s after STOP bit is released. The uncertainty is caused by the prescaler bits F<sub>0</sub> and F<sub>1</sub> not being reset (see [Table 30](#)) and the unknown state of the 32 kHz clock.

## 9. Characteristics of the I<sup>2</sup>C-bus

The I<sup>2</sup>C-bus is for bidirectional, two-line communication between different ICs or modules. The two lines are a Serial Data Line (SDA) and a Serial CLock line (SCL). Both lines must be connected to a positive supply via a pull-up resistor. Data transfer may be initiated only when the bus is not busy.

### 9.1 Bit transfer

One data bit is transferred during each clock pulse. The data on the SDA line must remain stable during the HIGH period of the clock pulse, as changes in the data line at this time will be interpreted as a control signal (see [Figure 12](#)).

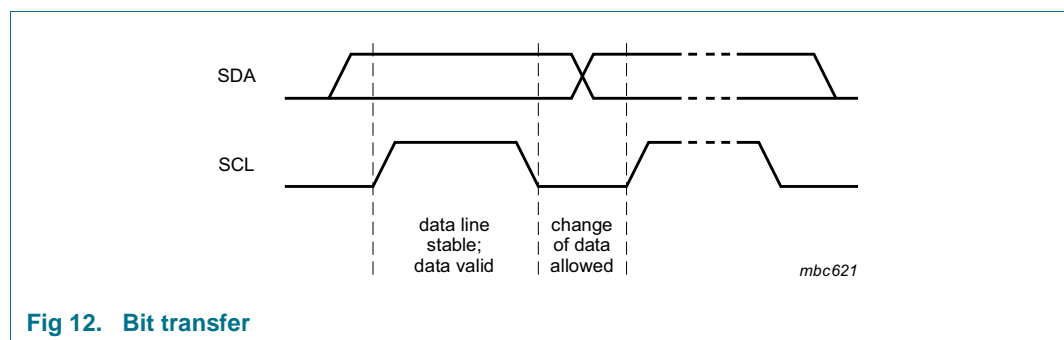


Fig 12. Bit transfer

### 9.2 START and STOP conditions

Both data and clock lines remain HIGH when the bus is not busy. A HIGH-to-LOW transition of the data line, while the clock is HIGH, is defined as the START condition (S). A LOW-to-HIGH transition of the data line, while the clock is HIGH, is defined as the STOP condition (P); see [Figure 13](#).

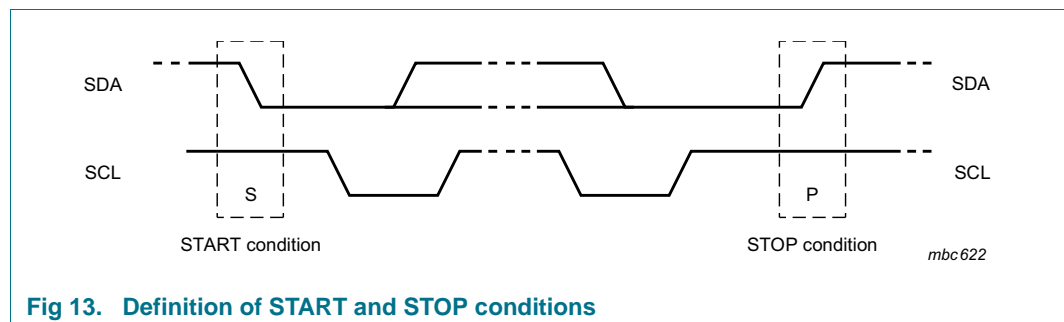


Fig 13. Definition of START and STOP conditions

### 9.3 System configuration

A device generating a message is a transmitter; a device receiving a message is a receiver. The device that controls the message is the master; and the devices which are controlled by the master are the slaves (see [Figure 14](#)).

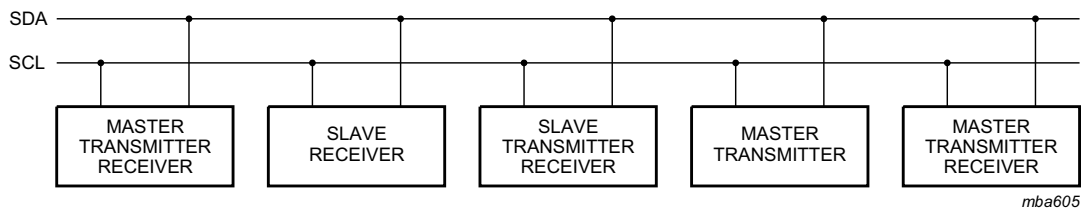


Fig 14. System configuration

### 9.4 Acknowledge

The number of data bytes transferred between the START and STOP conditions from transmitter to receiver is unlimited. Each byte of eight bits is followed by an acknowledge cycle.

- A slave receiver, which is addressed, must generate an acknowledge after the reception of each byte.
- Also a master receiver must generate an acknowledge after the reception of each byte that has been clocked out of the slave transmitter.
- The device that acknowledges must pull-down the SDA line during the acknowledge clock pulse, so that the SDA line is stable LOW during the HIGH period of the acknowledge related clock pulse (set-up and hold times must be taken into consideration).
- A master receiver must signal an end of data to the transmitter by not generating an acknowledge on the last byte that has been clocked out of the slave. In this event the transmitter must leave the data line HIGH to enable the master to generate a STOP condition.

Acknowledgement on the I<sup>2</sup>C-bus is shown in [Figure 15](#).

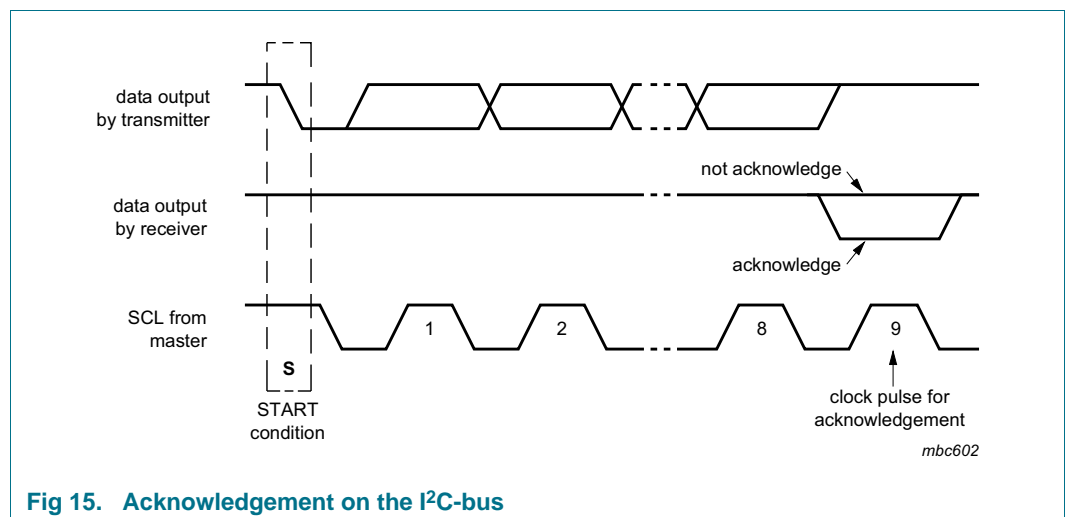


Fig 15. Acknowledgement on the I<sup>2</sup>C-bus



## 9.5 I<sup>2</sup>C-bus protocol

### 9.5.1 Addressing

Before any data is transmitted on the I<sup>2</sup>C-bus, the device which should respond is addressed first. The addressing is always carried out with the first byte transmitted after the start procedure.

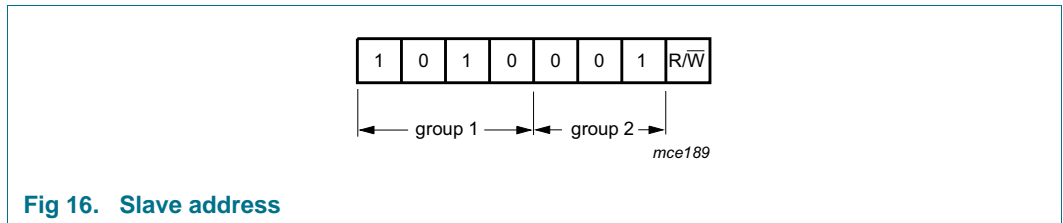
The PCA8565A acts as a slave receiver or slave transmitter. Therefore, the clock signal SCL is only an input signal, but the data signal SDA is a bidirectional line.

Two slave addresses are reserved for the PCA8565A:

Read: A3h (10100011)

Write: A2h (10100010)

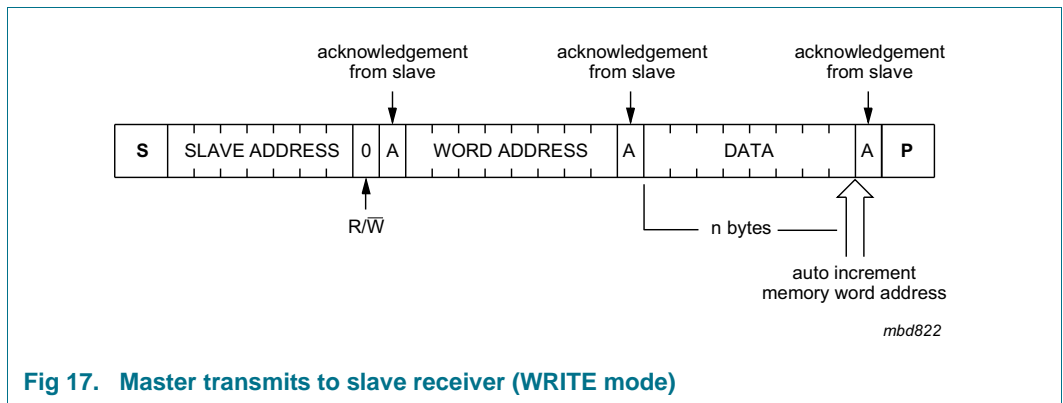
The PCA8565A slave address is shown in [Figure 16](#).



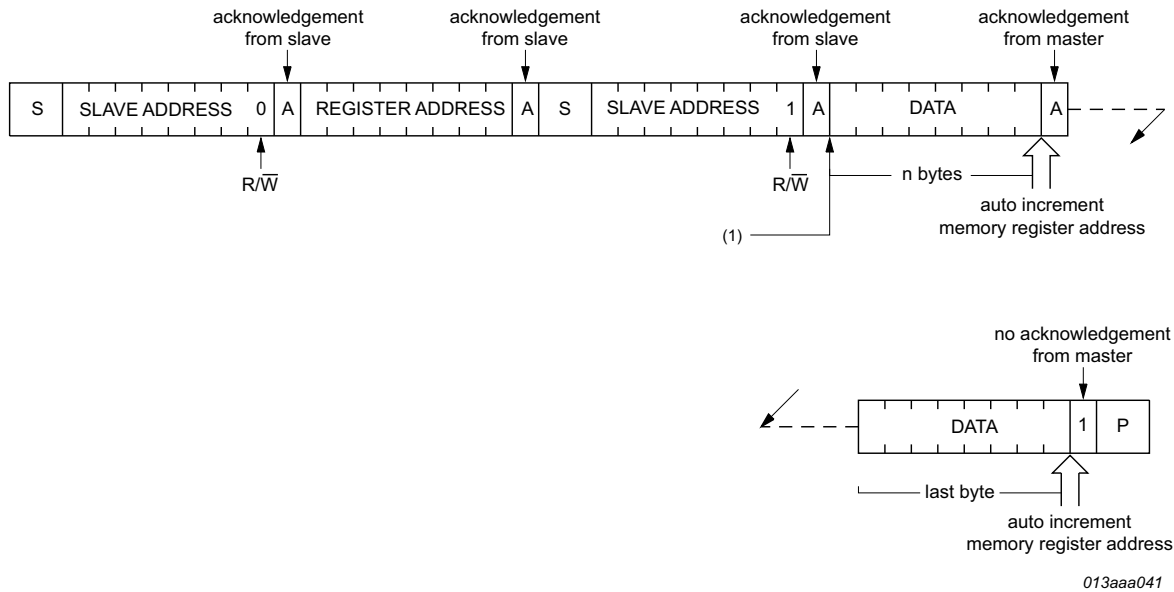
**Fig 16. Slave address**

### 9.5.2 Clock and calendar READ or WRITE cycles

The I<sup>2</sup>C-bus configuration for the different PCA8565A READ and WRITE cycles is shown in [Figure 17](#), [Figure 18](#), and [Figure 19](#). The word address is a 4-bit value that defines which register is to be accessed next. The upper four bits of the word address are not used.

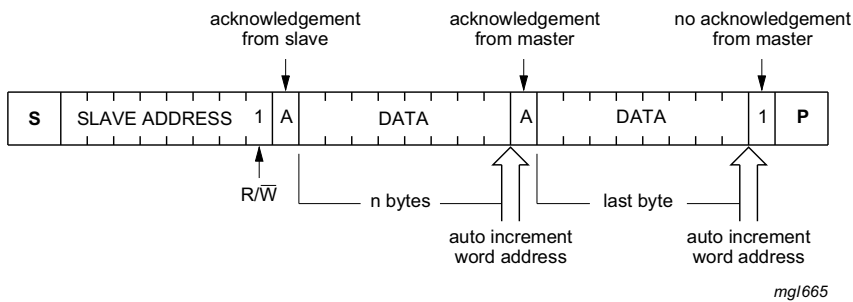


**Fig 17. Master transmits to slave receiver (WRITE mode)**



(1) At this moment master transmitter becomes master receiver and PCA8565A slave receiver becomes slave transmitter.

**Fig 18. Master reads after setting word address (write word address; READ data)**



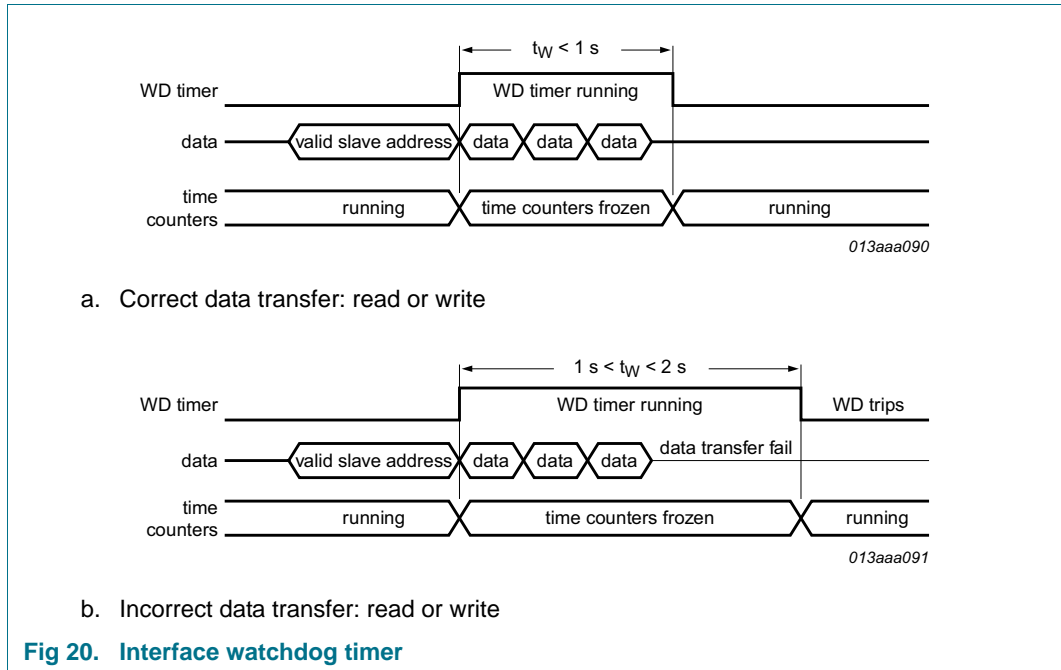
**Fig 19. Master reads slave immediately after first byte (READ mode)**

### 9.5.3 Interface watchdog timer

During read/write operations, the time counting circuits are frozen. To prevent a situation where the accessing device becomes locked and does not clear the interface, the PCA8565A has a built in watchdog timer. Should the interface be active for more than 1 s from the time a valid slave address is transmitted, then the PCA8565A will automatically clear the interface and allow the time counting circuits to continue counting.

The watchdog is implemented to prevent the excessive loss of time due to interface access failure e.g. if main power is removed from a battery backed-up system during an interface access.

Each time the watchdog period is exceeded, 1 s will be lost from the time counters. The watchdog will trigger between 1 s and 2 s after receiving a valid slave address.



## 10. Internal circuitry

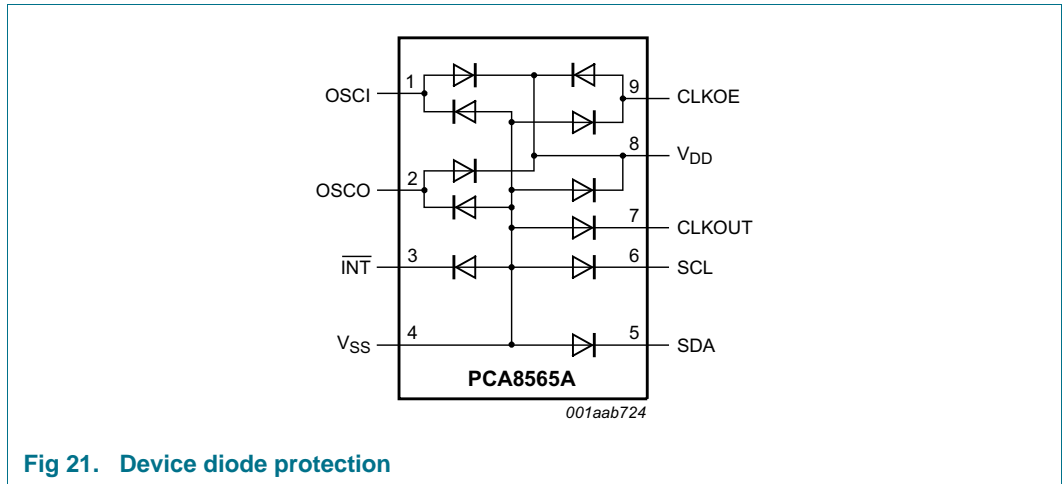


Fig 21. Device diode protection

## 11. Safety notes

### CAUTION



This device is sensitive to ElectroStatic Discharge (ESD). Observe precautions for handling electrostatic sensitive devices.

Such precautions are described in the *ANSI/ESD S20.20*, *IEC/ST 61340-5*, *JESD625-A* or equivalent standards.

### CAUTION



Semiconductors are light sensitive. Exposure to light sources can cause the IC to malfunction. The IC must be protected against light. The protection must be applied to all sides of the IC.

## 12. Limiting values

**Table 31. Limiting values**

In accordance with the Absolute Maximum Rating System (IEC 60134).

Symbol	Parameter	Conditions	Min	Max	Unit	
V <sub>DD</sub>	supply voltage		-0.5	+6.5	V	
I <sub>DD</sub>	supply current		-50	+50	mA	
I <sub>SS</sub>	ground supply current		-50	+50	mA	
V <sub>I</sub>	input voltage		-0.5	+6.5	V	
V <sub>O</sub>	output voltage		-0.5	+6.5	V	
I <sub>I</sub>	input current		-10	+10	mA	
I <sub>O</sub>	output current		-10	+10	mA	
P <sub>tot</sub>	total power dissipation		-	300	mW	
V <sub>ESD</sub>	electrostatic discharge voltage	HBM [1]	-	±3000	V	
		MM [2]	-	±250	V	
I <sub>lu</sub>	latch-up current	all pins but OSCI	[3]	100	mA	
T <sub>stg</sub>	storage temperature		[4]	-65	+150	°C

[1] Pass level; Human Body Model (HBM) according to [Ref. 4 "JESD22-A114"](#).

[2] Pass level; Machine Model (MM), according to [Ref. 5 "JESD22-A115"](#).

[3] Pass level; latch-up testing, according to [Ref. 7 "JESD78"](#) at maximum ambient temperature (T<sub>amb(max)</sub> = +125 °C).

[4] According to the store and transport requirements (see [Ref. 11 "UM10569"](#)) the devices have to be stored at a temperature of +8 °C to +45 °C and a humidity of 25 % to 75 %.

### 13. Static characteristics

**Table 32. Static characteristics**

$V_{DD} = 1.8\text{ V to }5.5\text{ V}$ ;  $V_{SS} = 0\text{ V}$ ;  $T_{amb} = -40\text{ °C to }+125\text{ °C}$ ;  $f_{osc} = 32.768\text{ kHz}$ ; quartz  $R_s = 40\text{ k}\Omega$ ;  $C_L = 8\text{ pF}$ ; unless otherwise specified.

Symbol	Parameter	Conditions	Min	Typ	Max	Unit	
<b>Supplies</b>							
$V_{DD}$	supply voltage	I <sup>2</sup> C-bus active; $f_{SCL} = 400\text{ kHz}$	1.8	-	5.5	V	
		for clock data integrity	$V_{low}$	-	5.5	V	
$I_{DD}$	supply current	interface active; $T_{amb} = -40\text{ °C to }+125\text{ °C}$					
		$f_{SCL} = 400\text{ kHz}$	-	100	250	$\mu\text{A}$	
		$f_{SCL} = 100\text{ kHz}$	-	25	100	$\mu\text{A}$	
		interface inactive ( $f_{SCL} = 0\text{ Hz}$ ); <a href="#">[1][2]</a> CLKOUT = $V_{DD}$					
		$T_{amb} = 125\text{ °C}$					
		$V_{DD} = 5.0\text{ V}$	-	1100	1800	nA	
		$V_{DD} = 3.0\text{ V}$	-	1000	1600	nA	
		$V_{DD} = 2.0\text{ V}$	-	950	1500	nA	
		$T_{amb} = 105\text{ °C}$					
		$V_{DD} = 5.0\text{ V}$	-	850	1500	nA	
		$V_{DD} = 3.0\text{ V}$	-	775	1300	nA	
		$V_{DD} = 2.0\text{ V}$	-	750	1200	nA	
		$T_{amb} = 85\text{ °C}$					
		$V_{DD} = 5.0\text{ V}$	-	600	1200	nA	
		$V_{DD} = 3.0\text{ V}$	-	550	1000	nA	
		$V_{DD} = 2.0\text{ V}$	-	550	900	nA	
		$T_{amb} = 25\text{ °C}$					
		$V_{DD} = 5.0\text{ V}$	-	600	1200	nA	
		$V_{DD} = 3.0\text{ V}$	-	550	1000	nA	
		$V_{DD} = 2.0\text{ V}$	-	550	900	nA	
		$T_{amb} = -40\text{ °C}$					
		$V_{DD} = 5.0\text{ V}$	-	850	1500	nA	
		$V_{DD} = 3.0\text{ V}$	-	775	1300	nA	
$V_{DD} = 2.0\text{ V}$	-	750	1200	nA			
$T_{amb} = -40\text{ °C to }+85\text{ °C}$							
$V_{DD} = 1.8\text{ V}$	-	550	-	nA			

**Table 32. Static characteristics ...continued**

$V_{DD} = 1.8\text{ V to }5.5\text{ V}$ ;  $V_{SS} = 0\text{ V}$ ;  $T_{amb} = -40\text{ °C to }+125\text{ °C}$ ;  $f_{osc} = 32.768\text{ kHz}$ ; quartz  $R_s = 40\text{ k}\Omega$ ;  $C_L = 8\text{ pF}$ ; unless otherwise specified.

Symbol	Parameter	Conditions	Min	Typ	Max	Unit
I <sub>DD</sub>	supply current	interface inactive ( $f_{SCL} = 0\text{ Hz}$ ); CLKOUT enabled at 32 kHz <a href="#">[1][2]</a>				
		$T_{amb} = 125\text{ °C}$				
		$V_{DD} = 5.0\text{ V}$	-	1300	2500	nA
		$V_{DD} = 3.0\text{ V}$	-	1100	1900	nA
		$V_{DD} = 2.0\text{ V}$	-	1000	1700	nA
		$T_{amb} = 105\text{ °C}$				
		$V_{DD} = 5.0\text{ V}$	-	1100	2200	nA
		$V_{DD} = 3.0\text{ V}$	-	900	1600	nA
		$V_{DD} = 2.0\text{ V}$	-	800	1400	nA
		$T_{amb} = 85\text{ °C}$				
		$V_{DD} = 5.0\text{ V}$	-	900	1900	nA
		$V_{DD} = 3.0\text{ V}$	-	700	1300	nA
		$V_{DD} = 2.0\text{ V}$	-	600	1100	nA
		$T_{amb} = 25\text{ °C}$				
		$V_{DD} = 5.0\text{ V}$	-	900	1900	nA
		$V_{DD} = 3.0\text{ V}$	-	700	1300	nA
		$V_{DD} = 2.0\text{ V}$	-	600	1100	nA
$T_{amb} = -40\text{ °C}$						
$V_{DD} = 5.0\text{ V}$	-	1100	2200	nA		
$V_{DD} = 3.0\text{ V}$	-	900	1600	nA		
$V_{DD} = 2.0\text{ V}$	-	800	1400	nA		
<b>Inputs</b>						
V <sub>IL</sub>	LOW-level input voltage		$V_{SS} - 0.3$	-	$0.3V_{DD}$	V
V <sub>IH</sub>	HIGH-level input voltage	pins SCL, SDA, CLKOE, OSCI	$0.7V_{DD}$	-	-	V
I <sub>LI</sub>	input leakage current	pins SCL, SDA; $V_I = V_{DD}$ or $V_{SS}$	-1	0	+1	μA
C <sub>i</sub>	input capacitance		<a href="#">[3]</a>	-	7	pF
<b>Outputs</b>						
I <sub>OL</sub>	LOW-level output current	output sink current; $V_{OL} = 0.4\text{ V}$ ; $V_{DD} = 5\text{ V}$				
		pin SDA	3	-	-	mA
		pin $\overline{\text{INT}}$	1	-	-	mA
		pin CLKOUT; $V_O = V_{DD}$ or $V_{SS}$	1	-	-	mA
I <sub>LO</sub>	output leakage current		-1	0	+1	μA
<b>Voltage detector and temperature</b>						
V <sub>low</sub>	low voltage		-	0.9	1.7	V
T <sub>amb</sub>	ambient temperature		-40	-	+125	°C

[1] Timer source clock = 1/60 Hz, level of pins SCL and SDA is  $V_{DD}$  or  $V_{SS}$ .

[2] Worst case is at high temperature and high supply voltage.

[3] Tested on sample basis.

## 14. Dynamic characteristics

**Table 33. Dynamic characteristics**

$V_{DD} = 1.8\text{ V to }5.5\text{ V}$ ;  $V_{SS} = 0\text{ V}$ ;  $T_{amb} = -40\text{ }^{\circ}\text{C to }+125\text{ }^{\circ}\text{C}$ ;  $f_{osc} = 32.768\text{ kHz}$ ; quartz  $R_s = 40\text{ k}\Omega$ ;  $C_L = 8\text{ pF}$ ; unless otherwise specified.

Symbol	Parameter	Conditions	Min	Typ	Max	Unit
<b>Oscillator</b>						
$C_{L(itg)}$	integrated load capacitance	[1]	6	8	10	pF
$\Delta f_{osc}/f_{osc}$	relative oscillator frequency variation	$\Delta V_{DD} = 200\text{ mV}$ ; $T_{amb} = 25\text{ }^{\circ}\text{C}$	-	0.2	-	ppm
<b>CLKOUT output</b>						
$\delta_{CLKOUT}$	duty cycle on pin CLKOUT	[2]	-	50	-	%
<b>Timing characteristics: I<sup>2</sup>C-bus [3][4]</b>						
$f_{SCL}$	SCL clock frequency	[5]	-	-	400	kHz
$t_{HD,STA}$	hold time (repeated) START condition		0.6	-	-	$\mu\text{s}$
$t_{SU,STA}$	set-up time for a repeated START condition		0.6	-	-	$\mu\text{s}$
$t_{LOW}$	LOW period of the SCL clock		1.3	-	-	$\mu\text{s}$
$t_{HIGH}$	HIGH period of the SCL clock		0.6	-	-	$\mu\text{s}$
$t_r$	rise time	of SCL and SDA signals	-	-	0.3	$\mu\text{s}$
$t_f$	fall time	of SCL and SDA signals	-	-	0.3	$\mu\text{s}$
$t_{SU,DAT}$	data set-up time		100	-	-	ns
$t_{HD,DAT}$	data hold time		0	-	-	ns
$t_{SU,STO}$	set-up time for STOP condition		0.6	-	-	$\mu\text{s}$
$t_{w(\text{spike})}$	spike pulse width	tolerable	-	-	50	ns
$C_b$	capacitive load for each bus line		-	-	400	pF

[1] Integrated load capacitance,  $C_{L(itg)}$ , is a calculation of  $C_{OSCI}$  and  $C_{OSCO}$  in series:  $C_{L(itg)} = \frac{C_{OSCI} \cdot C_{OSCO}}{C_{OSCI} + C_{OSCO}}$ .

[2] Unspecified for  $f_{CLKOUT} = 32.768\text{ kHz}$ .

[3] All timing values are valid within the operating supply voltage range at ambient temperature and referenced to  $V_{IL}$  and  $V_{IH}$  with an input voltage swing of  $V_{SS}$  to  $V_{DD}$ .

[4] A detailed description of the I<sup>2</sup>C-bus specification is given in [Ref. 9 "UM10204"](#).

[5] I<sup>2</sup>C-bus access time between two starts or between a start and a stop condition to this device must be less than one second.



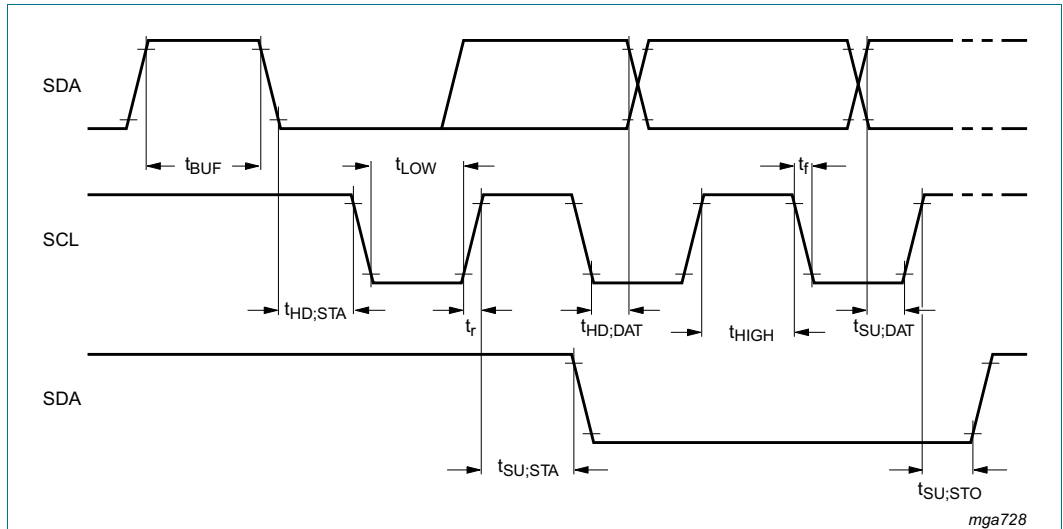
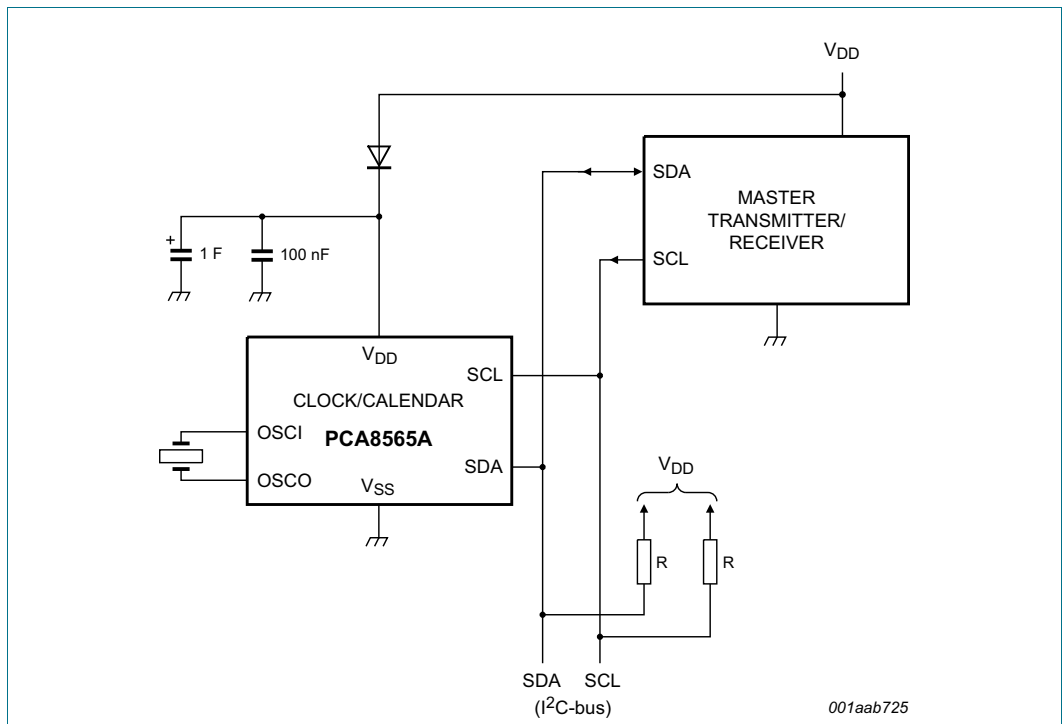


Fig 22. I<sup>2</sup>C-bus timing waveforms

### 15. Application information



Connect CLKOE to an appropriate level.

Fig 23. Application diagram

## 16. Test information

---

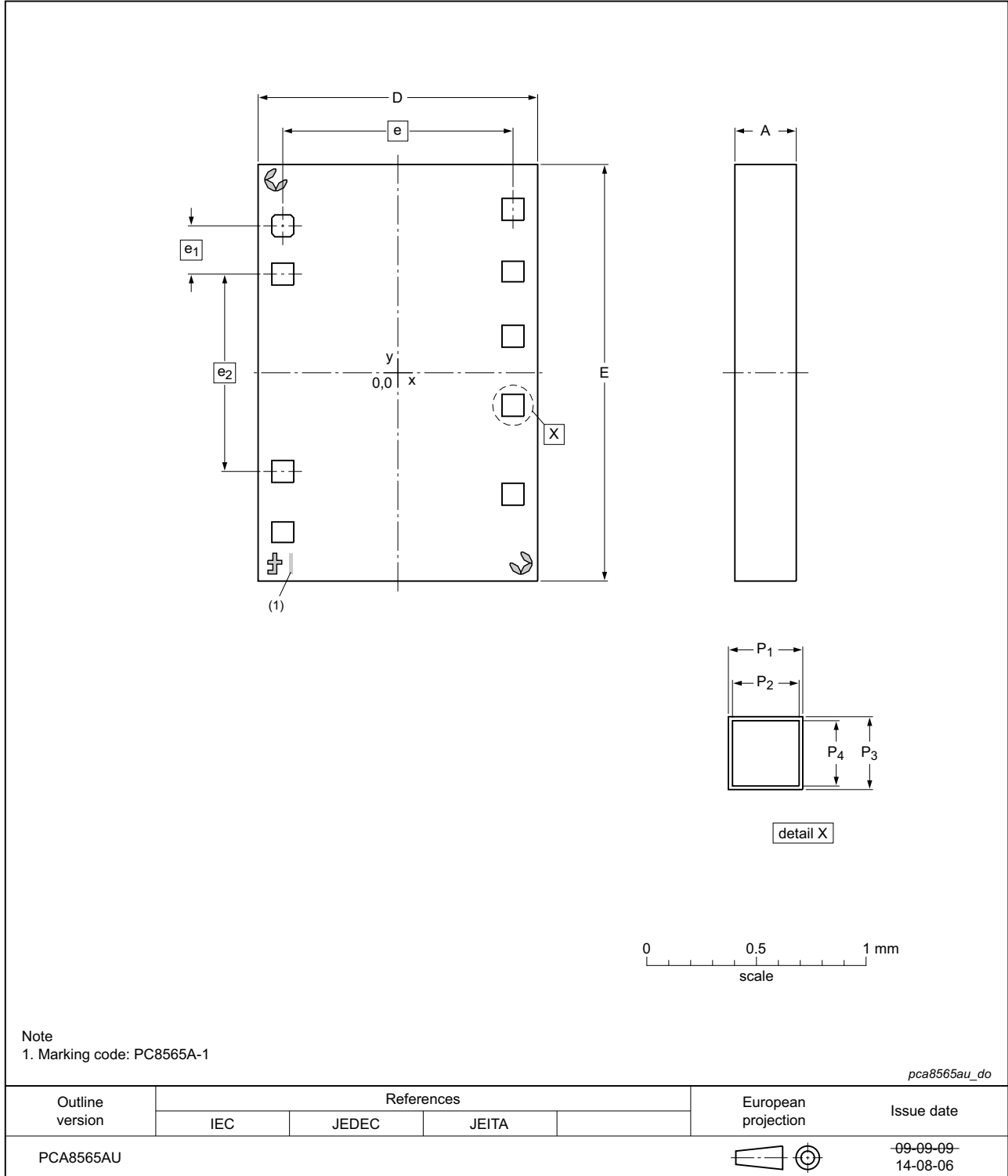
### 16.1 Quality information

This product has been qualified in accordance with the Automotive Electronics Council (AEC) standard *Q100 - Failure mechanism based stress test qualification for integrated circuits*, and is suitable for use in automotive applications.

**17. Bare die outline**

Wire bond die; 9 bonding pads

PCA8565AU



**Fig 24. Bare die outline**

**Table 34. Dimensions of PCA8565AU**

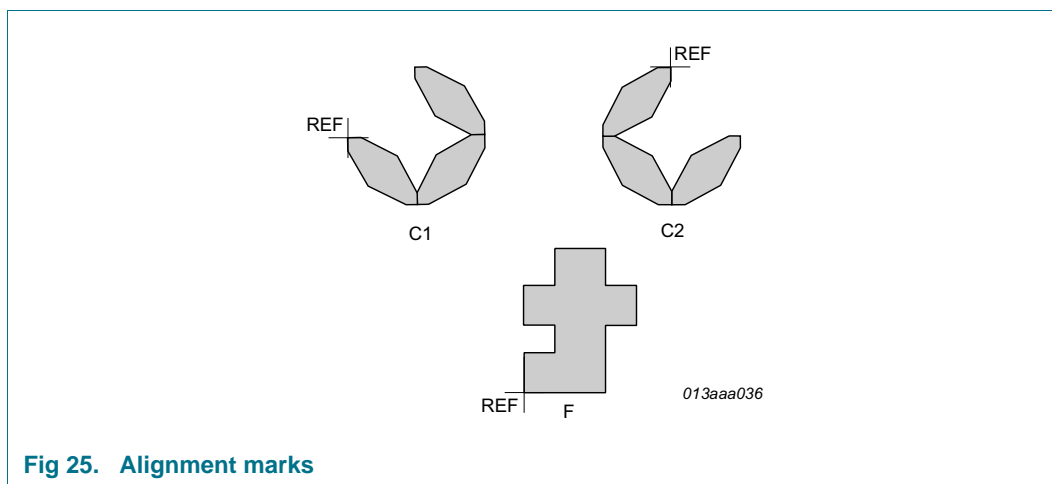
Original dimensions are in mm. Chip dimensions including sawline.

Unit (mm)	A	D	E	e	e <sub>1</sub>	e <sub>2</sub>	P <sub>1</sub>	P <sub>2</sub>	P <sub>3</sub>	P <sub>4</sub>
max	-	-	-	-	-	-	-	-	-	-
nom	0.28	1.26	1.89	1.05	0.22	0.9	0.1	0.09	0.1	0.09
min	-	-	-	-	-	-	-	-	-	-

**Table 35. Pin description**

All x/y coordinates represent the position of the center of each pad with respect to the center (x/y = 0) of the chip; see [Figure 24](#).

Symbol	Pad	X	Y
OSCI	1	-523.0 μm	689.4 μm
OSCO	2	-523.0 μm	469.4 μm
$\overline{\text{INT}}$	3	-523.0 μm	-429.8 μm
V <sub>SS</sub>	4	-523.0 μm	-684.4 μm
SDA	5	524.9 μm	-523.8 μm
SCL	6	524.9 μm	-138.6 μm
CLKOUT	7	524.9 μm	162.5 μm
V <sub>DD</sub>	8	524.9 μm	443.3 μm
CLKOE	9	524.9 μm	716.3 μm



**Fig 25. Alignment marks**

**Table 36. Alignment mark description**

All x/y coordinates represent the position of the REF point (see [Figure 25](#)) with respect to the center (x/y = 0) of the chip; see [Figure 24](#).

Symbol	Size (μm)	X	Y
C1	100 × 100	465.2 μm	-826.3 μm
C2	100 × 100	-523.5 μm	890.0 μm
F	90 × 117	-569.9 μm	-885.5 μm

## 18. Handling information

---

All input and output pins are protected against ElectroStatic Discharge (ESD) under normal handling. When handling Metal-Oxide Semiconductor (MOS) devices ensure that all normal precautions are taken as described in *JESD625-A*, *IEC 61340-5* or equivalent standards.

## 19. Packing information

---

### 19.1 Wafer information

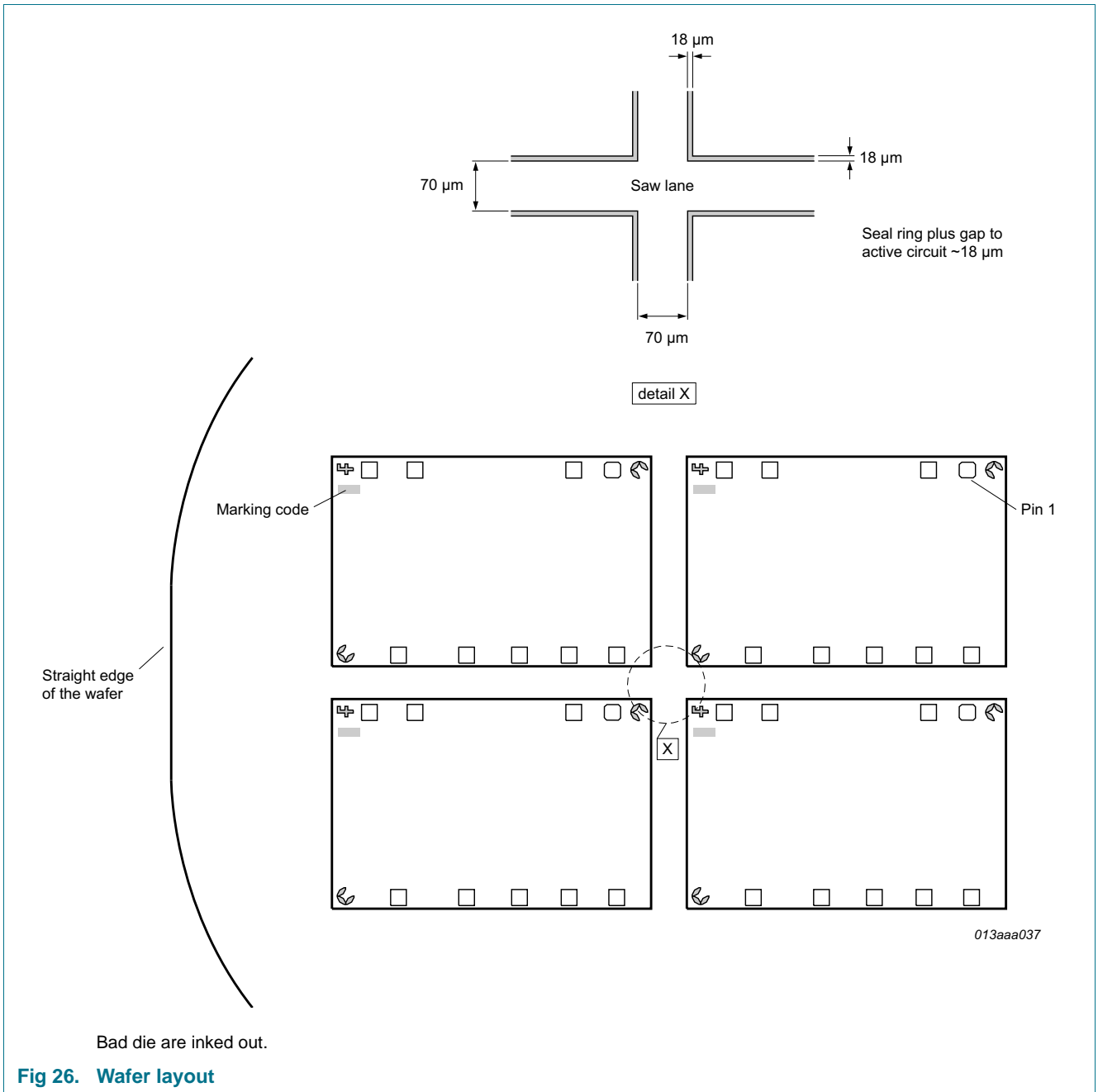


Fig 26. Wafer layout

## 20. Appendix

### 20.1 Real-Time Clock selection

Table 37. Selection of Real-Time Clocks

Type name	Alarm, Timer, Watchdog	Interrupt output	Interface	I <sub>DD</sub> , typical (nA)	Battery backup	Timestamp, tamper input	AEC-Q100 compliant	Special features	Packages
PCF8563	X	1	I <sup>2</sup> C	250	-	-	-	-	SO8, TSSOP8, HVSON10
PCF8564A	X	1	I <sup>2</sup> C	250	-	-	-	integrated oscillator caps	WLCSP
PCA8565	X	1	I <sup>2</sup> C	600	-	-	grade 1	high robustness, T <sub>amb</sub> = -40 °C to 125 °C	TSSOP8, HVSON10
PCA8565A	X	1	I <sup>2</sup> C	600	-	-	-	integrated oscillator caps, T <sub>amb</sub> = -40 °C to 125 °C	WLCSP
PCF85063	-	1	I <sup>2</sup> C	220	-	-	-	basic functions only, no alarm	HXSON8
PCF85063A	X	1	I <sup>2</sup> C	220	-	-	-	tiny package	SO8, DFN2626-10
PCF85063B	X	1	SPI	220	-	-	-	tiny package	DFN2626-10
PCF85263A	X	2	I <sup>2</sup> C	230	X	X	-	time stamp, battery backup, stopwatch 1/100 s	SO8, TSSOP10, TSSOP8, DFN2626-10
PCF85263B	X	2	SPI	230	X	X	-	time stamp, battery backup, stopwatch 1/100s	TSSOP10, DFN2626-10
PCF85363A	X	2	I <sup>2</sup> C	230	X	X	-	time stamp, battery backup, stopwatch 1/100s, 64 Byte RAM	TSSOP10, DFN2626-10
PCF85363B	X	2	SPI	230	X	X	-	time stamp, battery backup, stopwatch 1/100s, 64 Byte RAM	TSSOP10, DFN2626-10
PCF8523	X	2	I <sup>2</sup> C	150	X	-	-	lowest power 150 nA in operation, FM+ 1 MHz	SO8, HVSON8, TSSOP14, WLCSP
PCF2123	X	1	SPI	100	-	-	-	lowest power 100 nA in operation	TSSOP14, HVQFN16
PCF2127	X	1	I <sup>2</sup> C and SPI	500	X	X	-	temperature compensated, quartz built in, calibrated, 512 Byte RAM	SO16

Table 37. Selection of Real-Time Clocks ...continued

Type name	Alarm, Timer, Watchdog	Interrupt output	Interface	I <sub>DD</sub> , typical (nA)	Battery backup	Timestamp, tamper input	AEC-Q100 compliant	Special features	Packages
PCF2127A	X	1	I <sup>2</sup> C and SPI	500	X	X	-	temperature compensated, quartz built in, calibrated, 512 Byte RAM	SO20
PCF2129	X	1	I <sup>2</sup> C and SPI	500	X	X	-	temperature compensated, quartz built in, calibrated	SO16
PCF2129A	X	1	I <sup>2</sup> C and SPI	500	X	X	-	temperature compensated, quartz built in, calibrated	SO20
PCA2129	X	1	I <sup>2</sup> C and SPI	500	X	X	grade 3	temperature compensated, quartz built in, calibrated	SO16
PCA21125	X	1	SPI	820	-	-	grade 1	high robustness, T <sub>amb</sub> = -40 °C to 125 °C	TSSOP14



## 21. Abbreviations

Table 38. Abbreviations

Acronym	Description
AEC	Automotive Electronics Council
BCD	Binary Coded Decimal
CMOS	Complementary Metal Oxide Semiconductor
HBM	Human Body Model
I <sup>2</sup> C	Inter-Integrated Circuit
IC	Integrated Circuit
MM	Machine Model
MOS	Metal Oxide Semiconductor
MSB	Most Significant Bit
POR	Power-On Reset
RTC	Real Time Clock
SCL	Serial CLock line
SDA	Serial Data Line

## 22. References

- [1] **AN10706** — Handling bare die
- [2] **IEC 60134** — Rating systems for electronic tubes and valves and analogous semiconductor devices
- [3] **IEC 61340-5** — Protection of electronic devices from electrostatic phenomena
- [4] **JESD22-A114** — Electrostatic Discharge (ESD) Sensitivity Testing Human Body Model (HBM)
- [5] **JESD22-A115** — Electrostatic Discharge (ESD) Sensitivity Testing Machine Model (MM)
- [6] **JESD22-C101** — Field-Induced Charged-Device Model Test Method for Electrostatic-Discharge-Withstand Thresholds of Microelectronic Components
- [7] **JESD78** — IC Latch-Up Test
- [8] **JESD625-A** — Requirements for Handling Electrostatic-Discharge-Sensitive (ESDS) Devices
- [9] **UM10204** — I<sup>2</sup>C-bus specification and user manual
- [10] **UM10301** — User Manual for NXP Real Time Clocks PCF85x3, PCA8565 and PCF2123, PCA2125
- [11] **UM10569** — Store and transport requirements

## 23. Revision history

**Table 39. Revision history**

Document ID	Release date	Data sheet status	Change notice	Supersedes
PCA8565A v.3	20140901	Product data sheet	-	PCA8565A v.2
Modifications:	<ul style="list-style-type: none"><li>• The format of this data sheet has been redesigned to comply with the new identity guidelines of NXP Semiconductors.</li><li>• Legal texts have been adapted to the new company name where appropriate.</li><li>• Removed obsolete product type</li></ul>			
PCA8565A v.2	20091204	Product data sheet	-	PCA8565A v.1
PCA8565A v.1	20080222	Product data sheet	-	-

## 24. Legal information

### 24.1 Data sheet status

Document status <sup>[1][2]</sup>	Product status <sup>[3]</sup>	Definition
Objective [short] data sheet	Development	This document contains data from the objective specification for product development.
Preliminary [short] data sheet	Qualification	This document contains data from the preliminary specification.
Product [short] data sheet	Production	This document contains the product specification.

[1] Please consult the most recently issued document before initiating or completing a design.

[2] The term 'short data sheet' is explained in section "Definitions".

[3] The product status of device(s) described in this document may have changed since this document was published and may differ in case of multiple devices. The latest product status information is available on the Internet at URL <http://www.nxp.com>.

### 24.2 Definitions

**Draft** — The document is a draft version only. The content is still under internal review and subject to formal approval, which may result in modifications or additions. NXP Semiconductors does not give any representations or warranties as to the accuracy or completeness of information included herein and shall have no liability for the consequences of use of such information.

**Product specification** — The information and data provided in a Product data sheet shall define the specification of the product as agreed between NXP Semiconductors and its customer, unless NXP Semiconductors and customer have explicitly agreed otherwise in writing. In no event however, shall an agreement be valid in which the NXP Semiconductors product is deemed to offer functions and qualities beyond those described in the Product data sheet.

**Short data sheet** — A short data sheet is an extract from a full data sheet with the same product type number(s) and title. A short data sheet is intended for quick reference only and should not be relied upon to contain detailed and full information. For detailed and full information see the relevant full data sheet, which is available on request via the local NXP Semiconductors sales office. In case of any inconsistency or conflict with the short data sheet, the full data sheet shall prevail.

### 24.3 Disclaimers

**Limited warranty and liability** — Information in this document is believed to be accurate and reliable. However, NXP Semiconductors does not give any representations or warranties, expressed or implied, as to the accuracy or completeness of such information and shall have no liability for the consequences of use of such information. NXP Semiconductors takes no responsibility for the content in this document if provided by an information source outside of NXP Semiconductors.

In no event shall NXP Semiconductors be liable for any indirect, incidental, punitive, special or consequential damages (including - without limitation - lost profits, lost savings, business interruption, costs related to the removal or replacement of any products or rework charges) whether or not such damages are based on tort (including negligence), warranty, breach of contract or any other legal theory.

Notwithstanding any damages that customer might incur for any reason whatsoever, NXP Semiconductors' aggregate and cumulative liability towards customer for the products described herein shall be limited in accordance with the *Terms and conditions of commercial sale* of NXP Semiconductors.

**Right to make changes** — NXP Semiconductors reserves the right to make changes to information published in this document, including without limitation specifications and product descriptions, at any time and without notice. This document supersedes and replaces all information supplied prior to the publication hereof.

**Suitability for use in automotive applications** — This NXP Semiconductors product has been qualified for use in automotive applications. Unless otherwise agreed in writing, the product is not designed, authorized or warranted to be suitable for use in life support, life-critical or safety-critical systems or equipment, nor in applications where failure or malfunction of an NXP Semiconductors product can reasonably be expected to result in personal injury, death or severe property or environmental damage. NXP Semiconductors and its suppliers accept no liability for inclusion and/or use of NXP Semiconductors products in such equipment or applications and therefore such inclusion and/or use is at the customer's own risk.

**Applications** — Applications that are described herein for any of these products are for illustrative purposes only. NXP Semiconductors makes no representation or warranty that such applications will be suitable for the specified use without further testing or modification.

Customers are responsible for the design and operation of their applications and products using NXP Semiconductors products, and NXP Semiconductors accepts no liability for any assistance with applications or customer product design. It is customer's sole responsibility to determine whether the NXP Semiconductors product is suitable and fit for the customer's applications and products planned, as well as for the planned application and use of customer's third party customer(s). Customers should provide appropriate design and operating safeguards to minimize the risks associated with their applications and products.

NXP Semiconductors does not accept any liability related to any default, damage, costs or problem which is based on any weakness or default in the customer's applications or products, or the application or use by customer's third party customer(s). Customer is responsible for doing all necessary testing for the customer's applications and products using NXP Semiconductors products in order to avoid a default of the applications and the products or of the application or use by customer's third party customer(s). NXP does not accept any liability in this respect.

**Limiting values** — Stress above one or more limiting values (as defined in the Absolute Maximum Ratings System of IEC 60134) will cause permanent damage to the device. Limiting values are stress ratings only and (proper) operation of the device at these or any other conditions above those given in the Recommended operating conditions section (if present) or the Characteristics sections of this document is not warranted. Constant or repeated exposure to limiting values will permanently and irreversibly affect the quality and reliability of the device.

**Terms and conditions of commercial sale** — NXP Semiconductors products are sold subject to the general terms and conditions of commercial sale, as published at <http://www.nxp.com/profile/terms>, unless otherwise agreed in a valid written individual agreement. In case an individual agreement is concluded only the terms and conditions of the respective agreement shall apply. NXP Semiconductors hereby expressly objects to applying the customer's general terms and conditions with regard to the purchase of NXP Semiconductors products by customer.

**No offer to sell or license** — Nothing in this document may be interpreted or construed as an offer to sell products that is open for acceptance or the grant, conveyance or implication of any license under any copyrights, patents or other industrial or intellectual property rights.

**Export control** — This document as well as the item(s) described herein may be subject to export control regulations. Export might require a prior authorization from competent authorities.

**Translations** — A non-English (translated) version of a document is for reference only. The English version shall prevail in case of any discrepancy between the translated and English versions.

**Bare die** — All die are tested on compliance with their related technical specifications as stated in this data sheet up to the point of wafer sawing and are handled in accordance with the NXP Semiconductors storage and transportation conditions. If there are data sheet limits not guaranteed, these will be separately indicated in the data sheet. There are no post-packing tests performed on individual die or wafers.

NXP Semiconductors has no control of third party procedures in the sawing, handling, packing or assembly of the die. Accordingly, NXP Semiconductors assumes no liability for device functionality or performance of the die or systems after third party sawing, handling, packing or assembly of the die. It is the responsibility of the customer to test and qualify their application in which the die is used.

All die sales are conditioned upon and subject to the customer entering into a written die sale agreement with NXP Semiconductors through its legal department.

## 24.4 Trademarks

Notice: All referenced brands, product names, service names and trademarks are the property of their respective owners.

**I<sup>2</sup>C-bus** — logo is a trademark of NXP Semiconductors N.V.

## 25. Contact information

For more information, please visit: <http://www.nxp.com>

For sales office addresses, please send an email to: [salesaddresses@nxp.com](mailto:salesaddresses@nxp.com)

26. Tables

Table 1. Ordering information .....2

Table 2. Ordering options .....2

Table 3. Marking codes .....2

Table 4. Pin description .....4

Table 5. Register overview .....6

Table 6. Control\_status\_1 - control and status register 1  
(address 00h) bit description .....7

Table 7. Control\_status\_2 - control and status register 2  
(address 01h) bit description .....7

Table 8. Register reset values<sup>[1]</sup> .....8

Table 9. VL\_seconds - seconds and clock integrity status  
register (address 02h) bit description .....9

Table 10. Seconds coded in BCD format .....9

Table 11. Minutes - minutes register (address 03h)  
bit description .....10

Table 12. Hours - hours register (address 04h)  
bit description .....10

Table 13. Days - days register (address 05h)  
bit description .....10

Table 14. Weekdays - weekdays register (address 06h)  
bit description .....11

Table 15. Weekday assignments .....11

Table 16. Century\_months - century flag and months  
register (address 07h) bit description .....11

Table 17. Month assignments in BCD format .....12

Table 18. Years - years register (08h) bit description . . .12

Table 19. Minute\_alarm - minute alarm register  
(address 09h) bit description .....15

Table 20. Hour\_alarm - hour alarm register  
(address 0Ah) bit description .....15

Table 21. Day\_alarm - day alarm register (address 0Bh)  
bit description .....16

Table 22. Weekday\_alarm - weekday alarm register  
(address 0Ch) bit description .....16

Table 23. Timer\_control - timer control register  
(address 0Eh) bit description .....17

Table 24. Timer - timer register (address 0Fh) bit  
description .....17

Table 25. Timer register bits value range .....17

Table 26. CLKOUT\_control - CLKOUT control register  
(address 0Dh) bit description .....18

Table 27. Flag location in register Control\_2 .....19

Table 28. Example to clear only AF (bit 3) in register  
Control\_2 .....19

Table 29. INT operation (bit TI\_TP = 1)<sup>[1]</sup>. . . . .20

Table 30. First increment of time circuits after STOP  
bit release .....22

Table 31. Limiting values .....29

Table 32. Static characteristics .....30

Table 33. Dynamic characteristics .....32

Table 34. Dimensions of PCA8565AU .....36

Table 35. Pin description .....36

Table 36. Alignment mark description .....36

Table 37. Selection of Real-Time Clocks .....39

Table 38. Abbreviations .....41

Table 39. Revision history .....42

## 27. Figures

Fig 1.	Block diagram of PCA8565A	3
Fig 2.	Pin configuration for PCA8565A	4
Fig 3.	POR override sequence	9
Fig 4.	Voltage-low detection	10
Fig 5.	Data flow for the time function	13
Fig 6.	Access time for read/write operations	13
Fig 7.	Alarm function block diagram	15
Fig 8.	AF timing	18
Fig 9.	Interrupt scheme	19
Fig 10.	STOP bit functional diagram	21
Fig 11.	STOP bit release timing	21
Fig 12.	Bit transfer	23
Fig 13.	Definition of START and STOP conditions	23
Fig 14.	System configuration	24
Fig 15.	Acknowledgement on the I <sup>2</sup> C-bus	24
Fig 16.	Slave address	25
Fig 17.	Master transmits to slave receiver (WRITE mode)	25
Fig 18.	Master reads after setting word address (write word address; READ data)	26
Fig 19.	Master reads slave immediately after first byte (READ mode)	26
Fig 20.	Interface watchdog timer	27
Fig 21.	Device diode protection	28
Fig 22.	I <sup>2</sup> C-bus timing waveforms	33
Fig 23.	Application diagram	33
Fig 24.	Bare die outline	35
Fig 25.	Alignment marks	36
Fig 26.	Wafer layout	38

## 28. Contents

<b>1</b>	<b>General description</b> . . . . .	<b>1</b>	9.3	System configuration . . . . .	23
<b>2</b>	<b>Features and benefits</b> . . . . .	<b>1</b>	9.4	Acknowledge . . . . .	24
<b>3</b>	<b>Applications</b> . . . . .	<b>1</b>	9.5	I <sup>2</sup> C-bus protocol . . . . .	25
<b>4</b>	<b>Ordering information</b> . . . . .	<b>2</b>	9.5.1	Addressing . . . . .	25
4.1	Ordering options . . . . .	2	9.5.2	Clock and calendar READ or WRITE cycles . . . . .	25
<b>5</b>	<b>Marking</b> . . . . .	<b>2</b>	9.5.3	Interface watchdog timer . . . . .	26
<b>6</b>	<b>Block diagram</b> . . . . .	<b>3</b>	<b>10</b>	<b>Internal circuitry</b> . . . . .	<b>28</b>
<b>7</b>	<b>Pinning information</b> . . . . .	<b>4</b>	<b>11</b>	<b>Safety notes</b> . . . . .	<b>28</b>
7.1	Pinning . . . . .	4	<b>12</b>	<b>Limiting values</b> . . . . .	<b>29</b>
7.2	Pin description . . . . .	4	<b>13</b>	<b>Static characteristics</b> . . . . .	<b>30</b>
<b>8</b>	<b>Functional description</b> . . . . .	<b>5</b>	<b>14</b>	<b>Dynamic characteristics</b> . . . . .	<b>32</b>
8.1	Register organization . . . . .	6	<b>15</b>	<b>Application information</b> . . . . .	<b>33</b>
8.2	Control registers . . . . .	7	<b>16</b>	<b>Test information</b> . . . . .	<b>34</b>
8.2.1	Register Control_status_1 . . . . .	7	16.1	Quality information . . . . .	34
8.2.2	Register Control_status_2 . . . . .	7	<b>17</b>	<b>Bare die outline</b> . . . . .	<b>35</b>
8.3	Reset . . . . .	8	<b>18</b>	<b>Handling information</b> . . . . .	<b>37</b>
8.3.1	Power-On Reset (POR) override . . . . .	8	<b>19</b>	<b>Packing information</b> . . . . .	<b>37</b>
8.4	Time and date registers . . . . .	9	19.1	Wafer information . . . . .	37
8.4.1	Register VL_seconds . . . . .	9	<b>20</b>	<b>Appendix</b> . . . . .	<b>39</b>
8.4.1.1	Voltage-low detector and clock monitor . . . . .	9	20.1	Real-Time Clock selection . . . . .	39
8.4.2	Register Minutes . . . . .	10	<b>21</b>	<b>Abbreviations</b> . . . . .	<b>41</b>
8.4.3	Register Hours . . . . .	10	<b>22</b>	<b>References</b> . . . . .	<b>41</b>
8.4.4	Register Days . . . . .	10	<b>23</b>	<b>Revision history</b> . . . . .	<b>42</b>
8.4.5	Register Weekdays . . . . .	11	<b>24</b>	<b>Legal information</b> . . . . .	<b>43</b>
8.4.6	Register Century_months . . . . .	11	24.1	Data sheet status . . . . .	43
8.4.7	Register Years . . . . .	12	24.2	Definitions . . . . .	43
8.5	Setting and reading the time . . . . .	13	24.3	Disclaimers . . . . .	43
8.6	Alarm registers . . . . .	14	24.4	Trademarks . . . . .	44
8.6.1	Register Minute_alarm . . . . .	15	<b>25</b>	<b>Contact information</b> . . . . .	<b>44</b>
8.6.2	Register Hour_alarm . . . . .	15	<b>26</b>	<b>Tables</b> . . . . .	<b>45</b>
8.6.3	Register Day_alarm . . . . .	16	<b>27</b>	<b>Figures</b> . . . . .	<b>46</b>
8.6.4	Register Weekday_alarm . . . . .	16	<b>28</b>	<b>Contents</b> . . . . .	<b>47</b>
8.7	Timer function . . . . .	16			
8.7.1	Register Timer_control . . . . .	16			
8.7.2	Register Timer . . . . .	17			
8.8	Register CLKOUT_control and clock output . . . . .	17			
8.9	Interrupt output . . . . .	18			
8.9.1	Bits TF and AF . . . . .	18			
8.9.1.1	Clearing the alarm flag (AF) . . . . .	19			
8.9.2	Bits TIE and AIE . . . . .	19			
8.9.3	Countdown timer interrupts . . . . .	20			
8.10	External clock (EXT_CLK) test mode . . . . .	20			
8.11	STOP bit function . . . . .	21			
<b>9</b>	<b>Characteristics of the I<sup>2</sup>C-bus</b> . . . . .	<b>23</b>			
9.1	Bit transfer . . . . .	23			
9.2	START and STOP conditions . . . . .	23			

Please be aware that important notices concerning this document and the product(s) described herein, have been included in section 'Legal information'.

© NXP Semiconductors N.V. 2014.

All rights reserved.

For more information, please visit: <http://www.nxp.com>

For sales office addresses, please send an email to: [salesaddresses@nxp.com](mailto:salesaddresses@nxp.com)

Date of release: 1 September 2014

Document identifier: PCA8565A