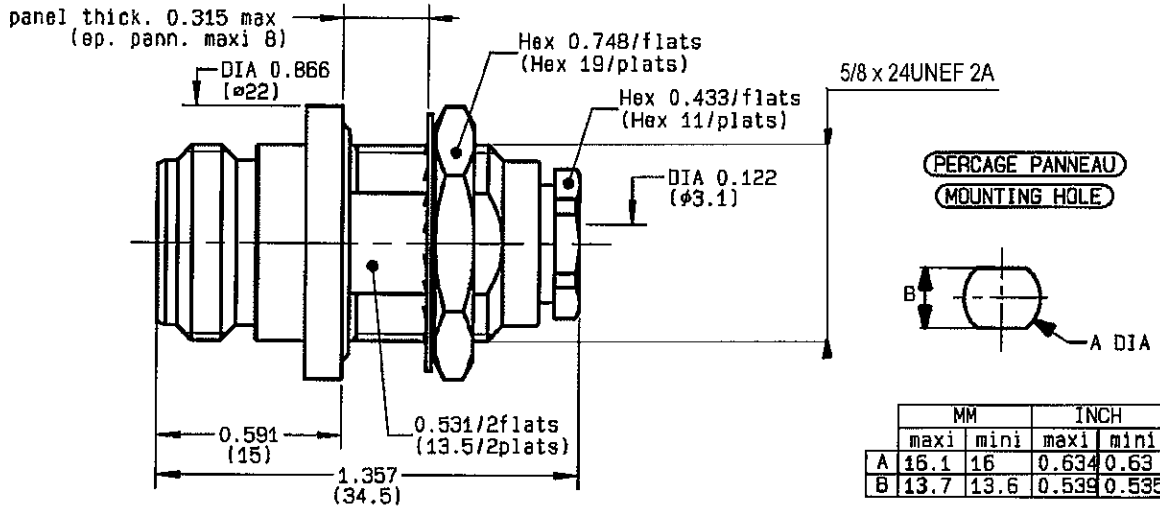


STRAIGHT BULKHEAD JACK PANEL SEAL
CLAMP TYPE - CABLE 2.6/50+75 **R161.321.000**
SERIES N



NOMINAL IMPEDANCE	50 Ω	CABLES :	K022520
FREQUENCY RANGE	0-11 GHz		K022520 SPL
TEMPERATURE RATING	-55/+155 °C		KX 22A
V.S.W.R	1.40 + x F(GHz)Maxi		RD 316
RF INSERTION LOSS	0.048 \sqrt{F} (GHz) dB Maxi		RS 179
VOLTAGE RATING	250 Veff Maxi		RS 187
DIELECTRIC WITHSTANDING VOLTAGE	750 Veff Mini		RS 188
INSULATION RESISTANCE	5000 M Ω Mini	OTHERS CHARACTERISTICS	
HERMETIC SEAL	NA Atm.cm ³ /s	CABLE RETENTION	40 N Mini
LEAKAGE (pressurized only)	IP 67	CENTER CONTACT RETENTION	
MECHANICAL DURABILITY	500 Cycles	Axial force - mating end	27 N Mini
WEIGHT	43 gr	Axial force - opposite end	27 N Mini
SPECIFICATION		Torque	NA cm.N Mini
		RECOMMENDED TORQUES	
		Mating	NA cm.N
		Panel nut	500 cm.N
		Clamp nut	150 cm.N

CONNECTOR PARTS	MATERIALS	FINISH	(all values are given in micrometers)
BODY	BRASS	BBR 2	
OUTER CONTACT	BRASS	BBR 2	
CENTER CONTACT	BERYLLIUM COPPER	GOLD 0.5 OVER NICKEL 2	
INSULATOR	PTFE	-	
GASKET	SILICONE RUBBER	-	
OTHERS PIECES	BRASS	BBR 2	

BONDINI

ISSUE	CREATION DATE	FILE PART-NUMBER
0633 B	12/10/1992	



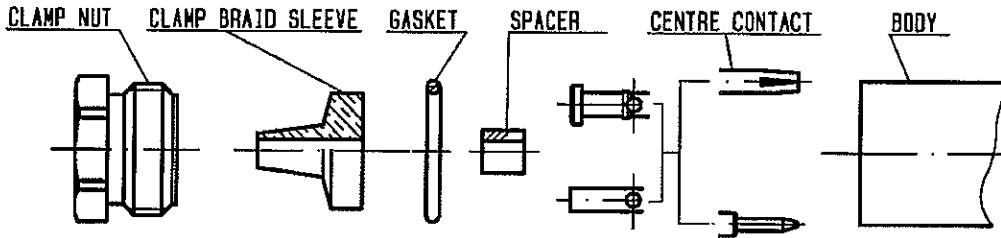
The information given here is subject to change without notice. Design changes may be in order to improve the product.

Connect to the future



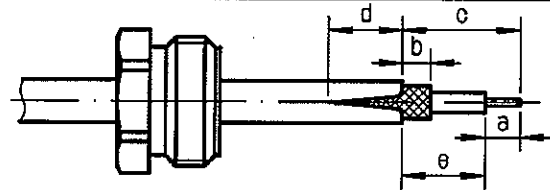
R161.321.000

ISSUE 0633 B SERIES N



①

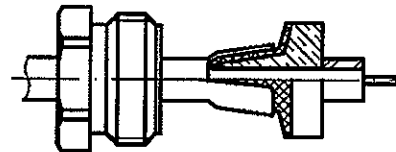
Slide clamp nut onto cable .
Strip the cable .
Cut the jacket (2 slots)
apart if necessary .



Stripping	a	b	c	d	e
inch	0.157	0.079	0.315	0.079	0.157
mm	4	2	8	2	4

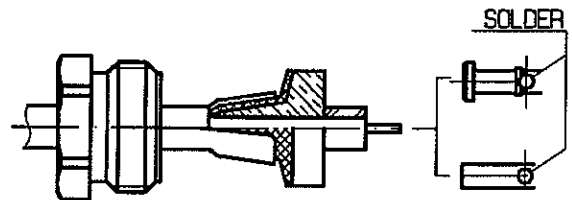
②

Slide the clamp braid sleeve between
cable dielectric and braid .
Cut the braid flush with the clamp
braid sleeve .
Slide the spacer .



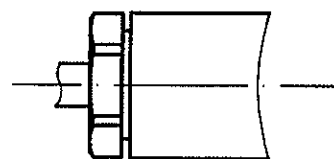
③

Solder the cable inner conductor into
centre contact .
Slide the back nut over the clamp
assembly .



④

Mount the gasket into the connector .
Screw sub-assembly into the connector
body .
(recommended coupling torque 13.27 in.lb)



Hex. : 0.433/flats

BONOMINI