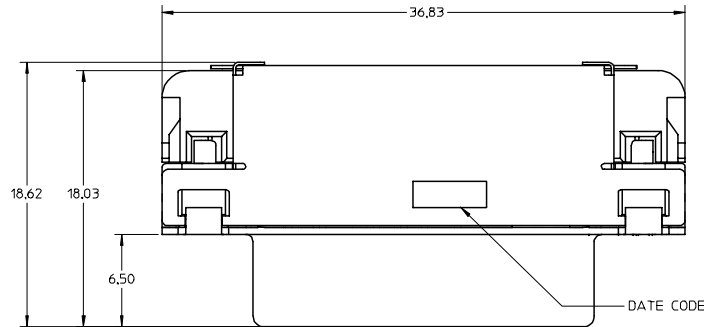
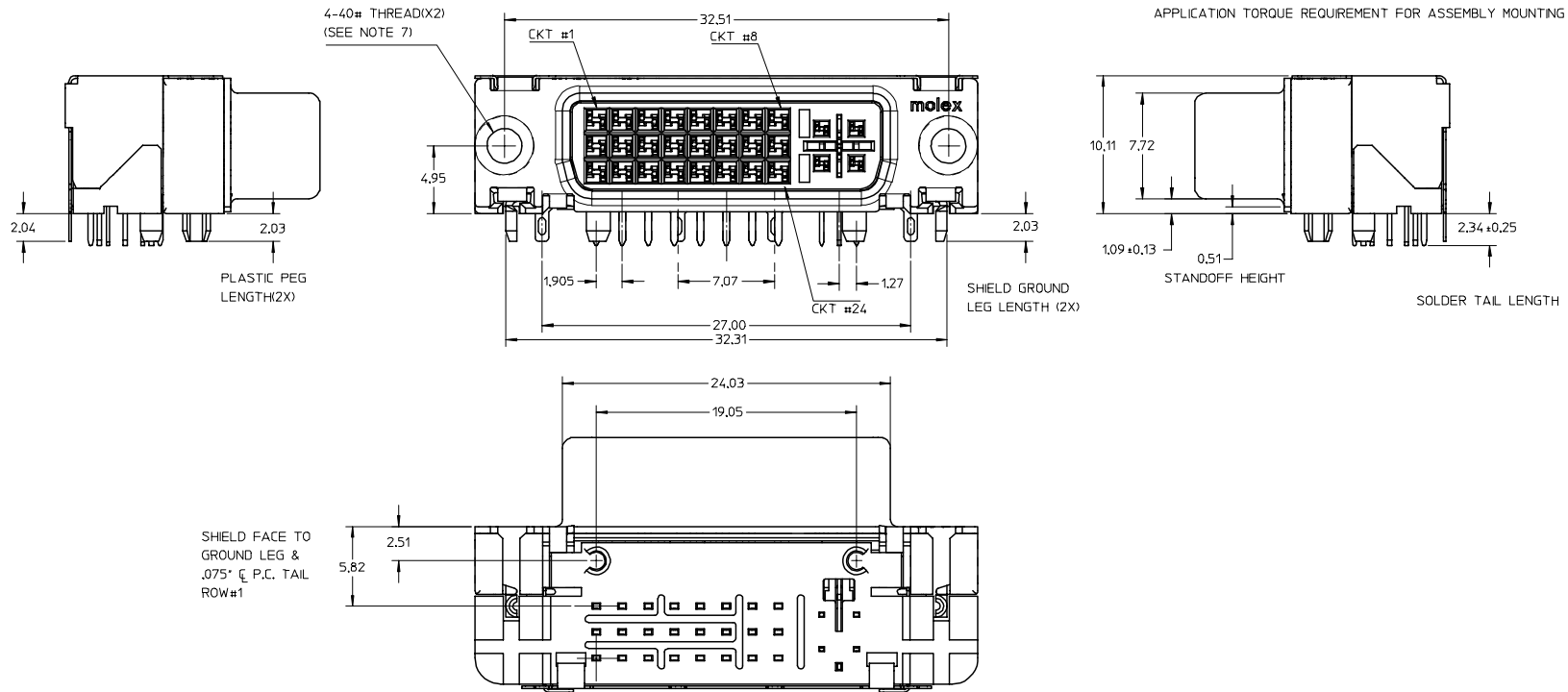


J  
I  
H  
G  
F  
E  
D  
C  
B  
A

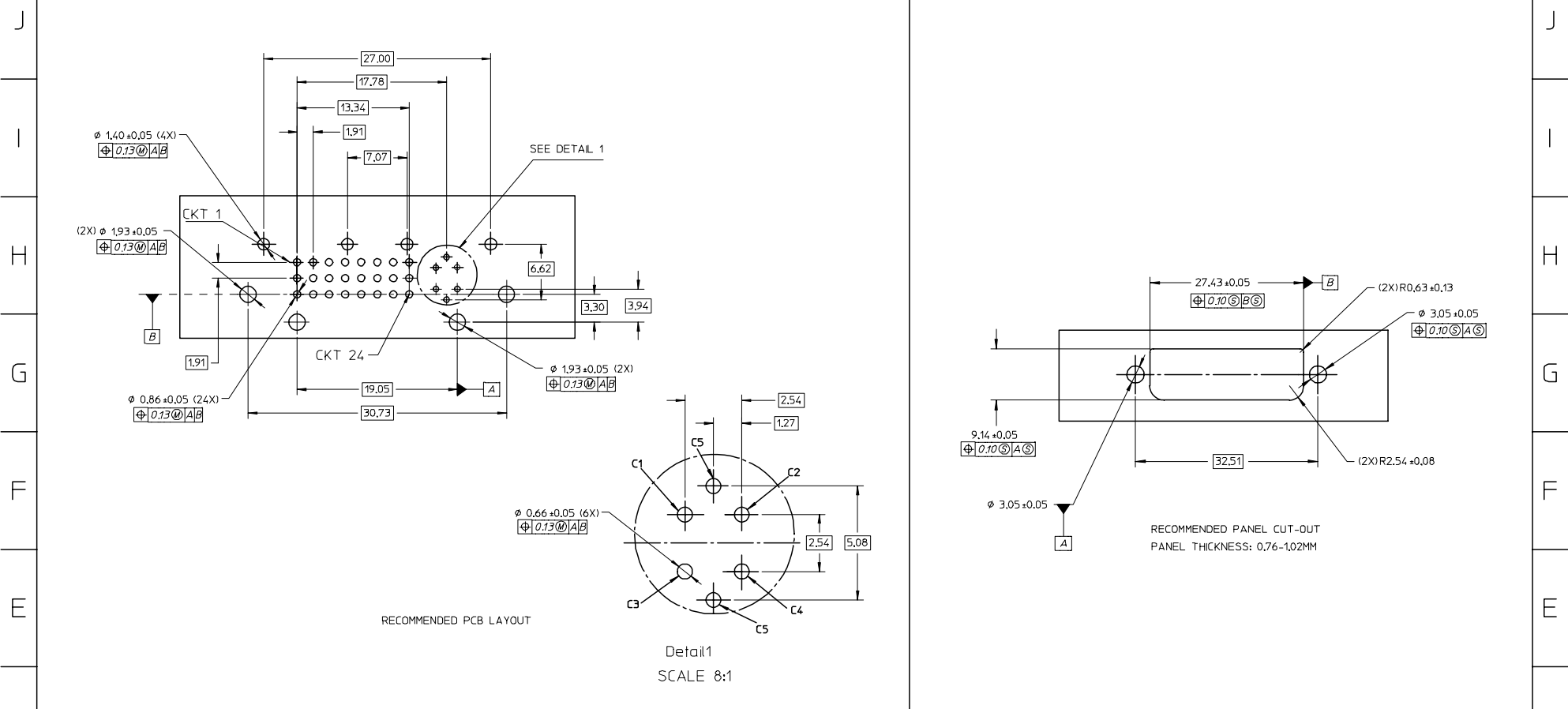


1. MATERIALS:  
 FRONT SHIELD -- DEEP DRAW STEEL  
 BACK SHIELD -- STAINLESS STEEL  
 HOUSING -- GLASS FILLED POLYMER,NATURE(IVORY WHITE)UL 94v-0.  
 TAIL ALIGNER -- GLASS FILLED POLYMER, NATURE(IVORY WHITE)UL 94v-0.  
 CONTACTS -- COPPER ALLOY  
 MICROCROSS GROUND -- COPPER ALLOY
2. PLATING SHEET 2
3. PRODUCT CONFIRMS TO MOLEX PRODUCT SPECIFICATION NUMBER PS-74320-001. REFER TO THIS SPECIFICATION FOR SPACING ON A P.C.B.OF TWO OR MORE CONNECTORS WITH USING A CABLE OR AN ADAPTER ASSEMBLY.
4. SEE SHEET 2 FOR RECOMMENDED PANEL CUT-OUT AND P.C.B.LAYOUT.
5. PARTS WILL BE PACKAGED IN TRAYS PER PK-74320-010
6. PRODUCT CONFIRMS TO DDWG DVI SPECIFICATION,REFER TO THIS SPECIFICATION FOR CONNECTOR MATING DIMENSIONS.
7. RECOMMENDED MOUNTING HARDWARE IS MOLEX P/N 88780-6066 OR 82007-0300 OR 71781-0001 REFER TO PRODUCT SPECIFICATION NUMBER PS-74320-001 FOR THE APPLICATION TORQUE REQUIREMENT FOR ASSEMBLY MOUNTING HARDWARE.



NEW RELEASE EC NO: SH2005-0035 DRAWN: DXUE 2004/08/19 CHKD: 2004/08/20 APPR: YTYAP 2004/08/20	QUALITY SYMBOLS ▽ - 0 ◻ - 0	GENERAL TOLERANCES (UNLESS SPECIFIED)		SCALE 4:1	DESIGN UNITS METRIC	THIRD ANGLE PROJECTION	REVISE ON CAD ONLY			
		DIMENSION STYLE MM ONLY	TITLE DVI-I RIGHT ANGLE RECEPTACLE CONNECTOR WITH EMI SHIELDING		MOLEX INCORPORATED					
		4 PLACES ± --- ± --- 3 PLACES ± --- ± --- 2 PLACES ± 0.25 ± --- 1 PLACE ± 0.25 ± ---	ANGULAR ± 3°	DRAFT WHERE APPLICABLE MUST REMAIN WITHIN DIMENSIONS	DIMENSION STYLE MM ONLY	DRAWN BY DXUE	DATE 2004/8/5	MATERIAL NO. 743201304	DOCUMENT NO. SD-74320-050	SHEET NO. 1 OF 2
		THIS DRAWING CONTAINS INFORMATION THAT IS PROPRIETARY TO MOLEX INCORPORATED AND SHOULD NOT BE USED WITHOUT WRITTEN PERMISSION								

12 11 10 9 8 7 6 5 4 3 2



RECOMMENDED PCB LAYOUT

Detail1  
SCALE 8:1

RECOMMENDED PANEL CUT-OUT  
PANEL THICKNESS: 0,76-1,02MM

PLATING OPTIONS:  
 PLATING OPTION #1:  
 FRONT SHIELD -- 150u"/3,75um MIN, BRIGHT TIN OVER  
 50u"/1,27um MIN, NICKEL OVER COPPER FLASH.  
 BACK SHIELD -- 50u"/1,27um MIN, BRIGHT TIN OVER  
 50u"/1,27um MIN, NICKEL OVERALL.  
  
 .075"/1,91mm CONTACTS -- SELECT GOLD FLASH AND  
 100u"/2,50um MIN, SELECT TIN  
 OVER 50u"/1,27um MIN, NICKEL OVERALL.  
 .100"/2,54mm CONTACTS -- SELECT GOLD FLASH AND  
 100u"/2,50um MIN, SELECT TIN,  
 OVER 50u"/1,27um MIN, NICKEL OVERALL.  
 MICROCROSS GROUND -- 30u"/0,75um MIN SELECT GOLD AND  
 100u"/2,50um MIN, SELECT TIN,  
 OVER 50u"/1,27um MIN, NICKEL OVERALL.

NEW RELEASE EC NO: SH2005-0035 DRWN:DXUE 2004/08/19 CHKD: 2004/08/20 APPR:YTYAP 2004/08/20	DESCRIPTION REV	QUALITY SYMBOLS	GENERAL TOLERANCES (UNLESS SPECIFIED)		SCALE 4:1	DESIGN UNITS METRIC	THIRD ANGLE PROJECTION	REVISE ON CAD ONLY	
		▽-0 □-0		mm	INCH	DIMENSION STYLE MM ONLY		TITLE	
			4 PLACES	± ---	± ---	DRAWN BY DXUE		DATE 2004/8/5	DVI-I RIGHT ANGLE RECEPTACLE CONNECTOR WITH EMI SHIELDING MOLEX INCORPORATED
			3 PLACES	± ---	± ---	CHECKED BY		DATE	
DRAFT WHERE APPLICABLE			ANGULAR ± 3 °		APPROVED BY	DATE	MATERIAL NO. 743201304	DOCUMENT NO. SD-74320-050	SHEET NO. 2 OF 2
MUST REMAIN WITHIN DIMENSIONS			THIS DRAWING CONTAINS INFORMATION THAT IS PROPRIETARY TO MOLEX INCORPORATED AND SHOULD NOT BE USED WITHOUT WRITTEN PERMISSION						

11 10 9 8 7 6 5 4 3 2 1