

- Compact metal package
- Ultra wide 4:1 input voltage ranges  
9–36, 18–75, 43–160 VDC
- EN 50155 approval for railway applications
- Very high efficiency up to 93%
- No minimum load
- Soft start
- Adjustable output voltage +10/-20%
- Sense line
- Remote On/Off input
- Under voltage lock-out circuit



The TEP 100WIR Series is a family of isolated high performance DC/DC converter modules with ultra-wide 4:1 input voltage ranges which come in a rugged, sealed industry standard half brick package. A very high efficiency allows full power operation without forced air cooling at 60°C This temperature can be increased to 70°C with optional mounted heatsink or up to 85°C when mounted on an iron base plate. The very wide input voltage range make these converters interesting solution for battery operated systems. Typical applications are in telecom/datacom, industry control and railway systems for on board power distribution. These series is available in many optional designs on demand

Models				
Order Code	Input Voltage Range	Output Voltage nom. (adjustable)	Output Current max.	Efficiency typ.
TEP 100-2411WIR	9 - 36 VDC (24 VDC nom.)	5 VDC (4.0 - 5.5 VDC)	20'000 mA	93 %
TEP 100-2412WIR		12 VDC (9.6 - 13.2 VDC)	8'400 mA	90 %
TEP 100-2415WIR		24 VDC (19.2 - 26.4 VDC)	4'200 mA	90 %
TEP 100-2416WIR		28 VDC (22.4 - 30.8 VDC)	3'600 mA	90 %
TEP 100-2418WIR		48 VDC (38.4 - 52.8 VDC)	2'100 mA	90 %
TEP 100-4812WIR	18 - 75 VDC (48 VDC nom.)	12 VDC (9.6 - 13.2 VDC)	8'400 mA	90 %
TEP 100-4815WIR		24 VDC (19.2 - 26.4 VDC)	4'200 mA	90 %
TEP 100-4816WIR		28 VDC (22.4 - 30.8 VDC)	3'600 mA	92 %
TEP 100-4818WIR		48 VDC (38.4 - 52.8 VDC)	2'100 mA	91 %
TEP 100-7212WIR	43 - 160 VDC (110 VDC nom.)	12 VDC (9.6 - 13.2 VDC)	8'400 mA	90 %
TEP 100-7215WIR		24 VDC (19.2 - 26.4 VDC)	4'200 mA	90 %
TEP 100-7216WIR		28 VDC (22.4 - 30.8 VDC)	3'600 mA	90 %
TEP 100-7218WIR		48 VDC (38.4 - 52.8 VDC)	2'100 mA	91 %

### Options

<b>TEP-HS1</b>	- Optional Heat Sink: <a href="http://www.tracopower.com/products/tep-hs1.pdf">www.tracopower.com/products/tep-hs1.pdf</a>
<b>on demand</b> (backorder with MOQ non stocking item)	<ul style="list-style-type: none"> <li>- Optional model with 3.3 VDC / 25'000 mA Output and 9 - 36 VDC Input</li> <li>- Optional model with 15 VDC / 6'700 mA Output and 9 - 36 VDC Input</li> <li>- Optional model with 3.3 VDC / 25'000 mA Output and 18 - 75 VDC Input</li> <li>- Optional model with 5 VDC / 20'000 mA Output and 18 - 75 VDC Input</li> <li>- Optional model with 15 VDC / 6'700 mA Output and 18 - 75 VDC Input</li> <li>- Optional model with 3.3 VDC / 25'000 mA Output and 43 - 160 VDC Input</li> <li>- Optional model with 5 VDC / 20'000 mA Output and 43 - 160 VDC Input</li> <li>- Optional model with 15 VDC / 6'700 mA Output and 43 - 160 VDC Input</li> <li>- Optional models with inverse Remote On/Off function (passive = off)</li> <li>- Chassis mount models w/o filter: <a href="http://www.tracopower.com/products/tep100wircmf.pdf">www.tracopower.com/products/tep100wircmf.pdf</a></li> <li>- Chassis mount models w/ filter to meet EN 55032 class A: <a href="http://www.tracopower.com/products/tep100wircmf.pdf">www.tracopower.com/products/tep100wircmf.pdf</a></li> </ul>

### Input Specifications

Input Current	- At no load	110 Vin models: <b>10 mA typ.</b> 24 Vin models: <b>20 mA typ.</b> (3.3 Vout model) <b>25 mA typ.</b> (5 Vout model) <b>25 mA typ.</b> (12 Vout model) <b>25 mA typ.</b> (15 Vout model) <b>25 mA typ.</b> (24 Vout model) <b>25 mA typ.</b> (28 Vout model) <b>35 mA typ.</b> (48 Vout model) 48 Vin models: <b>15 mA typ.</b> (3.3 Vout model) <b>15 mA typ.</b> (5 Vout model) <b>20 mA typ.</b> (12 Vout model) <b>20 mA typ.</b> (15 Vout model) <b>20 mA typ.</b> (24 Vout model) <b>20 mA typ.</b> (28 Vout model) <b>25 mA typ.</b> (48 Vout model)
Surge Voltage		24 Vin models: <b>50 VDC max.</b> (1 s max.) 48 Vin models: <b>100 VDC max.</b> (1 s max.) 110 Vin models: <b>185 VDC max.</b> (1 s max.)
Under Voltage Lockout		24 Vin models: <b>7.3 VDC min. / 7.5 VDC typ. / 8.1 VDC max.</b> 48 Vin models: <b>15.5 VDC min. / 16 VDC typ. / 16.3 VDC max.</b> 110 Vin models: <b>33 VDC min. / 34.5 VDC typ. / 36 VDC max.</b>
Recommended Input Fuse		24 Vin models: <b>20'000 mA</b> (fast acting) 48 Vin models: <b>12'000 mA</b> (fast acting) 110 Vin models: <b>5'000 mA</b> (slow blow) (The need of an external fuse has to be assessed in the final application.)
Input Filter		<b>Internal Pi-Type</b>

### Output Specifications

Output Voltage Adjustment		<b>-20% to +10%</b> (By external trim resistor) See application note: <a href="http://www.tracopower.com/overview/tep100wir">www.tracopower.com/overview/tep100wir</a> Output power must not exceed rated power!
Voltage Set Accuracy		<b>±1% max.</b>
Regulation	- Input Variation (Vmin - Vmax) - Load Variation (0 - 100%)	<b>0.1% max.</b> <b>0.1% max.</b>

All specifications valid at nominal voltage, resistive full load and +25°C after warm-up time, unless otherwise stated.

Ripple and Noise (20 MHz Bandwidth)	3.3 Vout models: <b>75 mVp-p max.</b> (w/ 1 $\mu$ F X7R // 22 $\mu$ F poscap) 5 Vout models: <b>75 mVp-p max.</b> (w/ 1 $\mu$ F X7R // 22 $\mu$ F poscap) 12 Vout models: <b>100 mVp-p max.</b> (w/ 1 $\mu$ F X7R // 22 $\mu$ F poscap) 15 Vout models: <b>100 mVp-p max.</b> (w/ 1 $\mu$ F X7R // 22 $\mu$ F poscap) 24 Vout models: <b>200 mVp-p max.</b> (w/ 4.7 $\mu$ F X7R) 28 Vout models: <b>200 mVp-p max.</b> (w/ 4.7 $\mu$ F X7R) 48 Vout models: <b>300 mVp-p max.</b> (w/ 2.2 $\mu$ F X7R)
Capacitive Load	3.3 Vout models: <b>75'700 <math>\mu</math>F max.</b> 5 Vout models: <b>40'000 <math>\mu</math>F max.</b> 12 Vout models: <b>7'000 <math>\mu</math>F max.</b> 15 Vout models: <b>4'460 <math>\mu</math>F max.</b> 24 Vout models: <b>1'750 <math>\mu</math>F max.</b> 28 Vout models: <b>1'280 <math>\mu</math>F max.</b> 48 Vout models: <b>430 <math>\mu</math>F max.</b>
Minimum Load	Not required
Temperature Coefficient	$\pm 0.02$ %/K max.
Start-up Time	75 ms typ.
Short Circuit Protection	Continuous, Automatic recovery
Output Current Limitation	150% typ. of Iout max. (110 Vin models) 120 - 150% (other models)
Oversoltage Protection	115 - 130% of Vout nom.
Transient Response - Response Time	200 $\mu$ s typ. / 250 $\mu$ s max. (25% Load Step)

### Safety Specifications

Safety Standards	- IT / Multimedia Equipment	EN 60950-1 EN 62368-1 IEC 60950-1 IEC 62368-1 UL 60950-1 UL 62368-1
	- Railway Applications	EN 50155
	- Certification Documents	<a href="http://www.tracopower.com/overview/tep100wir">www.tracopower.com/overview/tep100wir</a>

### EMC Specifications

EMI Emissions	- Conducted Emissions	EN 55011 class B (with external filter) EN 55032 class B (with external filter)
	- Radiated Emissions	EN 55011 class B (with external filter) EN 55032 class B (with external filter)
		External filter proposal: <a href="http://www.tracopower.com/overview/tep100wir">www.tracopower.com/overview/tep100wir</a>
EMS Immunity	- Electrostatic Discharge	EN 50155 (Railway Applications) EN 55024 (IT Equipment) Air: EN 61000-4-2, $\pm 8$ kV, perf. criteria A Contact: EN 61000-4-2, $\pm 6$ kV, perf. criteria A
	- RF Electromagnetic Field	EN 61000-4-3, 20 V/m, perf. criteria A
	- EFT (Burst) / Surge	EN 61000-4-4, $\pm 2$ kV, perf. criteria A EN 61000-4-5, $\pm 2$ kV, perf. criteria A
		Ext. input component: 24 Vin models: 2 x KY 220 $\mu$ F 48 Vin models: 2 x KY 220 $\mu$ F 110 Vin models: 2 x KXJ 150 $\mu$ F
	- Conducted RF Disturbances	EN 61000-4-6, 10 Vrms, perf. criteria A
	- PF Magnetic Field	Continuous: EN 61000-4-8, 100 A/m, perf. criteria A 1 s: EN 61000-4-8, 1000 A/m, perf. criteria A

### General Specifications

Relative Humidity	95% max. (non condensing)
-------------------	---------------------------

All specifications valid at nominal voltage, resistive full load and +25°C after warm-up time, unless otherwise stated.

Temperature Ranges	- Operating Temperature - Case Temperature - Storage Temperature	-40°C to +75°C +105°C max. -55°C to +125°C
Power Derating	- High Temperature	Depending on model Depending on model (with Heat Sink) See application note: <a href="http://www.tracopower.com/overview/tep100wir">www.tracopower.com/overview/tep100wir</a>
Over Temperature Protection Switch Off	- Protection Mode - Measurement Point	115°C typ. (Automatic recovery at 105°C typ.) Base-Plate
Cooling System		Natural convection (20 LFM)
Sense Function		10% max. of Vout nom.
Remote Control	- Voltage Controlled Remote  - Off Idle Input Current - Remote Pin Input Current	On: 3.0 to 12 VDC or open circuit Off: 0 to 1.2 VDC or short circuit Refers to 'Remote' and '-Vin' Pin 3 mA typ. -0.5 to 1.0 mA (Optional models with inverse logic available)
Altitude During Operation		2'000 m max. (for reinforced insulation) 5'000 m max. (for functional insulation)
Switching Frequency		300 kHz typ. (PWM) (±10%, 110 Vin models) 250 kHz typ. (PWM) (±10%, other models)
Insulation System		Reinforced Insulation
Working Voltage (rated)		177 VAC (110 Vin models) 145 VAC (24 and 48 Vin, 3.3 and 5 Vout models) 185 VAC (24 and 48 Vin, 48 Vout models) 172 VAC (24 and 48 Vin, other output models)
Isolation Test Voltage	- Input to Output, 60 s - Input to Case, 60 s - Output to Case, 60 s	3'000 VAC 1'500 VAC 1'500 VAC
Isolation Resistance	- Input to Output, 500 VDC	1'000 MΩ min.
Isolation Capacitance	- Input to Output, 100 kHz, 1 V	2'500 pF max.
Reliability	- Calculated MTBF	409'000 h (MIL-HDBK-217F, ground benign)
Washing Process		Allowed (hermetical product) See Cleaning Guideline: <a href="http://www.tracopower.com/info/cleaning.pdf">www.tracopower.com/info/cleaning.pdf</a>
Environment	- Vibration  - Mechanical Shock  - Thermal Shock	MIL-STD-810F EN 61373 MIL-STD-810F EN 61373 MIL-STD-810F EN 50155
Housing Material		Alu base-plate w. metal case (24 and 48 Vin models) Alu base-plate w. plastic case (110 Vin models)
Base Material		Non-conductive FR4 (UL 94 V-0 rated) (24 and 48 Vin models only)
Potting Material		Silicone (UL 94 V-0 rated)
Pin Material		Copper
Pin Foundation Plating		Nickel (2 - 3 μm)
Pin Surface Plating		Tin (3 - 5 μm), matte
Housing Type		Metal Case (24 and 48 Vin models) Plastic Case (110 Vin models)
Mounting Type		PCB Mount
Connection Type		THD (Through-Hole Device)
Footprint Type		Half-Brick
Weight		105 g
Thermal Impedance	- Case to Ambient	6.7 K/W typ. 4.7 K/W typ. (with Heat Sink)

All specifications valid at nominal voltage, resistive full load and +25°C after warm-up time, unless otherwise stated.

Environmental Compliance - REACH Declaration

[www.tracopower.com/info/reach-declaration.pdf](http://www.tracopower.com/info/reach-declaration.pdf)

- RoHS Declaration

REACH SVHC list compliant

REACH Annex XVII compliant

[www.tracopower.com/info/rohs-declaration.pdf](http://www.tracopower.com/info/rohs-declaration.pdf)

Exemptions: 7a, 7c-I

(RoHS exemptions refer to the component concentration only, not to the overall concentration in the product (O5A rule).  
The SCIP number is provided on request.)

- Flammability (EN 45545-2)

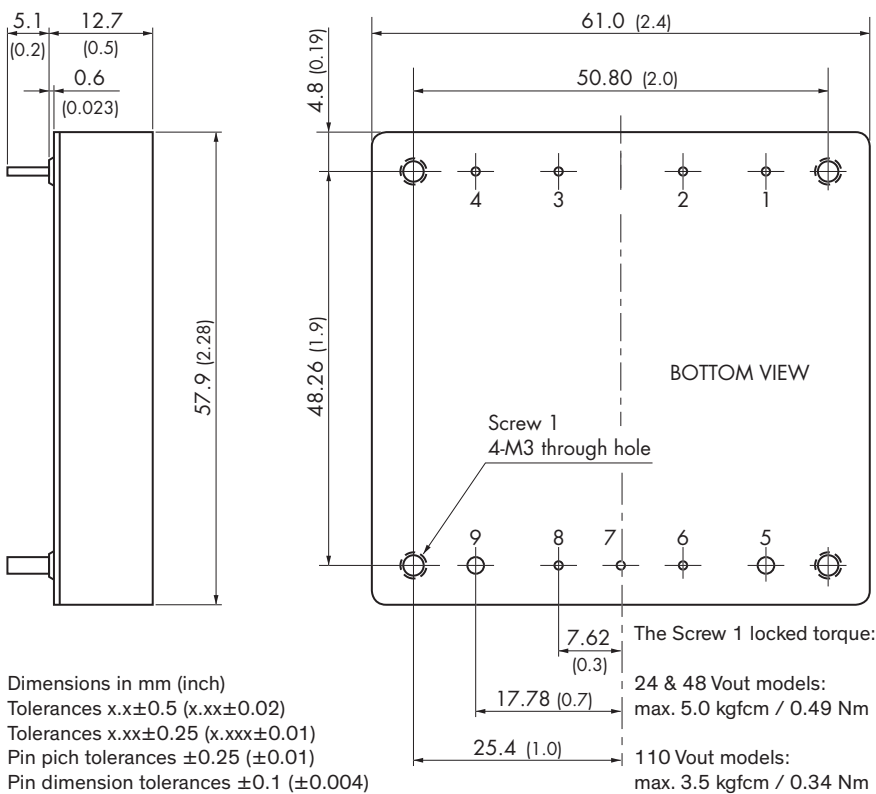
[www.tracopower.com/info/en45545-declaration.pdf](http://www.tracopower.com/info/en45545-declaration.pdf)

### Supporting Documents

Overview Link (for additional Documents)

[www.tracopower.com/overview/tep100wir](http://www.tracopower.com/overview/tep100wir)

### Outline Dimensions



### Pinout

Pin	Single	Pin Diameter
1	-Vin (GND)	1.0 mm (0.04 inch)
2	Case	1.0 mm (0.04 inch)
3	Remote On/Off	1.0 mm (0.04 inch)
4	+Vin (Vcc)	1.0 mm (0.04 inch)
5	-Vout	2.0 mm (0.08 inch)
6	-Sense	1.0 mm (0.04 inch)
7	Trim	1.0 mm (0.04 inch)
8	+Sense	1.0 mm (0.04 inch)
9	+Vout	2.0 mm (0.08 inch)