

# KSB & KSF Series Low-profile Tact Switch



## Features/Benefits

- Low profile
- Protected against flux
- KSB without top sealing
- KSF with top sealing

## Typical Applications

- Low profile keyboards
- Instrumentation
- Industrial control
- Medical
- Military

## Specification

CONTACT ARRANGEMENT: SPST, N.O.  
DOUBLE OVERMOLDING ON TERMINAL  
MEMBRANE SEALING  
TERMINALS: PC pins

## Mechanical

Type	Actuation force Newtons (grams)	Operating life (operations)	Travel to make
KSB0M110	1.6 (160)	100,000	0,15 ± 0,05
KSB0M410	3.0 (300)	500,000	0,15 ± 0,05
KSF0M210	1.3 (130)	1,000,000	0,25 ± 0,1/-0,0
KSF0M310	1.6 (160)	500,000	0,25 ± 0,1/-0,0
KSF0M410	3.0 (300)	100,000	0,3+0,1/-0,0
KSF0M510	5.0 (500)	100,000	0,3+0,1/-0,0
KSF0M910	3.0 (300)	500,000	0,3+0,1/-0,0

## Electrical

MAXIMUM POWER:	Silver 1 VA	Gold 0.2 VA
MAXIMUM VOLTAGE:	50 VDC	50 VDC
MINIMUM VOLTAGE:	20 mV	20 mV
MAXIMUM CURRENT:	50 mA	10 mA
MINIMUM CURRENT:	1 mA	1 mA

DIELECTRIC STRENGTH (50 Hz, 1 min.): 300 Vrms  
CONTACT RESISTANCE: KSF 50 mΩ; KSB 100 mΩ  
INSULATION RESISTANCE (100 V): ≤ 10<sup>11</sup> Ω  
BOUNCE TIME: 1 ms

## Environmental

OPERATING TEMPERATURE:	Silver -40°C to 90°C	Gold -40°C to 125°C
STORAGE TEMPERATURE:	-40°C to 85°C	-55°C to 125°C

## Process

Wave soldering EIA-RS448-2

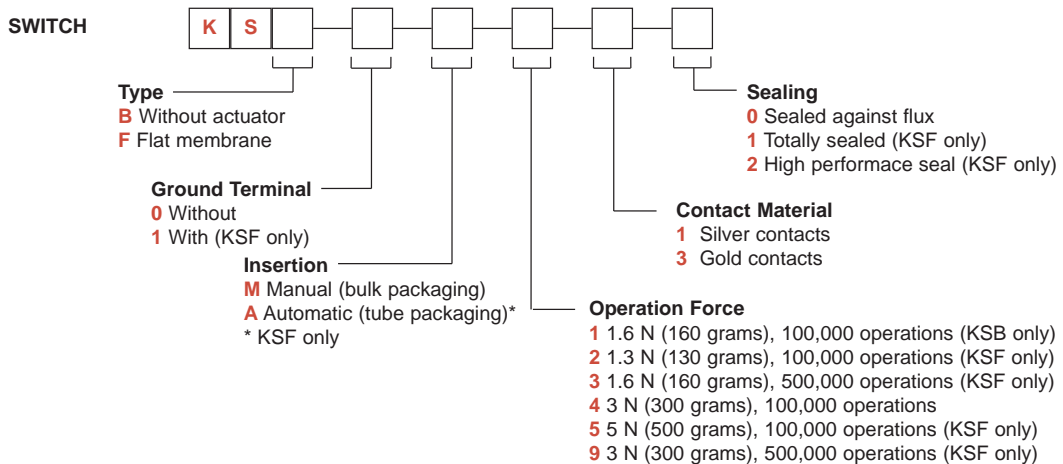
## Packaging

KSF delivered in tubes of 65 pieces for automatic insertion. KSB in boxes of 500 pieces for manual insertion.

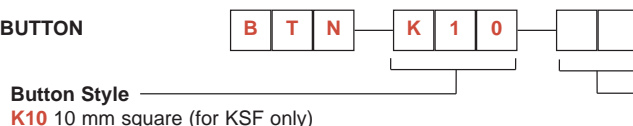
**NOTE:** Part numbers listed above do not represent all possible configurations. For information on specific and custom switches, consult Customer Service Center.

## How To Order

Our easy build-a-switch concept allows you to mix and match options to create the switch you need. To order, select desired option from each category and place it in the appropriate box.



## BUTTON



Button must be ordered separately and will be supplied in bulk.

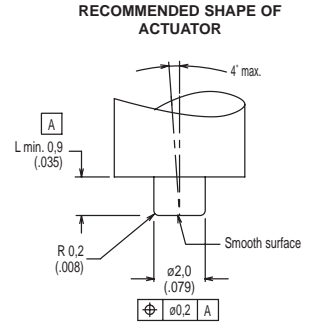
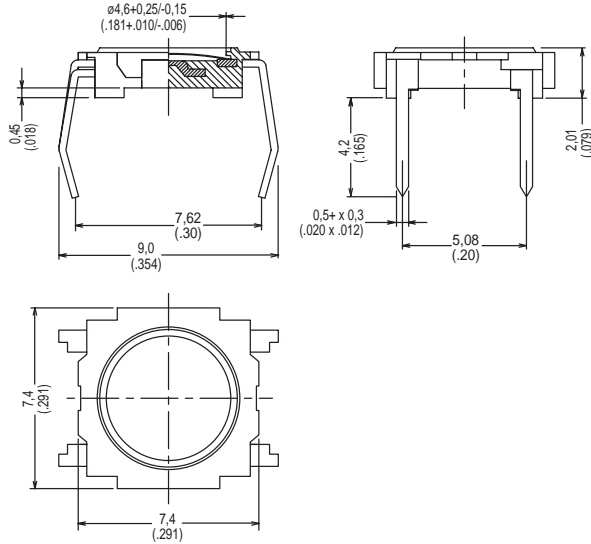
# KSB & KSF Series Low-profile Tact Switch

TYPE

## KSB



KSB0M110



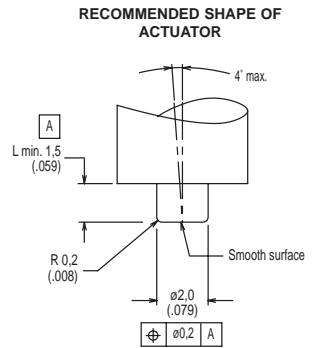
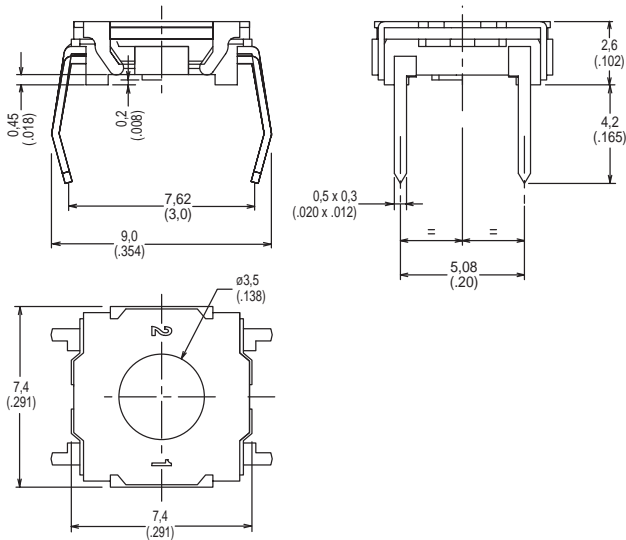
Tactile Switches

B

## KSF



KSF0M111



GROUND TERMINAL

0 WITHOUT

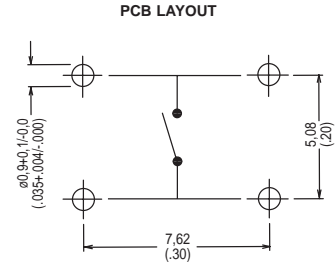
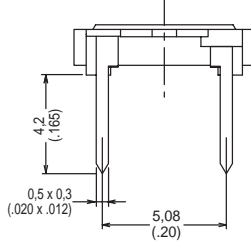
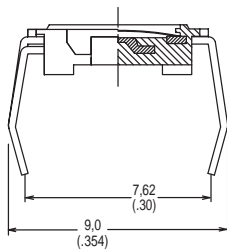
1 WITH (KSF only)

# KSB & KSF Series Low-profile Tact Switch

## INSERTION

**M** MANUAL (bulk packaging)

**A** AUTOMATIC (KSF ONLY) (Tube packaging, 65 per tube)



## OPERATING FORCE

OPTION CODE	OPERATING FORCE
<b>1</b>	1.6 N (160 grams) 100,000 operations (KSB only)
<b>2</b>	1.3 N (130 grams) 100,000 operations (KSF only)
<b>3</b>	1.6 N (160 grams) 500,000 operations (KSF only)
<b>4</b>	3 N (300 grams) 100,000 operations
<b>5</b>	1.6 N (160 grams) 500,000 operations (KSF only)
<b>9</b>	3 N (300 grams) 500,000 operations (KSF only)

## CONTACT MATERIAL

OPTION CODE	CONTACT MATERIAL
<b>1</b>	Silver contacts
<b>3</b>	Gold contacts

## SEALING

OPTION CODE	SEALING
<b>0</b>	Sealed against flux
<b>1</b>	Totally sealed (KSF only)
<b>2</b>	High performance seal (KSF only)



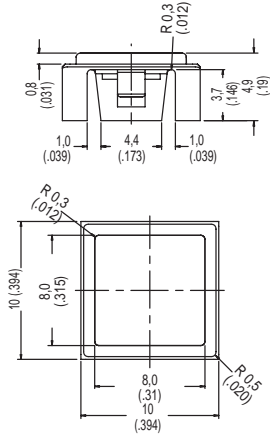
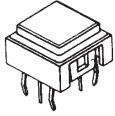
Dimensions are shown: mm (inch)  
Dimensions subject to change

# KSB & KSF Series Low-profile Tact Switch

## BUTTON

**K10** button for KSF ONLY

Button must be ordered separately and will be supplied in bulk.



Tactile Switches

B