

# Customer Information Sheet

DRAWING No.: M80-665XXXX

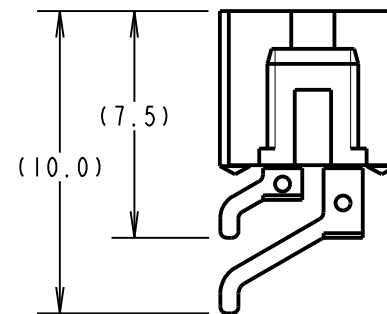
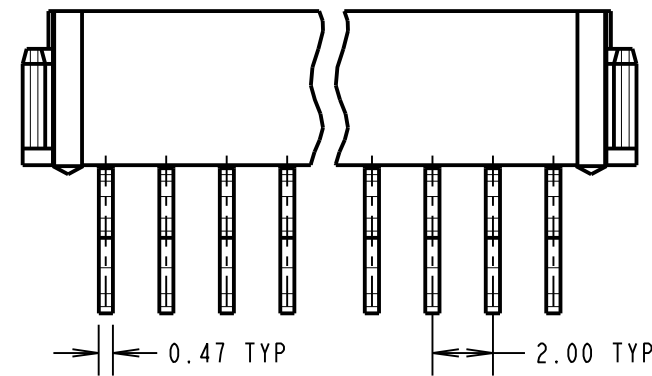
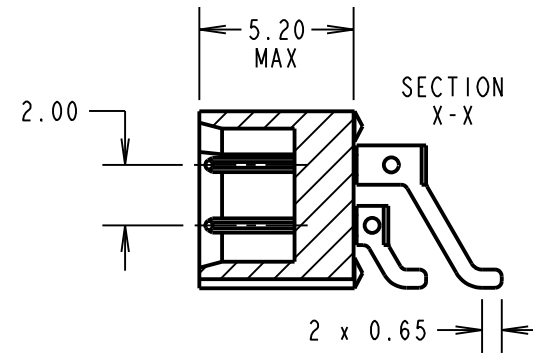
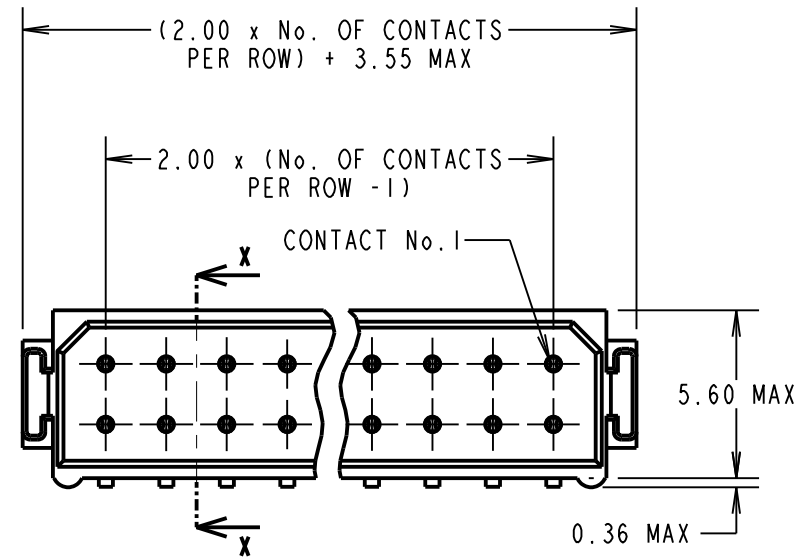
IF IN DOUBT - ASK

©

NOT TO SCALE

THIRD ANGLE PROJECTION

ALL DIMENSIONS IN mm



**SPECIFICATIONS:**

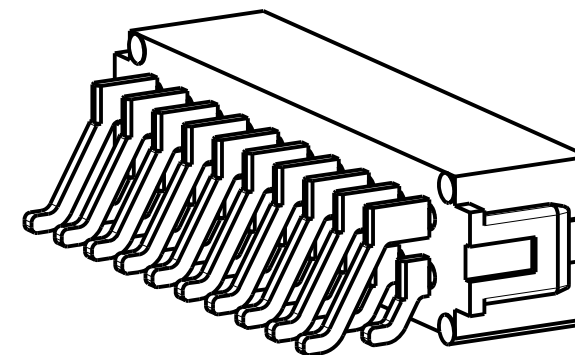
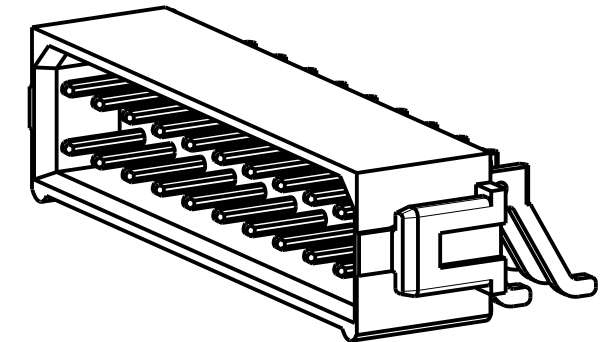
**MATERIAL:**  
 MOULDING = GLASS-FILLED PPS, UL94V-0, BLACK  
 CONTACT = BRASS

**FINISH:**  
**CONTACT:**  
 22 = 0.75µm GOLD ON CONTACT AREA,  
 3µm 90/10 TIN/LEAD ON TAILS  
 42 = 0.75µm GOLD ON CONTACT AREA,  
 3µm 100% TIN ON TAILS  
 45 = 0.75µm GOLD OVER NICKEL

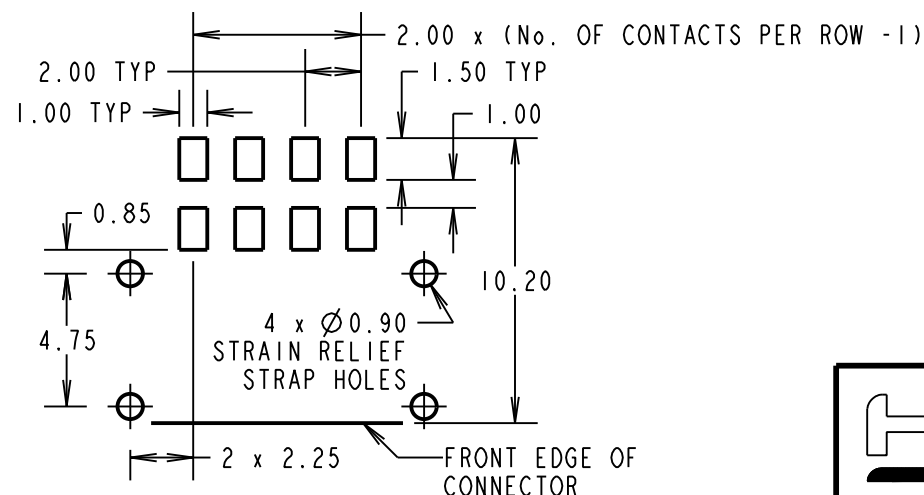
**ELECTRICAL:**  
 CURRENT RATING AT 25°C = 3.0A MAX  
 CURRENT RATING AT 85°C = 2.2A MAX  
 WORKING VOLTAGE = 800V AC/DC  
 VOLTAGE PROOF = 1200V AC/DC  
 CONTACT RESISTANCE = 25mΩ MAX  
 INSULATION RESISTANCE = 100MΩ MIN

**MECHANICAL:**  
 DURABILITY = 500 OPERATIONS  
**ENVIRONMENTAL:**  
 TEMPERATURE RANGE = -55°C TO +125°C

**PACKING:**  
 TUBE, 8 TO 34 CONTACTS  
 TRAY, 4 AND 6 CONTACTS  
 BAG, 2-OFF M80-0030006 STRAIN RELIEF STRAPS  
 INCLUDED FOR EACH CONNECTOR  
 FOR COMPLETE SPECIFICATION, SEE COMPONENT  
 SPECIFICATION C005XX (LATEST ISSUE)



**RECOMMENDED PCB LAYOUT**  
 TOLERANCE ±0.05mm



**ORDER CODE:**  
**M80-665XXXX**  
 No. OF CONTACTS ———  
 04, 06, 08, 10, 12, 14,  
 16, 18, 20, 26, 34  
**FINISH** ———  
 22 - GOLD, 90/10 TIN/LEAD  
 42 - GOLD, 100% TIN  
 45 - ALL OVER GOLD

MGP	8	20.07.21	30677
NAME	ISS.	DATE	CN/CO
APPROVED: MGP			
CHECKED: MR			
DRAWN: W. J. BOURNE			
CUSTOMER REF.:			
ASSEMBLY DRG:			

 www.harwin.com technical@harwin.com	THIS DRAWING AND ANY INFORMATION OR DESCRIPTIVE MATTER SET OUT HEREON ARE CONFIDENTIAL AND COPYRIGHT PROPERTY OF THE HARWIN GROUP AND MUST NOT BE DISCLOSED, LOANED, COPIED OR USED FOR MANUFACTURING, TENDERING OR FOR ANY OTHER PURPOSE WITHOUT THEIR WRITTEN PERMISSION.	<b>TOLERANCES</b> X. = ±1mm X.X = ±0.50mm X.XX = ±0.20mm X.XXX = ±0.01mm ANGLES = ±5° UNLESS STATED	<b>MATERIAL:</b> SEE ABOVE	<b>TITLE:</b> DATAMATE L-TEK MALE DIL HORIZONTAL SMT ASSEMBLY (UNLATCHED)
			<b>FINISH:</b> SEE ABOVE	
			<b>S/AREA:</b> mm <sup>2</sup>	SHT 2 OF 2