

- 1
- 2
- 3
- 4
- 5
- 6
- 7
- 8
- 9
- 10
- 11
- 12
- 13**
- 14
- 15
- 16
- 17
- 18

**MATERIAL**

Die-cast zinc alloy.

**ROTATING PIN**

AISI 303 stainless steel.

**STANDARD EXECUTIONS**

Pass-through holes for countersunk head screws:

- **CMM-L-A**: hinge bodies with the same dimensions.
- **CMM-L-B**: hinge bodies with different dimensions.

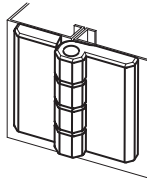
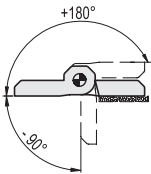
AISI 316 stainless steel threaded studs:

- **CMM-L-A-p**: hinge bodies with the same dimensions.
- **CMM-L-B-p**: hinge bodies with different dimensions.

**ROTATION ANGLE (APPROXIMATE VALUE)**

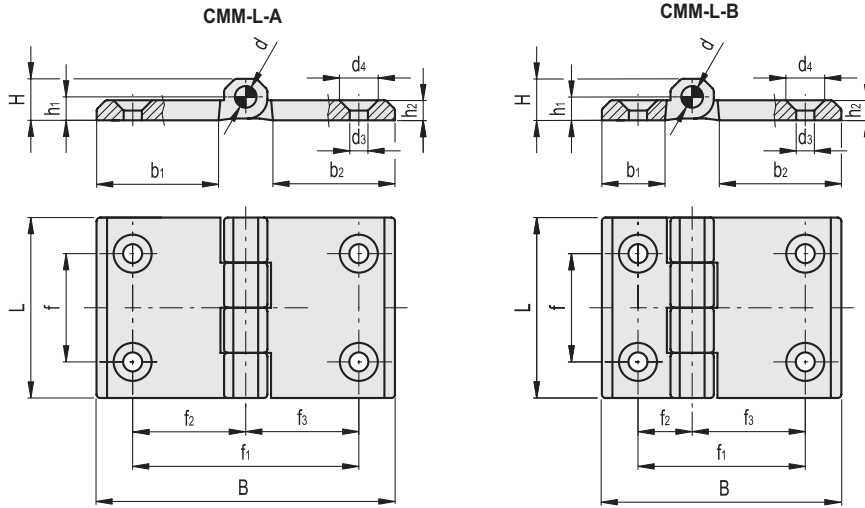
Max 270° (-90° and +180° being 0° the condition where the two interconnected surfaces are on the same plane).

Do not exceed the rotation angle limit so as not to prejudice the hinge mechanical performance.



Resistance tests	Axial Stress 	Radial Stress 	90° Angled Stress 
Description	Maximum working load Ea [N]	Maximum working load Er [N]	Maximum working load E90 [N]
CMM-L-A.50-76-SH-6	1300	3000	1250
CMM-L-A.60-120-SH-8	1300	4500	1500
CMM-L-B.50-63-SH-6	1500	3000	1250
CMM-L-B.60-90-SH-8	1500	4500	1500
CMM-L-A.50-76-p-M6x12	1200	3000	2000
CMM-L-A.60-120-p-M8x14	1500	4500	1500
CMM-L-B.50-63-p-M6x12	1500	3000	2000
CMM-L-B.60-90-p-M8x14	2000	4500	1500

Hinges and accessories



Conversion Table 1 mm = 0.039 inch	
L	
mm	inch
50	1.97
60	2.36

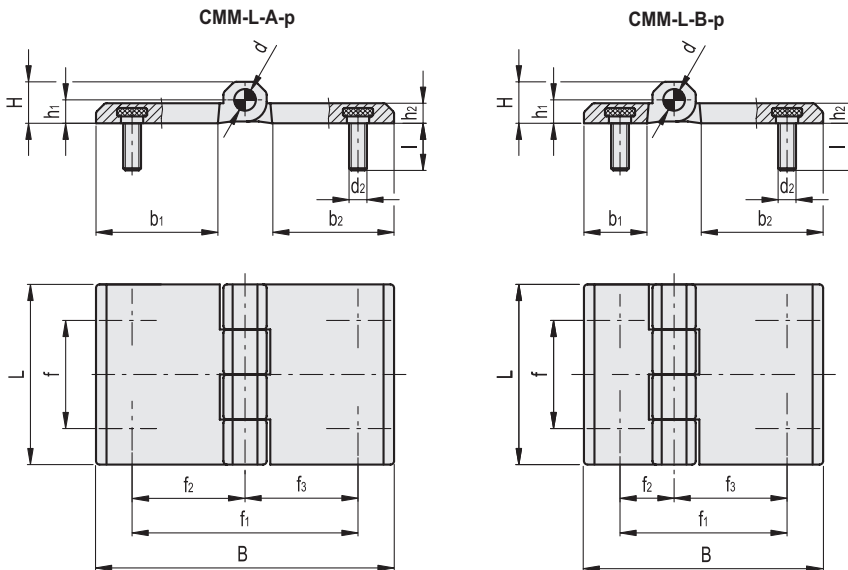
**CMM-L-A**

**METRIC**

Code	Description	L	B	d3	d4	f	f1	f2	f3	H	h1	h2	b1	b2	d	△
428613	CMM-L-A.50-76-SH-6	50	76	6.4	12.5	30	56	28	28	11.5	6.5	6	34	34	6	122
428713	CMM-L-A.60-120-SH-8	60	120	8.3	16.5	36	90	45	45	15	8.5	8	56	56	8	313

**CMM-L-B**

Code	Description	L	B	d3	d4	f	f1	f2	f3	H	h1	h2	b1	b2	d	△
428612	CMM-L-B.50-63-SH-6	50	63	6.4	12.5	30	43	15	28	11.5	6.5	6	21	28	6	105
428712	CMM-L-B.60-90-SH-8	60	90	8.3	16.5	36	63	18	45	15	8.5	8	26	56	8	230



Conversion Table 1 mm = 0.039 inch	
L	
mm	inch
50	1.97
60	2.36

**CMM-L-A-p**

**METRIC**

Code	Description	L	B	d2	l	f	f1	f2	f3	H	h1	h2	b1	b2	d	△
428623	CMM-L-A.50-76-p-M6x12	50	76	M6	12	30	56	28	28	11.5	6.5	6	34	34	6	189
428723	CMM-L-A.60-120-p-M8x14	60	120	M8	14	36	90	45	45	15	8.5	8	56	56	8	365

**CMM-L-B-p**

Code	Description	L	B	d2	l	f	f1	f2	f3	H	h1	h2	b1	b2	d	△
428622	CMM-L-B.50-63-p-M6x12	50	63	M6	12	30	43	15	28	11.5	6.5	6	21	34	6	120
428722	CMM-L-B.60-90-p-M8x14	60	90	M8	14	36	63	18	45	15	8.5	8	26	56	8	275

- 1
- 2
- 3
- 4
- 5
- 6
- 7
- 8
- 9
- 10
- 11
- 12
- 13
- 14
- 15
- 16
- 17
- 18