



Technical Data Sheet



Omega Split Core Current Transformer Series

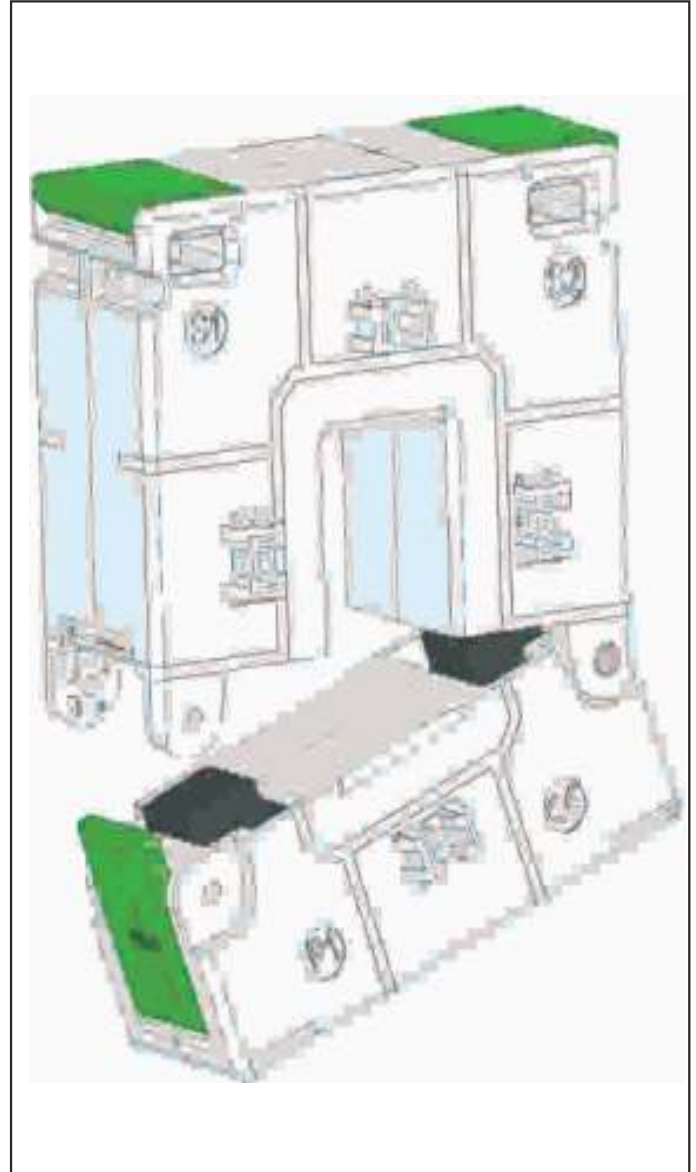
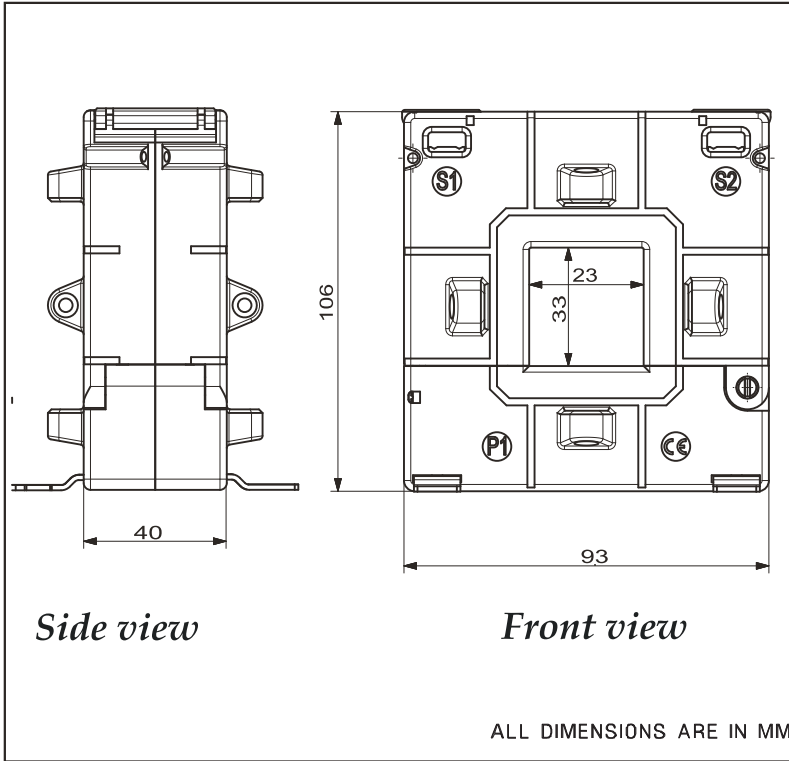


Omega 10 Series is a range of split core current transformers that offers a cost effective and efficient method by which the current can be measured without the need to break the conductor, thereby reducing installation and commissioning time.

Omega Split Core Current Transformer Series

Omega 10A 93/30 SC (40)

Omega 10A

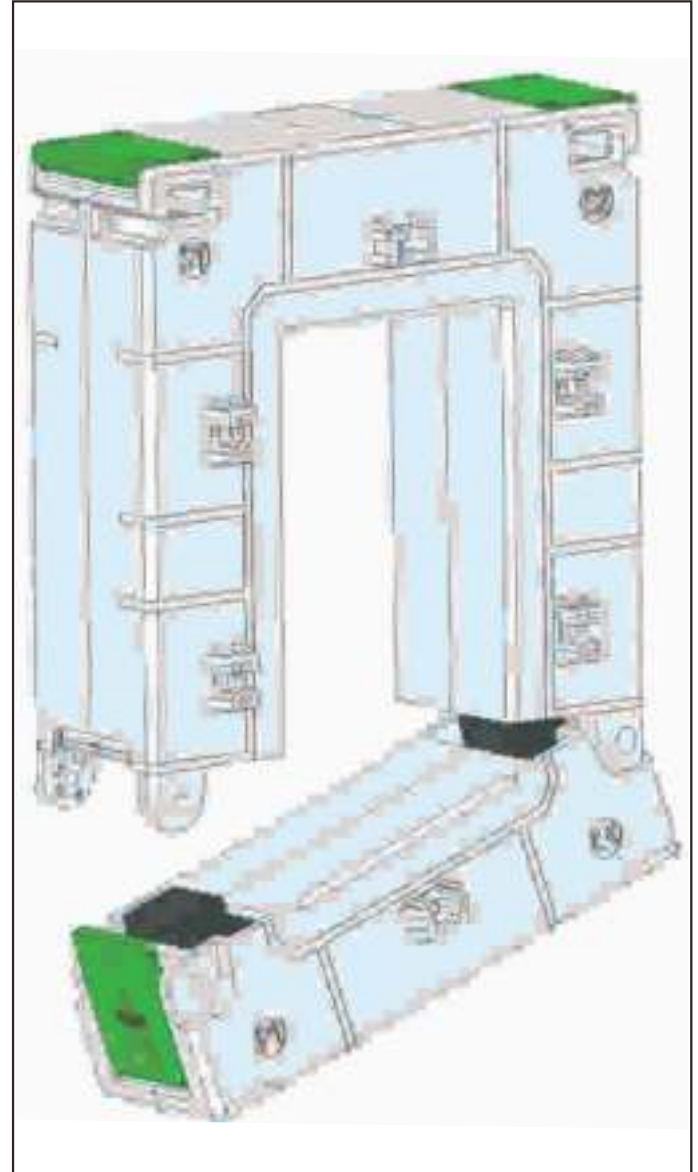
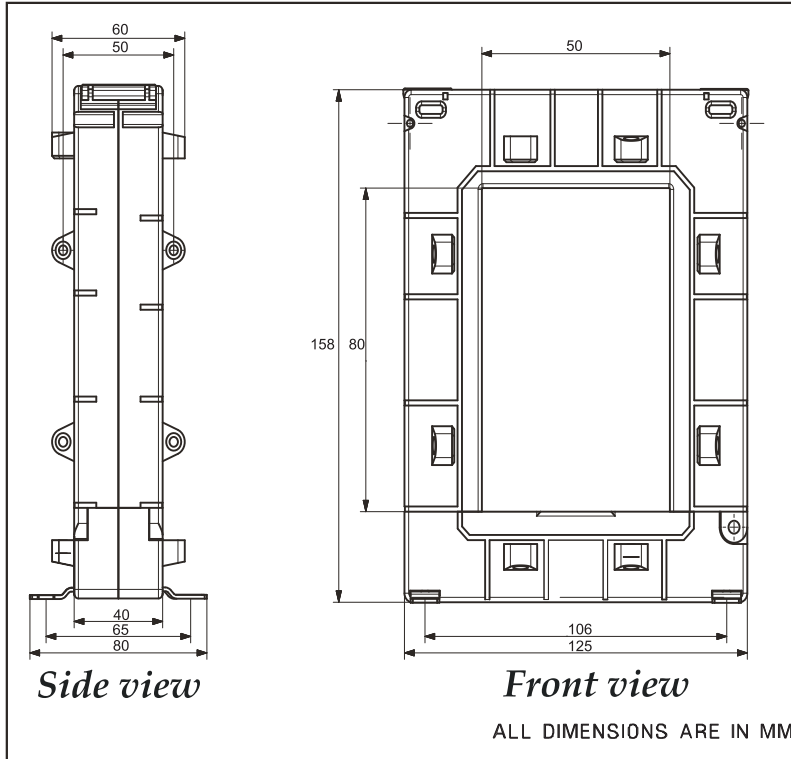


Primary Current	VA			OD/ID (Axial)
	Class 0.5	Class 1	Class 3	
100	-	1.5VA	3.5VA	93 / 30 (40)
150	-	1.75VA	3.75VA	93 / 30 (40)
200	-	2.5VA	5VA	93 / 30 (40)
250	-	3.75VA	6.25VA	93 / 30 (40)
300	2.5VA	5VA	6.25VA	93 / 30 (40)
400	3.75VA	6.25VA	10VA	93 / 30 (40)

Omega Split Core Current Transformer Series

Omega 10B 125/50 SC (40)

Omega 10B

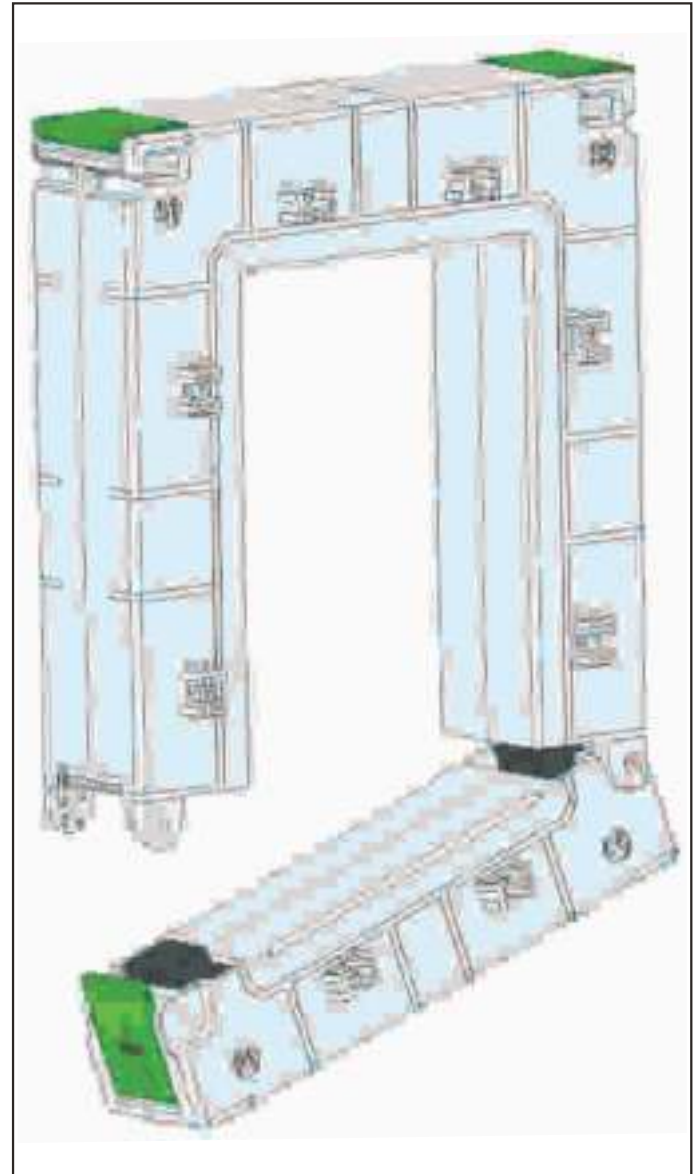
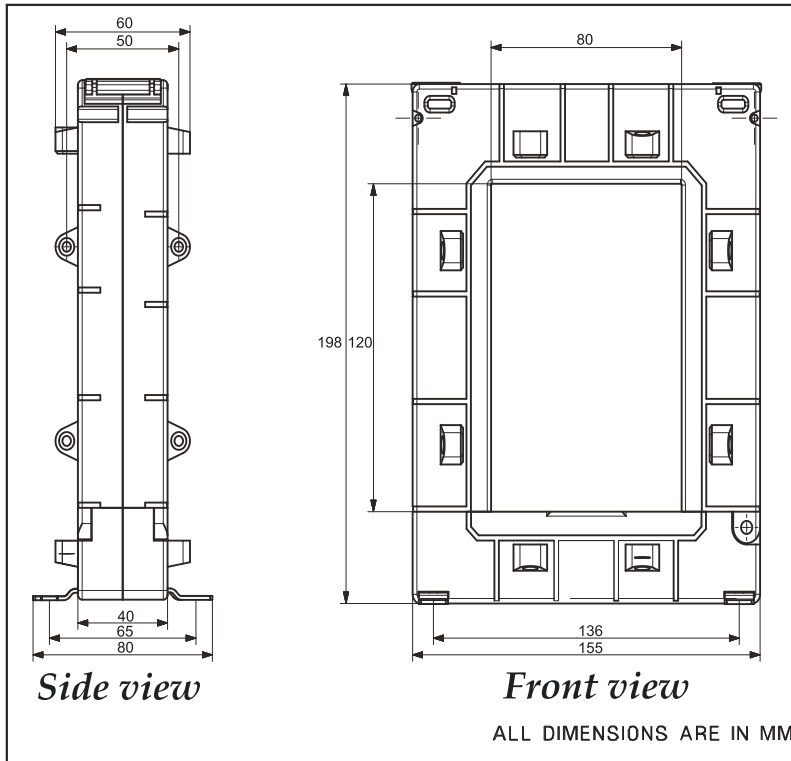


Primary Current	VA		OD/ID (Axial)
	Class 0.5	Class 1	
250	1VA	2.5VA	125 / 50 (40)
300	2.5VA	3.75VA	125 / 50 (40)
400	2.5VA	3.75VA	125 / 50 (40)
500	3.75VA	5VA	125 / 50 (40)
600	5VA	7.5VA	125 / 50 (40)
750	7.5VA	10VA	125 / 50 (40)
800	7.5VA	10VA	125 / 50 (40)
1000	10VA	15VA	125 / 50 (40)
1200	10VA	15VA	125 / 50 (40)
1250	10VA	15VA	125 / 50 (40)
1500	10VA	15VA	125 / 50 (40)
1600	10VA	15VA	125 / 50 (40)

Omega Split Core Current Transformer Series

Omega 10C 155/80 SC (40)

Omega 10C

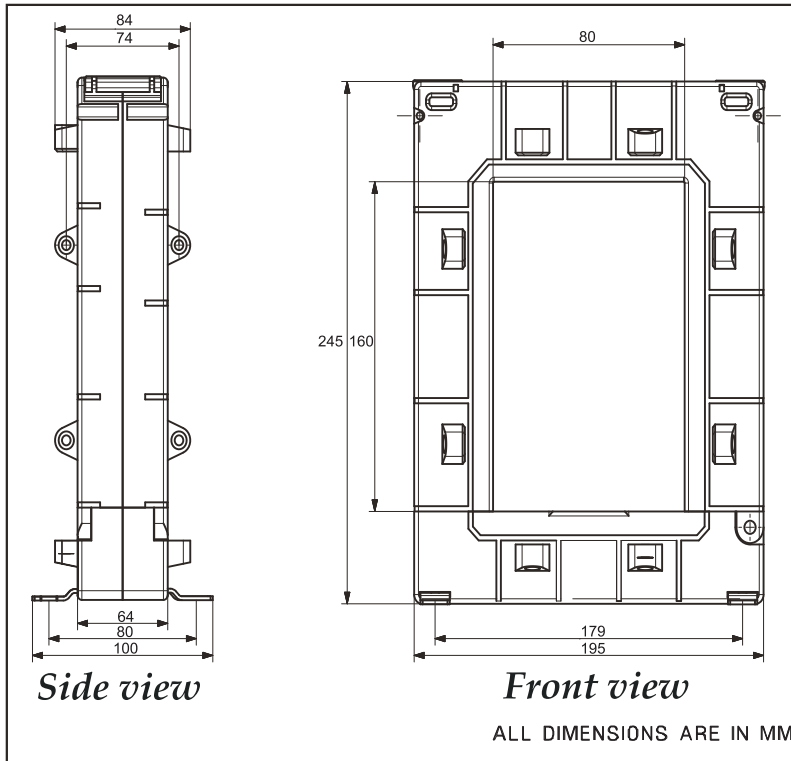


Primary Current	VA		OD/ID (Axial)
	Class 0.5	Class 1	
250	1VA	2.5VA	155 / 80 (40)
300	2.5VA	3.75VA	155 / 80 (40)
400	2.5VA	3.75VA	155 / 80 (40)
500	3.75VA	5VA	155 / 80 (40)
600	5VA	7.5VA	155 / 80 (40)
750	7.5VA	10VA	155 / 80 (40)
800	7.5VA	10VA	155 / 80 (40)
1000	10VA	15VA	155 / 80 (40)
1200	15VA	30VA	155 / 80 (40)
1250	15VA	30VA	155 / 80 (40)
1500	20VA	45VA	155 / 80 (40)
1600	20VA	45VA	155 / 80 (40)
2000	20VA	45VA	155 / 80 (40)
2500	25VA	45VA	155 / 80 (40)
3000	30VA	45VA	155 / 80 (40)

Omega Split Core Current Transformer Series

Omega 10D 195/80 SC (40)

Omega 10D

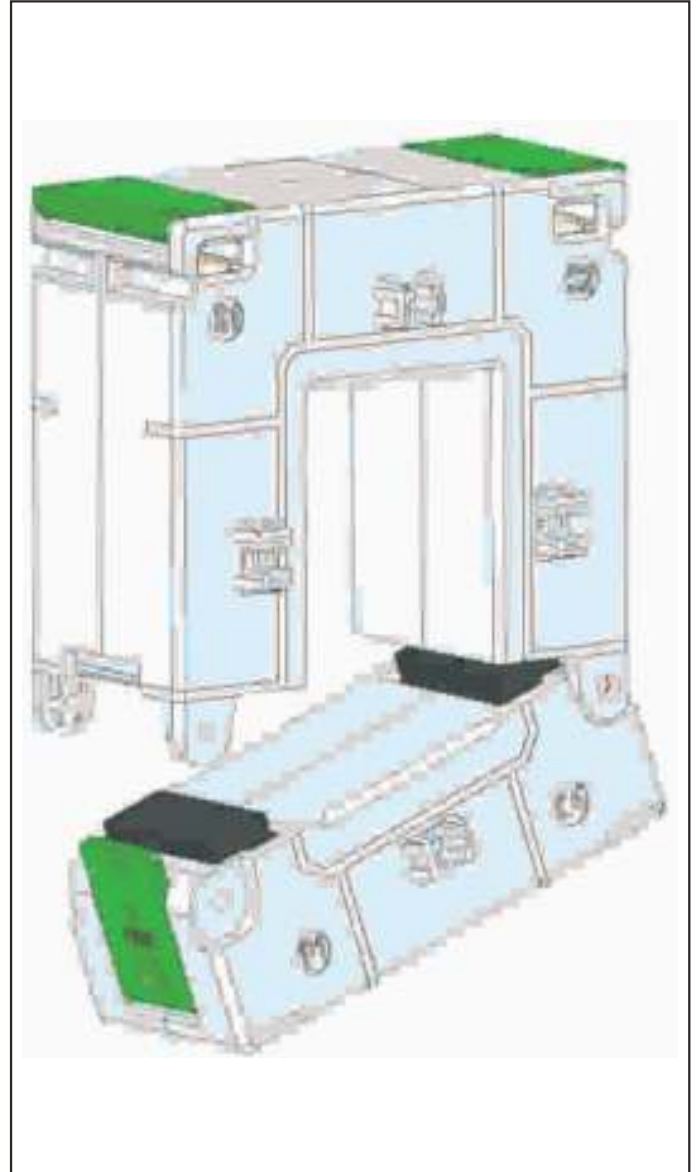
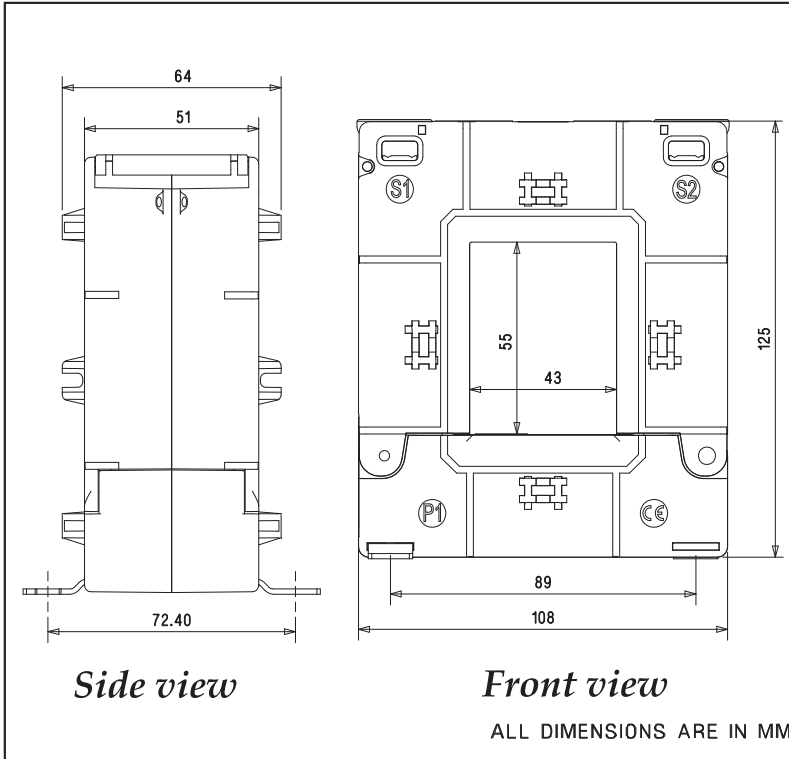


Primary Current	VA		OD/ID (Axial)
	Class 0.5	Class 1	
500	1.25VA	5VA	195 / 80 (64)
600	1.25VA	5VA	195 / 80 (64)
750	5VA	10VA	195 / 80 (64)
800	7.5VA	10VA	195 / 80 (64)
1000	10VA	20VA	195 / 80 (64)
1200	15VA	20VA	195 / 80 (64)
1250	15VA	20VA	195 / 80 (64)
1500	20VA	30VA	195 / 80 (64)
1600	20VA	30VA	195 / 80 (64)
2000	25VA	30VA	195 / 80 (64)
2500	25VA	30VA	195 / 80 (64)
3000	30VA	45VA	195 / 80 (64)
4000	30VA	45VA	195 / 80 (64)
5000	30VA	45VA	195 / 80 (64)

Omega Split Core Current Transformer Series

Omega 10E 105/50 SC (50)

Omega 10E



Primary Current	VA		OD/ID (Axial)
	Class 0.5	Class 1	
100	-	1.5VA	105 / 50 (50)
125	-	1.5VA	105 / 50 (50)
150	-	1.75VA	105 / 50 (50)
200	1.5VA	3.75VA	105 / 50 (50)
250	2.5VA	5VA	105 / 50 (50)
300	2.5VA	5VA	105 / 50 (50)
400	5VA	7.5VA	105 / 50 (50)
500	5VA	7.5VA	105 / 50 (50)
600	6.25VA	10VA	105 / 50 (50)
750	7.5VA	12.5VA	105 / 50 (50)
800	7.5VA	12.5VA	105 / 50 (50)

Omega Split Core Current Transformer Series

Specifications

- System voltage 720V (0.72kV) maximum
- Test voltage 3kV for 1 minute
- System frequency 50 or 60 Hz
- Insulation class E
- Overload withstand 1.2 times rated current continuously
- Short circuit thermal 100 x rated primary for 1 second
- Operating temperature 20°C to 70°C
- Relative humidity 0-90% (non condensing)
- Compliant with IEC 60044-1. Bs7626
- Accuracy Class 3, 1 & 0.5
- Rated dynamic current = 2.55 x I_{ht}
- Enclosure flame retardant grade classified UL 94V-O

Applications

- Switchgear
- Distribution system
- Generator sets
- Control panels
- Overload protection
- Control devices



sifam tinsley
PRECISION INSTRUMENTATION

Sifam Tinsley Instrumentation Inc.
3105, Creekside Village Drive,
Suite No. 801, Kennesaw,
Georgia 30144 (USA)
E-mail Id : psk@sifamtinsley.com
Web : www.sifamtinsley.com
Contact No. : +1 404 736 4903

Sifam Tinsley Instrumentation Ltd
Unit 1 Warner Drive,
Springwood Industrial Estate
Braintree, Essex, UK, CM72YW
E-mail: sales@sifamtinsley.com
Web: www.sifamtinsley.com/uk
Contact: +44(0)1803615139