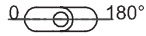


LEAF HINGE



Hinge Rotation Angle



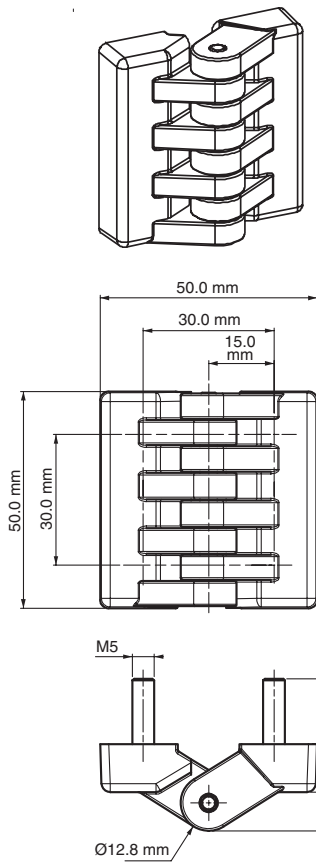
Specifications

- Material:
Body: Polyamide DIN-EN ISO 1043-1 PA6 GFR 30
Pin: Stainless Steel

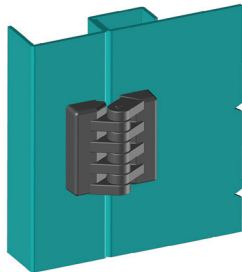
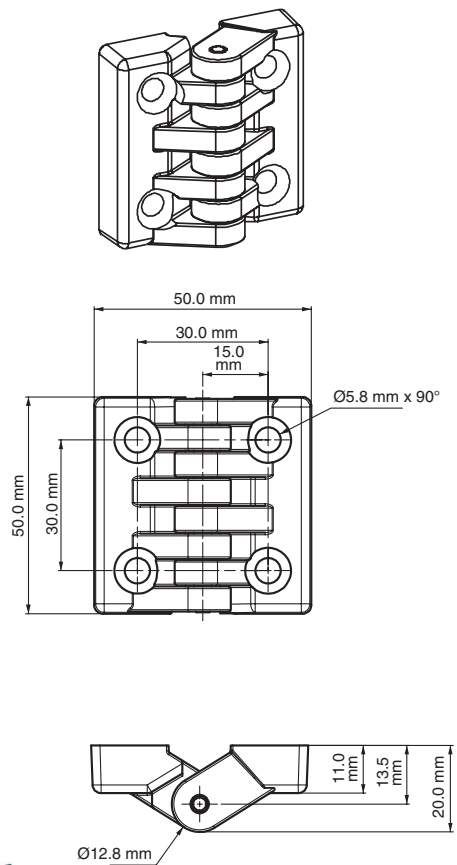
Features

- Generally used for plain / flush-mounted doors
- With or without bolt options available
- Stainless steel pin
- Applications: Electric panels, built-in covers

Version 1



Version 2



| Item Number | Hinge Rotation | Material | Finish | Version |
|-------------|----------------|----------|--------|---------|
| 1199201 | 180° | Nylon | Black | 1 |
| 1199202 | 180° | Nylon | Black | 2 |