

1000 BASE-T TRANSFORMER MODULES

Ruggedized



- ⚙️ Compliant with IEEE802.3 standards
- ⚙️ 350uH OCL with 8mA DC bias
- ⚙️ Operating temperature: 1000B-5006: -40°C to +85°C
1000B-5006X: -55°C to +125°C
- ⚙️ Epoxy encapsulated package withstands 235°C peak temperature profile
- ⚙️ Moisture Sensitivity Level: 3

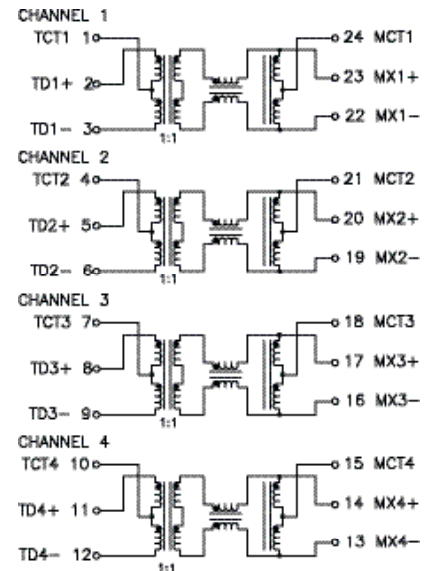
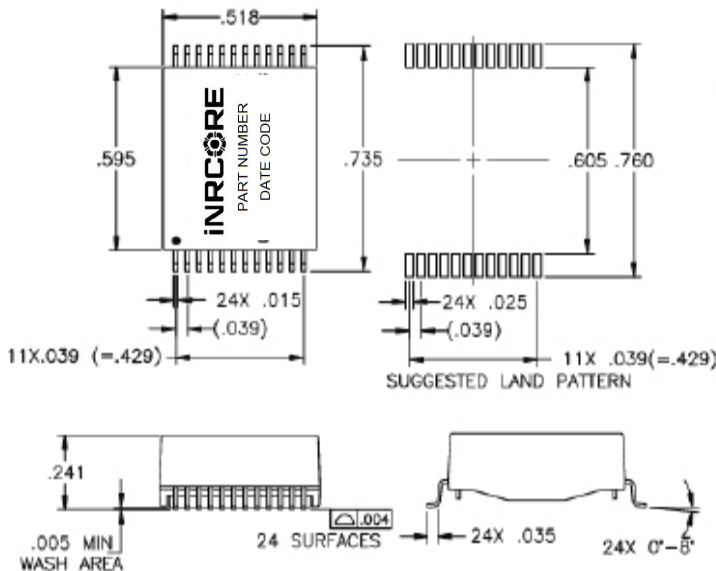
Electrical Specifications @ 25 °C

Part Number	Insertion Loss (dB MIN)		Return Loss (dB MAX)			Cross Talk (dB MAX)			Differential to Common Mode Rejection (dB MAX)			Hipot (Vrms)
	0.1-100 MHz	5-30 MHz	50 MHz	60 MHz	80 MHz	30 MHz	60 MHz	100 MHz	1-30 MHz	30-60 MHz	60-100 MHz	
1000B-5006	-1.2	-18	-13	-12	-10	-43	-37	-33	-43	-37	-30	1500
1000B-5006X	-1.4	-18	-13	-12	-10	-43	-37	-33	-43	-37	-33	1500

Mechanical

Electrical Schematic

100B-5006/X



Dimensions: $\frac{\text{Inches}}{\text{mm}}$

Unless otherwise specified, all tolerances are: $\pm \frac{.010}{0,25}$

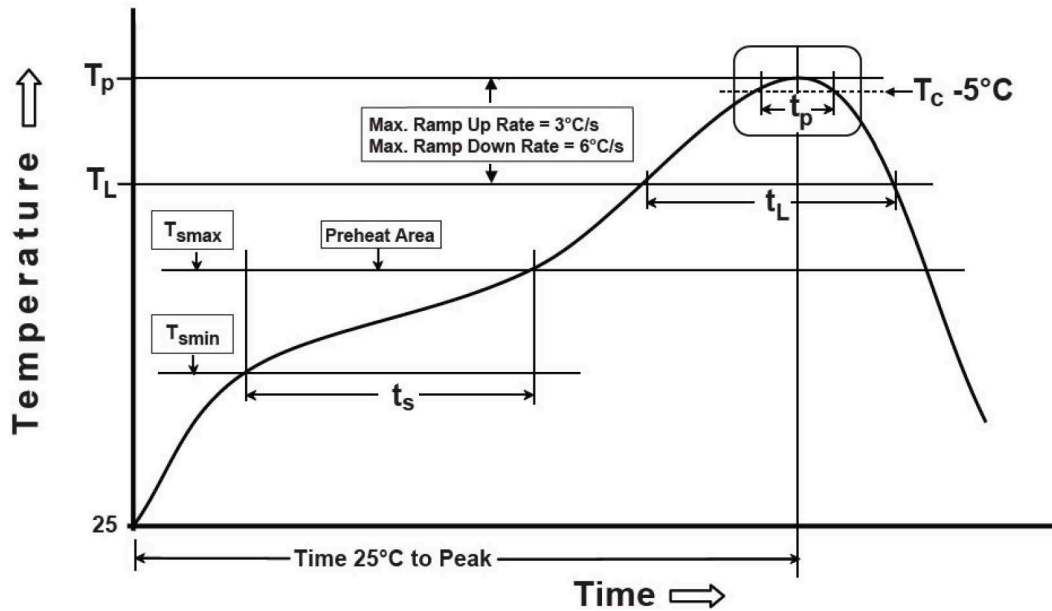


1000 BASE-T TRANSFORMER MODULES

Ruggedized



Tin/Lead Recommended Reflow Profile (Based on J-STD-020D)



T_{SMIN} (°C)	T_{SMAX} (°C)	T_L (°C)	T_P (°C MAX)	t_s (s)	t_L (s)	t_p (s MAX)	Ramp-up rate (T_L to T_P)	Ramp-down rate (T_P to T_L)	Time 25°C to peak temperature (s MAX)
100	150	183	235	60-120	60-150	20	3°C/s MAX	6°C/s MAX	360

Notes:

1. All temperatures measured on the package leads.
2. Maximum times of reflow cycle: 2.

For More Information

iNRCORE, LLC
311 Sinclair Road Bristol,
PA 19007-6812 U.S.A
Tel: + 1.215.781.6400
Fax: +1.215.7816430

Global Sales Representatives and Locations:
<http://www.incore.com>

Performance warranty of products offered on this data sheet is limited to the parameters specified. Data is subject to change without notice. Other brand and product names mentioned herein may be trademarks or registered trademarks of their respective owners. © Copyright, 2020. iNRCORE, LLC. All rights reserved.

