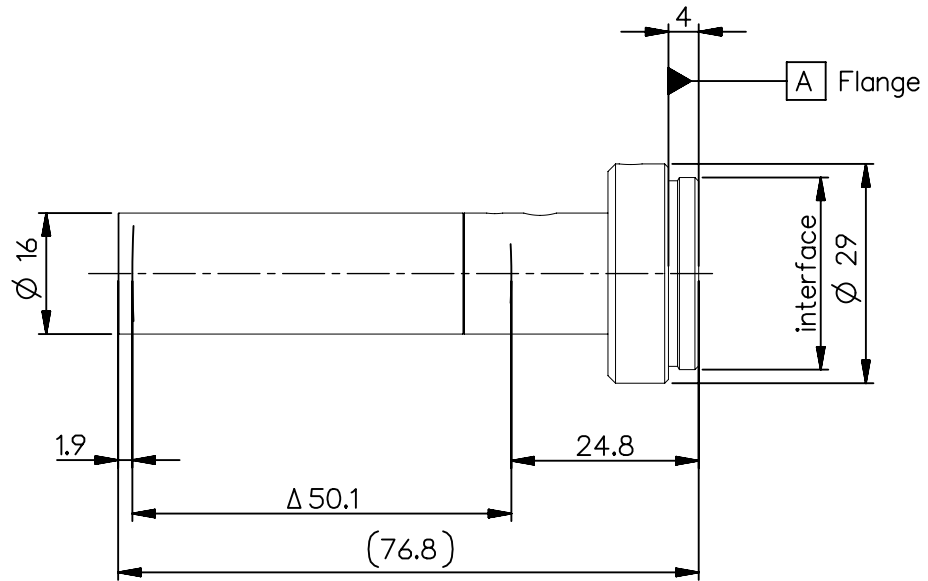


order number	lens name	f-stop
0009-193-000-40	Macro-CCD-Lens -2x	4.4



<b>Specification</b>		ON	
image circle max. (mm)	11	working distance (mm)	75
focal length f' (mm)	25.6	interface	C-mount
magnification β' [range]	-2	filter thread	-
spectral range λ (nm)	400 - 750	weight (g)	40

schematic diagram <span style="float: right;">*) in air</span> 		design includes CCD cover glass: no	
SF (mm)	-64.2	f-stop	
S'F' (mm) *)	-12.7	Ø EnP	
HH' (mm) *)	50.5	Ø Exp	
SH (mm)	-38.7		
S'H' (mm) *)	-38.3		
SEnP (mm)			
S'Exp (mm) *)			

NX PROTECTIVE NOTE "DIN ISO 16016" TO BE OBSERVED	EU-D	AL-T1A	US-D	US-ML	not export controlled
	REV	ECC	DATE	APPROVED	PDM Status <b>Freigabe</b>
	a	Neuausg			-
	b	11-0358	20.07.11	Kuehne	
c	14-0184	17.09.14	Schiff e	SCALE <b>1:1</b>	
d	17-0915	05.12.17	Denk	MATERIAL	
				BASIC TOLERANCING PRINCIPLE	TITLE
				FIRST DATE NAME	<b>Macro-CCD-Lens 2x</b>
				ISSUE 17.09.14 Schifferer	
				CHKD 17.09.14 Stauder	
<b>DIN A 4</b>	ALL DIMENSIONS ARE IN MM AND INCLUDE SURFACE TREATMENT				DRAWING NO.
					<b>0009-193-100-40-0001d</b>
				REPLACES	SHEET 1 OF 1