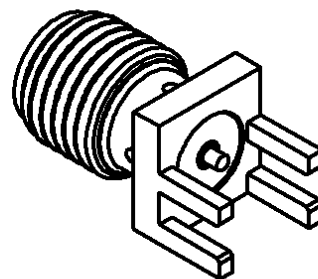
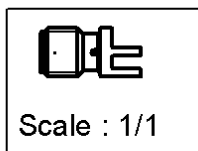
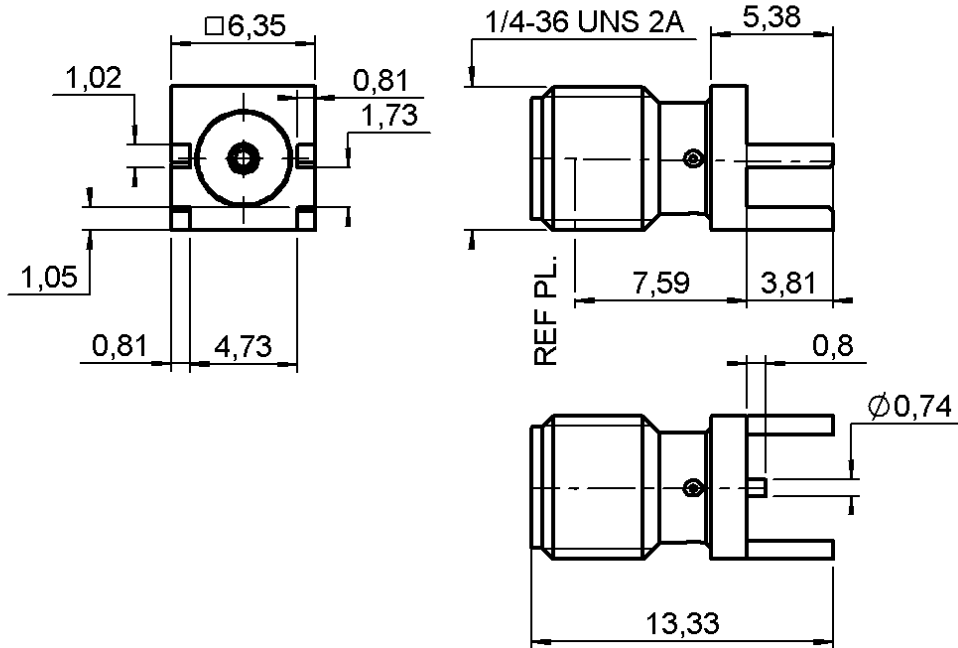


**STRAIGHT JACK RECEPTACLE FOR PCB**

**SMT TYPE - EDGE CARD.**

**R124.423.223**

Series : SMA-COM



All dimensions are in mm.



COMPONENTS	MATERIALS	PLATING (µm)
BODY	BRASS	GOLD 0.5 OVER NICKEL 2
CENTER CONTACT	BERYLLIUM COPPER	GOLD 1.3 OVER NICKEL2
OUTER CONTACT	-	-
INSULATOR	PTFE	-
GASKET	-	-
OTHERS PARTS	-	-
-	-	-
-	-	-

Issue : 1149 A

In the effort to improve our products, we reserve the right to make changes judged to be necessary.



**STRAIGHT JACK RECEPTACLE FOR PCB**

**R124.423.223**

**SMT TYPE - EDGE CARD.**

Series : SMA-COM

**PACKAGING**

**SPECIFICATION**

Standard	Unit	Other
<b>100</b>	<b>'W' option</b>	<b>Contact us</b>

**ELECTRICAL CHARACTERISTICS**

**ENVIRONMENTAL**

Impedance	<b>50</b>	$\Omega$
Frequency	<b>0-18</b>	GHz
VSWR	<b>1.14 + 0,0000</b>	x F(GHz) Maxi
Insertion loss	<b>0.05</b>	$\sqrt{F}$ (GHz) dB Maxi
RF leakage	- ( <b>100</b> )	- F(GHz)) dB Maxi
Voltage rating	<b>500</b>	Veff Maxi
Dielectric withstanding voltage	<b>1000</b>	Veff mini
Insulation resistance	<b>5000</b>	M $\Omega$ mini

Operating temperature	<b>-65/+165</b>	$^{\circ}$ C
Hermetic seal	<b>NA</b>	Atm.cm3/s
Panel leakage	<b>NA</b>	

**OTHER CHARACTERISTICS**

Assembly instruction **NA**

Others :  
-

**MECHANICAL CHARACTERISTICS**

Center contact retention		
Axial force – Mating end	<b>27</b>	N mini
Axial force – Opposite end	<b>27</b>	N mini
Torque	<b>2.8</b>	N.cm mini
Recommended torque		
Mating	<b>NA-</b>	N.cm
Panel nut	<b>NA</b>	N.cm
Mating life	<b>100</b>	Cycles mini
Weight	<b>1,5620</b>	g

Issue : 1149 A

In the effort to improve our products, we reserve the right to make changes judged to be necessary.



**STRAIGHT JACK RECEPTACLE FOR PCB**

**R124.423.223**

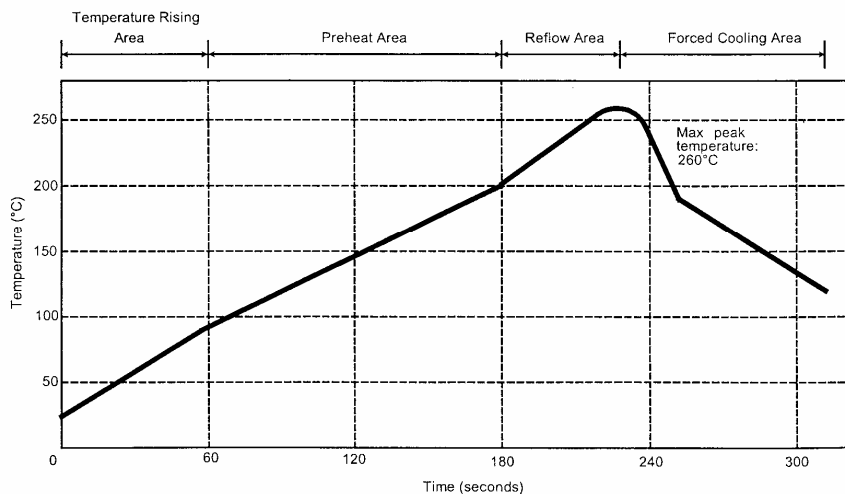
**SMT TYPE - EDGE CARD.**

Series : SMA-COM

**SOLDER PROCEDURE**

1. Deposition of solder paste 'Sn Ag4 Cu0.5' on mounting zone by screen printing application. We recommend a low residue flux.  
We advise a thickness of 150 microns ( 5.850 microinch ). Verify that the edges of the zone are clean.
2. Placement of the receptacle on the mounting zone with an automatic machine of 'pick and place' type.  
Video camera is recommended for the positioning of the component. Adhesive agents must not be used on the receptacle.
3. Soldering by infra-red reflow.  
Below, please find the typical profile to use.
4. Cleaning of printed circuit boards.
5. Checking of solder joints and position of the component by visual inspection.

**TEMPERATURE PROFIL**



Parameter	Value	Unit
Temperature rising Area	1 - 4	°C/sec
Max Peak Temperature	260	°C
Max dwell time @260°C	10	sec
Min dwell time @235°C	20	sec
Max dwell time @235°C	60	sec
Temperature drop in cooling Area	-1 to - 4	°C/sec
Max dwell time above 100°C	420	sec

Issue : 1149 A

In the effort to improve our products, we reserve the right to make changes judged to be necessary.



**STRAIGHT JACK RECEPTACLE FOR PCB**

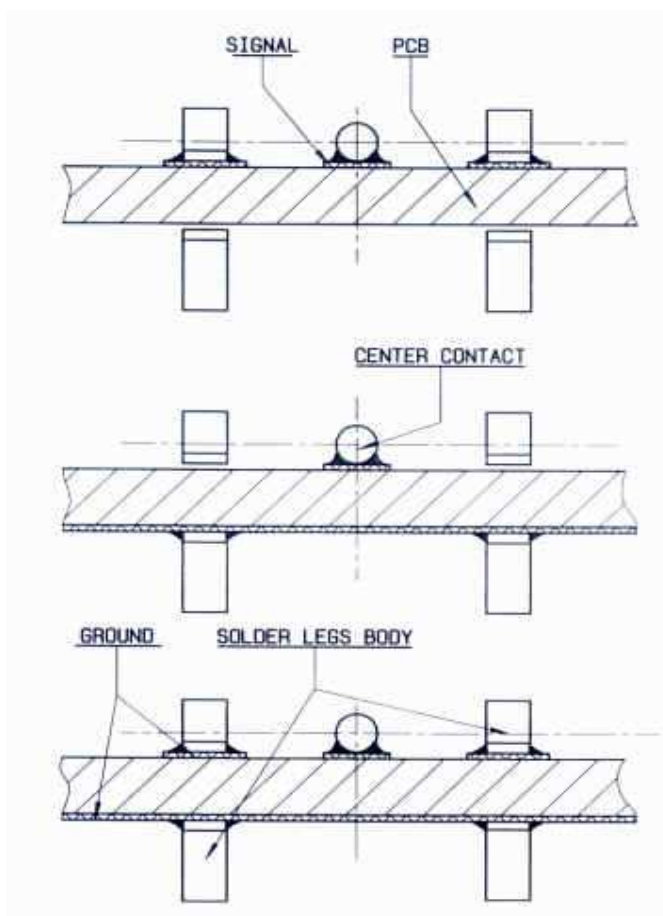
**SMT TYPE - EDGE CARD.**

**R124.423.223**

Series : SMA-COM

**MOUNTING TYPE**

This type of connector is adapted to one specific PCB thickness .  
It can be used with different ways of transmission .



1- COPLANAR LINE  
Signal and ground are coplanar .

2 – MICROSTRIP LINE  
Signal and ground are opposite .

3 – Coplanar and opposite  
grounds .

**Solution 3 features a stronger mechanical retention on the PCB because the 4 leads are soldered**

Issue : 1149 A

In the effort to improve our products, we reserve the right to make changes judged to be necessary.



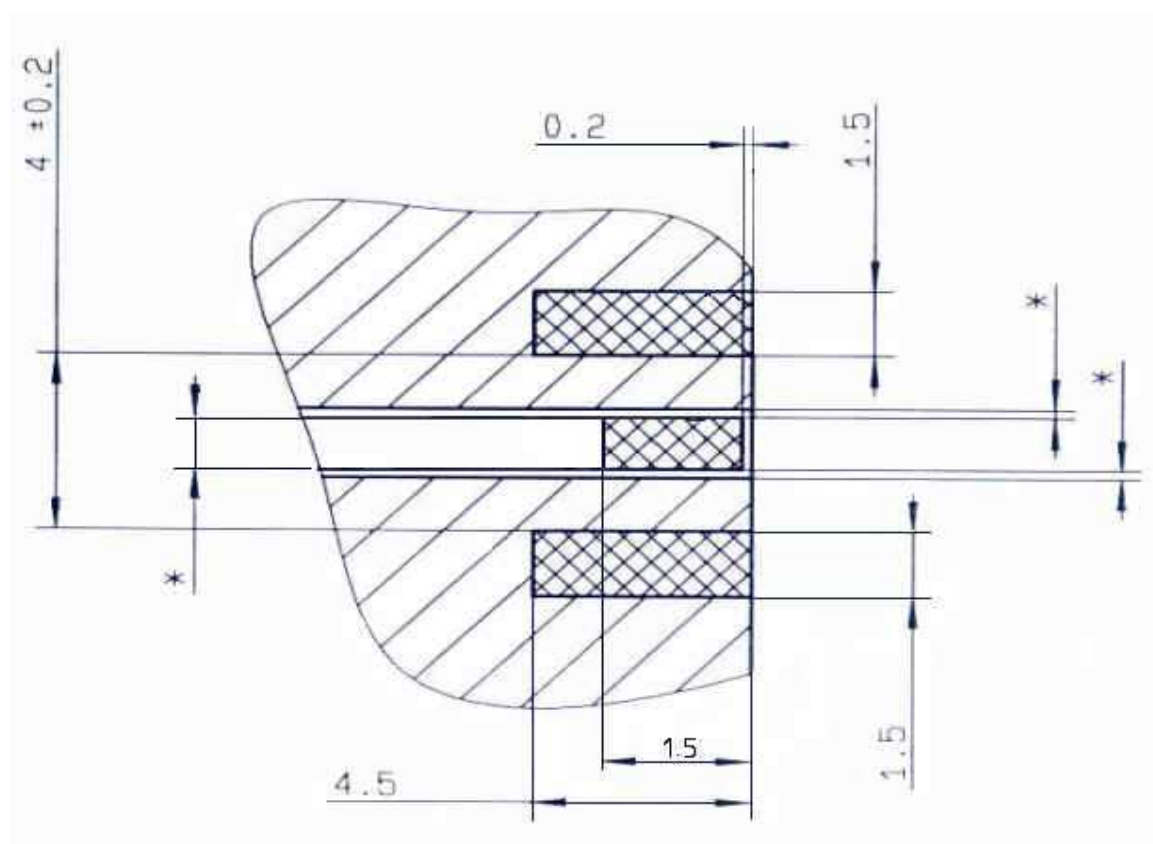
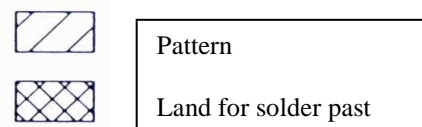
**STRAIGHT JACK RECEPTACLE FOR PCB**

**R124.423.223**

**SMT TYPE - EDGE CARD.**

Series : SMA-COM

**DIMENSIONS**



\* Parameters flaged by a star must be defined dimensionally regarding the thickness of the PCB and the transmission way these parameters could be measured by RADIALL if requested .

**COPLANAR LINE**

Pattern and signal are on the same side The material of PCB is the epoxy resin of glass fabrics bacs . (ER = 4.8)The solder resist should be printed except for the land pattern on the PCB

Issue : 1149 A

In the effort to improve our products, we reserve the right to make changes judged to be necessary.

