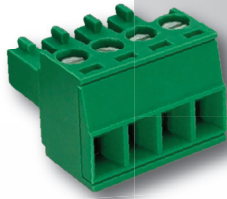


PCB Plug-In Connectors

3.50 mm Pin Spacing

- Horizontal Plug
- 11A Current Rating

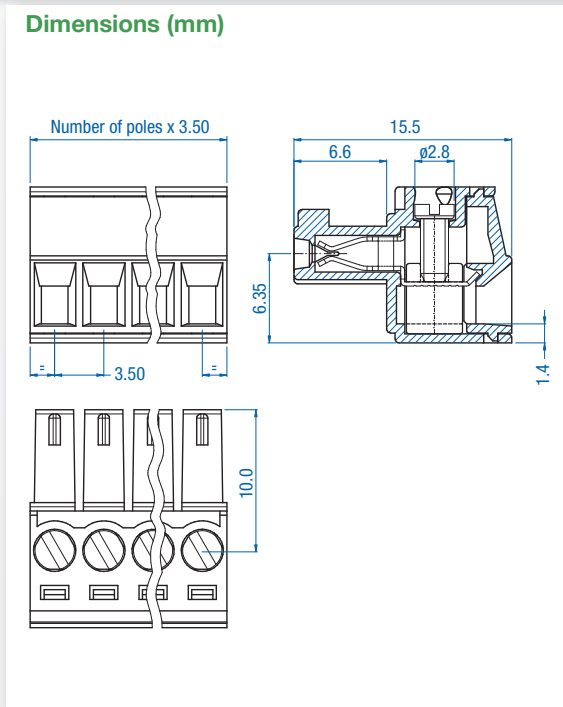


SHxx-3,50

Electrical Ratings		UL US E178356			IEC	VDE
Usergroup		B	C	D	-	-
Rated Voltage		300V	-	300V	160V	
Rated Current		11A	-	11A	8A	
Wire Size	<i>solid</i>	30-14AWG	-	30-14AWG	0.25mm ² -1.5mm ²	
	<i>stranded</i>	30-14AWG	-	30-14AWG	0.25mm ² -1.5mm ²	

Ordering Information (3.50 mm Spacing)

No. Poles	Order #	Length (mm)	Std. Pack
2	SH02-3,50	7.0	100
3	SH03-3,50	10.5	100
4	SH04-3,50	14.0	50
5	SH05-3,50	17.5	50
6	SH06-3,50	21.0	50
7	SH07-3,50	24.6	50
8	SH08-3,50	28.0	50
9	SH09-3,50	31.5	50
10	SH10-3,50	35.0	50
11	SH11-3,50	38.5	50
12	SH12-3,50	42.0	50
13	SH13-3,50	45.5	20
14	SH14-3,50	49.0	20
15	SH15-3,50	52.5	20
16	SH16-3,50	56.0	20
17	SH17-3,50	59.5	20
18	SH18-3,50	63.0	20
19	SH19-3,50	66.5	20
20	SH20-3,50	70.0	20
21	SH21-3,50	73.5	20
22	SH22-3,50	77.0	20
23	SH23-3,50	81.5	20
24	SH24-3,50	84.0	20



Material Specifications

Screws	Galvanized Steel
Clamp	Nickel Copper Alloy
Contact Spring	Nickel Copper Alloy
Insulating Material	Polyamide
Flammability Class	V0 UL94
Operating Temperature	-30°C - +105°C

Installation Data

Screw Size	M2
Torque	0.25Nm (2.3 lb.in.)
Stripping Length	max. 8mm
Clamp Opening	1.8 x 2.6 mm

Mating Headers

Single Row

PVPxx-3,50	PHPxx-3,50	PVxx-3,50	PHxx-3,50
------------	------------	-----------	-----------

Double Row

PDVxx-3,50-V-M	PDVxx-3,50-H-M
PDVxx-3,50-V-P	PDVxx-3,50-H-P