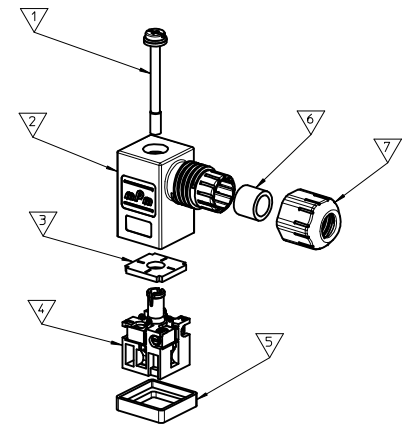


ITEM	DESCRIPTION
1	SCREW
2	TYPE C MICRO COVER
3	PCB
4	TYPE C MICRO INSERT
5	TYPE C MICRO GASKET
6	GROMMET
7	EXTERNAL NUT

S29200NC410T**



SERIES _____
 S29= EXTERNAL THREAD FORM C MICRO
 POLES _____
 2= 2 POLE
 THREAD _____
 00 = EXTERNAL THREAD
 MATERIAL AND HOUSING COLOR _____
 G= PA6 GRAY, N= PA6 BLACK, W= PA6 BLACK V0,
 B= WHITE, T= TRANSPARENT
 CIRCUIT _____
 SEE DETAILS IN CATALOGUE
 VOLTAGE _____
 SEE DETAILS IN CATALOGUE
 GROUND POSITION _____
 0= UNMOUNTED, 2= H12, 3=H3, 6 =H6 & 9= H9
 SCREW AND GASKET _____
 T= PROFILE NBR GASKET AND IP67 SCREW
 U= PROFILE SILICON GASKET AND IP67 SCREW
 NON STANDARD PACKAGING _____
 CN= BULK PACK UN-MOUNTED
 SN= BULK PACK MOUNTED
 67= NEUTRAL PACKAGING

NOTES:

- FOR SPECIFIC PART NUMBERS PLEASE CONTACT SALES OR CONSULT THE INTELLIGENT PART NUMBERS IN THE TABLE ATTACHED
- PACKAGING SPECIFICATION: PLEASE SEE PK-121201-001
- PRODUCT SPECIFICATION: PLEASE SEE PS-121201-001
- CABLE SIZES 3 - 5.5 MM DIAMETER
- TIGHTENING TORQUES: SEE PS-121201-001
- GROUND POSITION SHOWN H12

LAST INSPECTION NUMBER 9

MODIFIED SCREW EC NO: IPG2012-0379 DRAWN: DSHEA 2012/05/14 CHKD: SMCREVEY 2012/06/12 APPR: EFOLAN 2012/07/20	QUALITY SYMBOLS ▽=0 ▽=0	GENERAL TOLERANCES (UNLESS SPECIFIED)		DIMENSION STYLE MM ONLY		SCALE 2:1	DESIGN UNITS METRIC	THIRD ANGLE PROJECTION		
			mm	INCH	DRAWN BY DCARTON	DATE 2010/07/26	TITLE EXTERNAL THREAD S292 SERIES 121211			
		4 PLACES ±--- ±---			CHECKED BY DMAHER	DATE 2010/07/26				
		3 PLACES ±--- ±--- 2 PLACES ±0.1 ±--- 1 PLACE ±0.2 ±--- ANGULAR ±---°			APPROVED BY EFOLAN	DATE 2010/08/09	MOLEX INCORPORATED			
	DRAFT WHERE APPLICABLE MUST REMAIN WITHIN DIMENSIONS		MATERIAL NO. SEE TABLES		DOCUMENT NO. SD-121211-001		SHEET NO. 1 OF 5			
				SIZE A2		THIS DRAWING CONTAINS INFORMATION THAT IS PROPRIETARY TO MOLEX INCORPORATED AND SHOULD NOT BE USED WITHOUT WRITTEN PERMISSION				

Part No	MPM Part No	DESCRIPTION	CIRCUIT	VOLTAGE	INDICATOR
1212110111	S29200TS010T	TYPE C MICRO TRANSPARENT	S0	12v	RED LED
1212110112	S29200TS020T	TYPE C MICRO TRANSPARENT	S0	24v	RED LED
1212110113	S29200TS030T	TYPE C MICRO TRANSPARENT	S0	48v	RED LED
1212110114	S29200TS040T	TYPE C MICRO TRANSPARENT	S0	115v	RED LED
1212110115	S29200TS050T	TYPE C MICRO TRANSPARENT	S0	230v	RED LED
1212110116	S29200TSA0T	TYPE C MICRO TRANSPARENT	S0	12v	GREEN LED
1212110117	S29200TS0B0T	TYPE C MICRO TRANSPARENT	S0	24v	GREEN LED
1212110118	S29200TSC0T	TYPE C MICRO TRANSPARENT	S0	48v	GREEN LED
1212110119	S29200TSD0T	TYPE C MICRO TRANSPARENT	S0	115v	GREEN LED
1212110120	S29200TSE0T	TYPE C MICRO TRANSPARENT	S0	230v	GREEN LED
1212110121	S29200TS0G0T	TYPE C MICRO TRANSPARENT	S0	12v	AMBER LED
1212110122	S29200TSH0T	TYPE C MICRO TRANSPARENT	S0	24v	AMBER LED
1212110123	S29200TS0K0T	TYPE C MICRO TRANSPARENT	S0	48v	AMBER LED
1212110124	S29200TSL0T	TYPE C MICRO TRANSPARENT	S0	115v	AMBER LED
1212110125	S29200TS0M0T	TYPE C MICRO TRANSPARENT	S0	230v	AMBER LED

Part No	MPM Part No	DESCRIPTION	CIRCUIT	VOLTAGE	INDICATOR
1212110166	S29200TC310TCN	TYPE C MICRO TRANSPARENT	C3	12v	RED LED
1212110167	S29200TC320TCN	TYPE C MICRO TRANSPARENT	C3	24v	RED LED
1212110168	S29200TC330TCN	TYPE C MICRO TRANSPARENT	C3	48v	RED LED
1212110169	S29200TC340TCN	TYPE C MICRO TRANSPARENT	C3	115v	RED LED
1212110170	S29200TC350TCN	TYPE C MICRO TRANSPARENT	C3	230v	RED LED
1212110171	S29200TC3A0TCN	TYPE C MICRO TRANSPARENT	C3	12v	GREEN LED
1212110172	S29200TC3B0TCN	TYPE C MICRO TRANSPARENT	C3	24v	GREEN LED
1212110173	S29200TC3C0TCN	TYPE C MICRO TRANSPARENT	C3	48v	GREEN LED
1212110174	S29200TC3D0TCN	TYPE C MICRO TRANSPARENT	C3	115v	GREEN LED
1212110175	S29200TC3E0TCN	TYPE C MICRO TRANSPARENT	C3	230v	GREEN LED
1212110176	S29200TC3G0TCN	TYPE C MICRO TRANSPARENT	C3	12v	AMBER LED
1212110177	S29200TC3H0TCN	TYPE C MICRO TRANSPARENT	C3	24v	AMBER LED
1212110178	S29200TC3K0TCN	TYPE C MICRO TRANSPARENT	C3	48v	AMBER LED
1212110179	S29200TC3L0TCN	TYPE C MICRO TRANSPARENT	C3	115v	AMBER LED
1212110180	S29200TC3M0TCN	TYPE C MICRO TRANSPARENT	C3	230v	AMBER LED

Part No	MPM Part No	DESCRIPTION	CIRCUIT	VOLTAGE	INDICATOR
1212110141	S29200NS110T	TYPE C MICRO BLACK	S1	12v	NO LED
1212110142	S29200NS120T	TYPE C MICRO BLACK	S1	24v	NO LED
1212110143	S29200NS130T	TYPE C MICRO BLACK	S1	48v	NO LED
1212110144	S29200NS140T	TYPE C MICRO BLACK	S1	115v	NO LED
1212110145	S29200NS150T	TYPE C MICRO BLACK	S1	230v	NO LED

Part No	MPM Part No	DESCRIPTION	CIRCUIT	VOLTAGE	INDICATOR
1212110181	S29200TC410TCN	TYPE C MICRO TRANSPARENT	C4	12v	RED LED
1212110182	S29200TC420TCN	TYPE C MICRO TRANSPARENT	C4	24v	RED LED
1212110183	S29200TC430TCN	TYPE C MICRO TRANSPARENT	C4	48v	RED LED
1212110184	S29200TC440TCN	TYPE C MICRO TRANSPARENT	C4	115v	RED LED
1212110185	S29200TC450TCN	TYPE C MICRO TRANSPARENT	C4	230v	RED LED
1212110186	S29200TC4A0TCN	TYPE C MICRO TRANSPARENT	C4	12v	GREEN LED
1212110187	S29200TC4B0TCN	TYPE C MICRO TRANSPARENT	C4	24v	GREEN LED
1212110188	S29200TC4C0TCN	TYPE C MICRO TRANSPARENT	C4	48v	GREEN LED
1212110189	S29200TC4D0TCN	TYPE C MICRO TRANSPARENT	C4	115v	GREEN LED
1212110190	S29200TC4E0TCN	TYPE C MICRO TRANSPARENT	C4	230v	GREEN LED
1212110191	S29200TC4G0TCN	TYPE C MICRO TRANSPARENT	C4	12v	AMBER LED
1212110192	S29200TC4H0TCN	TYPE C MICRO TRANSPARENT	C4	24v	AMBER LED
1212110193	S29200TC4K0TCN	TYPE C MICRO TRANSPARENT	C4	48v	AMBER LED
1212110194	S29200TC4L0TCN	TYPE C MICRO TRANSPARENT	C4	115v	AMBER LED
1212110195	S29200TC4M0TCN	TYPE C MICRO TRANSPARENT	C4	230v	AMBER LED

Part No	MPM Part No	DESCRIPTION	CIRCUIT	VOLTAGE	INDICATOR
1212110151	S29200TA110TCN	TYPE C MICRO TRANSPARENT	A1	12v	RED LED
1212110152	S29200TA120TCN	TYPE C MICRO TRANSPARENT	A1	24v	RED LED
1212110153	S29200TA130TCN	TYPE C MICRO TRANSPARENT	A1	48v	RED LED
1212110154	S29200TA140TCN	TYPE C MICRO TRANSPARENT	A1	115v	RED LED
1212110155	S29200TA150TCN	TYPE C MICRO TRANSPARENT	A1	230v	RED LED
1212110156	S29200TA1A0TCN	TYPE C MICRO TRANSPARENT	A1	12v	GREEN LED
1212110157	S29200TA1B0TCN	TYPE C MICRO TRANSPARENT	A1	24v	GREEN LED
1212110158	S29200TA1C0TCN	TYPE C MICRO TRANSPARENT	A1	48v	GREEN LED
1212110159	S29200TA1D0TCN	TYPE C MICRO TRANSPARENT	A1	115v	GREEN LED
1212110160	S29200TA1E0TCN	TYPE C MICRO TRANSPARENT	A1	230v	GREEN LED
1212110161	S29200TA1G0TCN	TYPE C MICRO TRANSPARENT	A1	12v	AMBER LED
1212110162	S29200TA1H0TCN	TYPE C MICRO TRANSPARENT	A1	24v	AMBER LED
1212110163	S29200TA1K0TCN	TYPE C MICRO TRANSPARENT	A1	48v	AMBER LED
1212110164	S29200TA1L0TCN	TYPE C MICRO TRANSPARENT	A1	115v	AMBER LED
1212110165	S29200TA1M0TCN	TYPE C MICRO TRANSPARENT	A1	230v	AMBER LED

Part No	MPM Part No	DESCRIPTION	CIRCUIT	VOLTAGE	INDICATOR
1212110196	S29200TD010TCN	TYPE C MICRO TRANSPARENT	D0	12v	VDR
1212110197	S29200TD020TCN	TYPE C MICRO TRANSPARENT	D0	24v	VDR
1212110198	S29200TD030TCN	TYPE C MICRO TRANSPARENT	D0	48v	VDR
1212110199	S29200TD040TCN	TYPE C MICRO TRANSPARENT	D0	115v	VDR
1212110200	S29200TD050TCN	TYPE C MICRO TRANSPARENT	D0	230v	VDR

SEE SHEET 1 EC NO: IPG2012-0379 DRWING: SHEA 2012/05/14 CHKD: SMC GREVY 2012/06/22 APPR: EFOLAN 2012/07/20	QUALITY SYMBOLS 	GENERAL TOLERANCES (UNLESS SPECIFIED)		DIMENSION STYLE MM ONLY		SCALE 1:1	DESIGN UNITS METRIC	THIRD ANGLE PROJECTION
		4 PLACES ± --- mm ± --- INCH	DRAWN BY DCARTON	DATE 2010/07/26	TITLE EXTERNAL THREAD S292 SERIES 121211			
		3 PLACES ± --- mm ± --- INCH	CHECKED BY DMAHER	DATE 2010/07/26	MOLEX INCORPORATED			
		2 PLACES ± 0.1 mm ± --- INCH 1 PLACE ± 0.2 mm ± --- INCH ANGULAR ± --- °	APPROVED BY EFOLAN	DATE 2010/08/09	MATERIAL NO. SEE TABLES	DOCUMENT NO. SD-121211-001	SHEET NO. 3 OF 5	

DRAFT WHERE APPLICABLE MUST REMAIN WITHIN DIMENSIONS

THIS DRAWING CONTAINS INFORMATION THAT IS PROPRIETARY TO MOLEX INCORPORATED AND SHOULD NOT BE USED WITHOUT WRITTEN PERMISSION

Part No	MPM Part No	DESCRIPTION	CIRCUIT	VOLTAGE	INDICATOR
1212110201	S29200NE050TCN	TYPE C MICRO BLACK	E0	230v	DIODE

Part No	MPM Part No	DESCRIPTION	CIRCUIT	VOLTAGE	INDICATOR
1212110261	S29200TS010TCN	TYPE C MICRO TRANSPARENT	S0	12v	RED LED
1212110262	S29200TS020TCN	TYPE C MICRO TRANSPARENT	S0	24v	RED LED
1212110263	S29200TS030TCN	TYPE C MICRO TRANSPARENT	S0	48v	RED LED
1212110264	S29200TS040TCN	TYPE C MICRO TRANSPARENT	S0	115v	RED LED
1212110265	S29200TS050TCN	TYPE C MICRO TRANSPARENT	S0	230v	RED LED
1212110266	S29200TSA00TCN	TYPE C MICRO TRANSPARENT	S0	12v	GREEN LED
1212110267	S29200TS0B0TCN	TYPE C MICRO TRANSPARENT	S0	24v	GREEN LED
1212110268	S29200TS0C0TCN	TYPE C MICRO TRANSPARENT	S0	48v	GREEN LED
1212110269	S29200TS0D0TCN	TYPE C MICRO TRANSPARENT	S0	115v	GREEN LED
1212110270	S29200TS0E0TCN	TYPE C MICRO TRANSPARENT	S0	230v	GREEN LED
1212110271	S29200TS0G0TCN	TYPE C MICRO TRANSPARENT	S0	12v	AMBER LED
1212110272	S29200TS0H0TCN	TYPE C MICRO TRANSPARENT	S0	24v	AMBER LED
1212110273	S29200TS0K0TCN	TYPE C MICRO TRANSPARENT	S0	48v	AMBER LED
1212110274	S29200TS0L0TCN	TYPE C MICRO TRANSPARENT	S0	115v	AMBER LED
1212110275	S29200TS0M0TCN	TYPE C MICRO TRANSPARENT	S0	230v	AMBER LED

Part No	MPM Part No	DESCRIPTION	CIRCUIT	VOLTAGE	INDICATOR
1212110291	S29200NS110TCN	TYPE C MICRO BLACK	S1	12v	NO LED
1212110292	S29200NS120TCN	TYPE C MICRO BLACK	S1	24v	NO LED
1212110293	S29200NS130TCN	TYPE C MICRO BLACK	S1	48v	NO LED
1212110294	S29200NS140TCN	TYPE C MICRO BLACK	S1	115v	NO LED
1212110295	S29200NS150TCN	TYPE C MICRO BLACK	S1	230v	NO LED

Part No	MPM Part No	DESCRIPTION	CIRCUIT	VOLTAGE	INDICATOR
1212110301	S29200TA112TSN	TYPE C MICRO TRANSPARENT	A1	12v	RED LED
1212110302	S29200TA122TSN	TYPE C MICRO TRANSPARENT	A1	24v	RED LED
1212110303	S29200TA132TSN	TYPE C MICRO TRANSPARENT	A1	48v	RED LED
1212110304	S29200TA142TSN	TYPE C MICRO TRANSPARENT	A1	115v	RED LED
1212110305	S29200TA152TSN	TYPE C MICRO TRANSPARENT	A1	230v	RED LED
1212110306	S29200TA1A2TSN	TYPE C MICRO TRANSPARENT	A1	12v	GREEN LED
1212110307	S29200TA1B2TSN	TYPE C MICRO TRANSPARENT	A1	24v	GREEN LED
1212110308	S29200TA1C2TSN	TYPE C MICRO TRANSPARENT	A1	48v	GREEN LED
1212110309	S29200TA1D2TSN	TYPE C MICRO TRANSPARENT	A1	115v	GREEN LED
1212110310	S29200TA1E2TSN	TYPE C MICRO TRANSPARENT	A1	230v	GREEN LED
1212110311	S29200TA1G2TSN	TYPE C MICRO TRANSPARENT	A1	12v	AMBER LED
1212110312	S29200TA1H2TSN	TYPE C MICRO TRANSPARENT	A1	24v	AMBER LED
1212110313	S29200TA1K2TSN	TYPE C MICRO TRANSPARENT	A1	48v	AMBER LED
1212110314	S29200TA1L2TSN	TYPE C MICRO TRANSPARENT	A1	115v	AMBER LED
1212110315	S29200TA1M2TSN	TYPE C MICRO TRANSPARENT	A1	230v	AMBER LED

Part No	MPM Part No	DESCRIPTION	CIRCUIT	VOLTAGE	INDICATOR
1212110316	S29200TC312TSN	TYPE C MICRO TRANSPARENT	C3	12v	RED LED
1212110317	S29200TC322TSN	TYPE C MICRO TRANSPARENT	C3	24v	RED LED
1212110318	S29200TC332TSN	TYPE C MICRO TRANSPARENT	C3	48v	RED LED
1212110319	S29200TC342TSN	TYPE C MICRO TRANSPARENT	C3	115v	RED LED
1212110320	S29200TC352TSN	TYPE C MICRO TRANSPARENT	C3	230v	RED LED
1212110321	S29200TC3A2TSN	TYPE C MICRO TRANSPARENT	C3	12v	GREEN LED
1212110322	S29200TC3B2TSN	TYPE C MICRO TRANSPARENT	C3	24v	GREEN LED
1212110323	S29200TC3C2TSN	TYPE C MICRO TRANSPARENT	C3	48v	GREEN LED
1212110324	S29200TC3D2TSN	TYPE C MICRO TRANSPARENT	C3	115v	GREEN LED
1212110325	S29200TC3E2TSN	TYPE C MICRO TRANSPARENT	C3	230v	GREEN LED
1212110326	S29200TC3G2TSN	TYPE C MICRO TRANSPARENT	C3	12v	AMBER LED
1212110327	S29200TC3H2TSN	TYPE C MICRO TRANSPARENT	C3	24v	AMBER LED
1212110328	S29200TC3K2TSN	TYPE C MICRO TRANSPARENT	C3	48v	AMBER LED
1212110329	S29200TC3L2TSN	TYPE C MICRO TRANSPARENT	C3	115v	AMBER LED
1212110330	S29200TC3M2TSN	TYPE C MICRO TRANSPARENT	C3	230v	AMBER LED

SEE SHEET 1 EC NO: IPG2012-0379 DRWNG: SHEA 2012/05/14 CHKD: SMC GREVY 2012/06/12 APPR: EFOLAN 2012/07/20	DESCRIPTION REV	QUALITY SYMBOLS ▽=0 ▽=0	GENERAL TOLERANCES (UNLESS SPECIFIED) <table border="1"> <tr> <th></th> <th>mm</th> <th>INCH</th> </tr> <tr> <td>4 PLACES</td> <td>± .005</td> <td>± .0004</td> </tr> <tr> <td>3 PLACES</td> <td>± .008</td> <td>± .0003</td> </tr> <tr> <td>2 PLACES</td> <td>± 0.1</td> <td>± .004</td> </tr> <tr> <td>1 PLACE</td> <td>± 0.2</td> <td>± .008</td> </tr> <tr> <td colspan="3">ANGULAR ± .005°</td> </tr> </table>		mm	INCH	4 PLACES	± .005	± .0004	3 PLACES	± .008	± .0003	2 PLACES	± 0.1	± .004	1 PLACE	± 0.2	± .008	ANGULAR ± .005°			DIMENSION STYLE MM ONLY	SCALE 1:1	DESIGN UNITS METRIC	THIRD ANGLE PROJECTION
			mm	INCH																					
		4 PLACES	± .005	± .0004																					
		3 PLACES	± .008	± .0003																					
2 PLACES	± 0.1	± .004																							
1 PLACE	± 0.2	± .008																							
ANGULAR ± .005°																									
DRAWN BY DCARTON DATE 2010/07/26 CHECKED BY DMAHER DATE 2010/07/26 APPROVED BY EFOLAN DATE 2010/08/09			TITLE EXTERNAL THREAD S292 SERIES 121211																						
DRAFT WHERE APPLICABLE MUST REMAIN WITHIN DIMENSIONS			MATERIAL NO. SEE TABLES SIZE A 2		MOLEX INCORPORATED DOCUMENT NO. SD-121211-001		SHEET NO. 4 OF 5																		
THIS DRAWING CONTAINS INFORMATION THAT IS PROPRIETARY TO MOLEX INCORPORATED AND SHOULD NOT BE USED WITHOUT WRITTEN PERMISSION																									

Part No	MPM Part No	DESCRIPTION	CIRCUIT	VOLTAGE	INDICATOR
1212110331	S29200TC412TSN	TYPE C MICRO TRANSPARENT	C4	12v	RED LED
1212110332	S29200TC422TSN	TYPE C MICRO TRANSPARENT	C4	24v	RED LED
1212110333	S29200TC432TSN	TYPE C MICRO TRANSPARENT	C4	48v	RED LED
1212110334	S29200TC442TSN	TYPE C MICRO TRANSPARENT	C4	115v	RED LED
1212110335	S29200TC452TSN	TYPE C MICRO TRANSPARENT	C4	230v	RED LED
1212110336	S29200TC4A2TSN	TYPE C MICRO TRANSPARENT	C4	12v	GREEN LED
1212110337	S29200TC4B2TSN	TYPE C MICRO TRANSPARENT	C4	24v	GREEN LED
1212110338	S29200TC4C2TSN	TYPE C MICRO TRANSPARENT	C4	48v	GREEN LED
1212110339	S29200TC4D2TSN	TYPE C MICRO TRANSPARENT	C4	115v	GREEN LED
1212110340	S29200TC4E2TSN	TYPE C MICRO TRANSPARENT	C4	230v	GREEN LED
1212110341	S29200TC4G2TSN	TYPE C MICRO TRANSPARENT	C4	12v	AMBER LED
1212110342	S29200TC4H2TSN	TYPE C MICRO TRANSPARENT	C4	24v	AMBER LED
1212110343	S29200TC4K2TSN	TYPE C MICRO TRANSPARENT	C4	48v	AMBER LED
1212110344	S29200TC4L2TSN	TYPE C MICRO TRANSPARENT	C4	115v	AMBER LED
1212110345	S29200TC4M2TSN	TYPE C MICRO TRANSPARENT	C4	230v	AMBER LED

Part No	MPM Part No	DESCRIPTION	CIRCUIT	VOLTAGE	INDICATOR
1212110411	S29200TS012TSN	TYPE C MICRO TRANSPARENT	S0	12v	RED LED
1212110412	S29200TS022TSN	TYPE C MICRO TRANSPARENT	S0	24v	RED LED
1212110413	S29200TS032TSN	TYPE C MICRO TRANSPARENT	S0	48v	RED LED
1212110414	S29200TS042TSN	TYPE C MICRO TRANSPARENT	S0	115v	RED LED
1212110415	S29200TS052TSN	TYPE C MICRO TRANSPARENT	S0	230v	RED LED
1212110416	S29200TSA02TSN	TYPE C MICRO TRANSPARENT	S0	12v	GREEN LED
1212110417	S29200TS0B2TSN	TYPE C MICRO TRANSPARENT	S0	24v	GREEN LED
1212110418	S29200TS0C2TSN	TYPE C MICRO TRANSPARENT	S0	48v	GREEN LED
1212110419	S29200TS0D2TSN	TYPE C MICRO TRANSPARENT	S0	115v	GREEN LED
1212110420	S29200TS0E2TSN	TYPE C MICRO TRANSPARENT	S0	230v	GREEN LED
1212110421	S29200TS0G2TSN	TYPE C MICRO TRANSPARENT	S0	12v	AMBER LED
1212110422	S29200TS0H2TSN	TYPE C MICRO TRANSPARENT	S0	24v	AMBER LED
1212110423	S29200TS0K2TSN	TYPE C MICRO TRANSPARENT	S0	48v	AMBER LED
1212110424	S29200TS0L2TSN	TYPE C MICRO TRANSPARENT	S0	115v	AMBER LED
1212110425	S29200TS0M2TSN	TYPE C MICRO TRANSPARENT	S0	230v	AMBER LED

Part No	MPM Part No	DESCRIPTION	CIRCUIT	VOLTAGE	INDICATOR
1212110346	S29200TD012TSN	TYPE C MICRO TRANSPARENT	D0	12v	VDR
1212110347	S29200TD022TSN	TYPE C MICRO TRANSPARENT	D0	24v	VDR
1212110348	S29200TD032TSN	TYPE C MICRO TRANSPARENT	D0	48v	VDR
1212110349	S29200TD042TSN	TYPE C MICRO TRANSPARENT	D0	115v	VDR
1212110350	S29200TD052TSN	TYPE C MICRO TRANSPARENT	D0	230v	VDR

Part No	MPM Part No	DESCRIPTION	CIRCUIT	VOLTAGE	INDICATOR
1212110441	S29200NS112TSN	TYPE C MICRO BLACK	S1	12v	NO LED
1212110442	S29200NS122TSN	TYPE C MICRO BLACK	S1	24v	NO LED
1212110443	S29200NS132TSN	TYPE C MICRO BLACK	S1	48v	NO LED
1212110444	S29200NS142TSN	TYPE C MICRO BLACK	S1	115v	NO LED
1212110445	S29200NS152TSN	TYPE C MICRO BLACK	S1	230v	NO LED

Part No	MPM Part No	DESCRIPTION	CIRCUIT	VOLTAGE	INDICATOR
1212110355	S29200NE052TSN	TYPE C MICRO BLACK	E0	230v	DIODE

SEE SHEET 1 EC NO: IPG2012-0379 DRAWN BY: DRW:HSHEA CHKD:SMCGREY APPR:EFOLAN	2012/05/14 2012/06/22 2012/07/20	DESCRIPTION REV	QUALITY SYMBOLS	GENERAL TOLERANCES (UNLESS SPECIFIED)	DIMENSION STYLE	SCALE	DESIGN UNITS	THIRD ANGLE PROJECTION
			$\nabla=0$ $\nabla=0$	mm INCH 4 PLACES ± --- ± --- 3 PLACES ± --- ± --- 2 PLACES ± 0.1 ± --- 1 PLACE ± 0.2 ± --- ANGULAR ± ---°	MM ONLY DRAWN BY: DCARTON DATE: 2010/07/26 CHECKED BY: DMAHER DATE: 2010/07/26 APPROVED BY: EFOLAN DATE: 2010/08/09	1:1	METRIC	TITLE: EXTERNAL THREAD S292 SERIES 121211 MATERIAL NO. SD-121211-001 DOCUMENT NO.
			DRAFT WHERE APPLICABLE MUST REMAIN WITHIN DIMENSIONS	SEE TABLES SIZE A 2	MOLEX INCORPORATED THIS DRAWING CONTAINS INFORMATION THAT IS PROPRIETARY TO MOLEX INCORPORATED AND SHOULD NOT BE USED WITHOUT WRITTEN PERMISSION	SHEET NO. 5 OF 5		