



BGU8309

SiGe:C low-noise amplifier MMIC for GPS, GLONASS, Galileo and COMPASS

Rev. 4 — 18 January 2017

Product data sheet

1. General description

The BGU8309 is, also known as the GPS1401M, a low current Low Noise-Amplifier (LNA) for GNSS receiver applications. The BGU8309 is available in a small plastic 5-pin extremely thin leadless package. The BGU8309 requires only one external matching inductor and is optimized for higher IP_{3i} performance.

The BGU8309 adapts itself to the changing environment resulting from co-habitation of different radio systems in modern cellular handsets. It has been designed for ultra low power consumption and optimal performance when jamming signals from co-existing cellular transmitters are present. At low jamming power levels, it delivers 17 dB gain at a noise figure of 0.65 dB and a supply current of 3.6 mA. During high jamming power levels, resulting for example from a cellular transmit burst, it temporarily increases its bias current to improve sensitivity.

2. Features and benefits

- Out of band IP_{3i} of 5 dBm
- Optimized performance at a low supply current of 3.6 mA
- Covers full GNSS L1 band, from 1559 MHz to 1610 MHz
- Noise figure = 0.7 dB
- Gain 17 dB
- Input 1 dB compression point of -9 dBm
- Supply voltage 1.5 V to 3.1 V
- Integrated supply decoupling capacitor
- Power-down mode current consumption < 1 μ A
- Integrated temperature stabilized bias for easy design
- Requires only one input matching inductor
- RF input and RF output are AC coupled through internal DC blocking caps
- ESD protection on all pins (HBM > 2 kV)
- Integrated matching for the output
- Available in a 5-pins leadless package 0.8 mm \times 0.8 mm \times 0.35 mm: SOT1226-2
- 180 GHz transit frequency - SiGe:C technology
- Moisture sensitivity level 1



3. Applications

- LNA for GPS, GLONASS
- Galileo and Compass (BeiDou) in smart phones
- Feature phones
- Tablet PCs
- Digital still cameras
- Digital video cameras
- RF front-end modules
- Complete GNSS modules
- Wearable applications

4. Quick reference data

Table 1. Quick reference data

$f = 1575 \text{ MHz}$; $V_{CC} = 1.8 \text{ V}$; $V_{I(ENABLE)} \geq 0.8 \text{ V}$; $P_i < -40 \text{ dBm}$; $T_{amb} = 25 \text{ }^\circ\text{C}$; input matched to 50Ω using a 6.8 nH inductor, see [Figure 3](#). Unless otherwise specified.

Symbol	Parameter	Conditions	Min	Typ	Max	Unit
V_{CC}	supply voltage		1.5	-	3.1	V
I_{CC}	supply current	$P_i < -40 \text{ dBm}$	1.6	3.6	5.6	mA
G_p	power gain	no jammer	15	17	19	dB
NF	noise figure	$P_i = -40 \text{ dBm}$; no jammer	[1][2]	0.7	1.25	dB
$P_{I(1dB)}$	input power at 1 dB gain compression	[2]	-14	-9	-	dBm
$IP3_i$	input third-order intercept point	[2][3]	-1	5	-	dBm

[1] PCB losses are subtracted.

[2] Guaranteed by device design, but not tested in production.

[3] $f_1 = 1713 \text{ MHz}$; $f_2 = 1851 \text{ MHz}$; $P_i = -20 \text{ dBm}$ at f_1 ; $P_i = -65 \text{ dBm}$ at f_2 .

5. Ordering information

Table 2. Ordering information

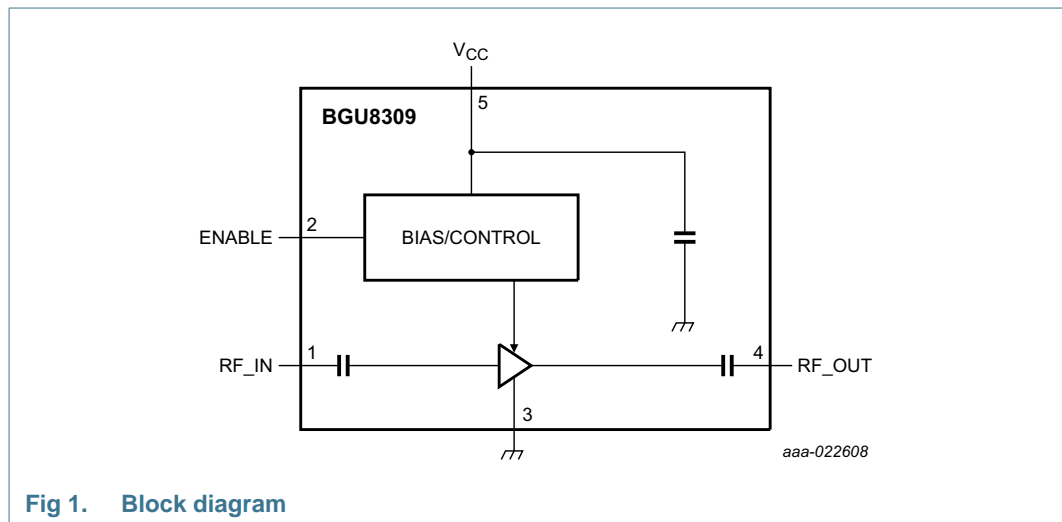
Type number	Package		Version
	Name	Description	
BGU8309	X2SON5	plastic thermal enhanced extremely thin small outline package; no leads; 5 terminals; body $0.8 \times 0.8 \times 0.35 \text{ mm}$	SOT1226-2
OM17017	EVB	BGU8309; evaluation board, MMIC only	-

6. Marking

Table 3. Marking codes

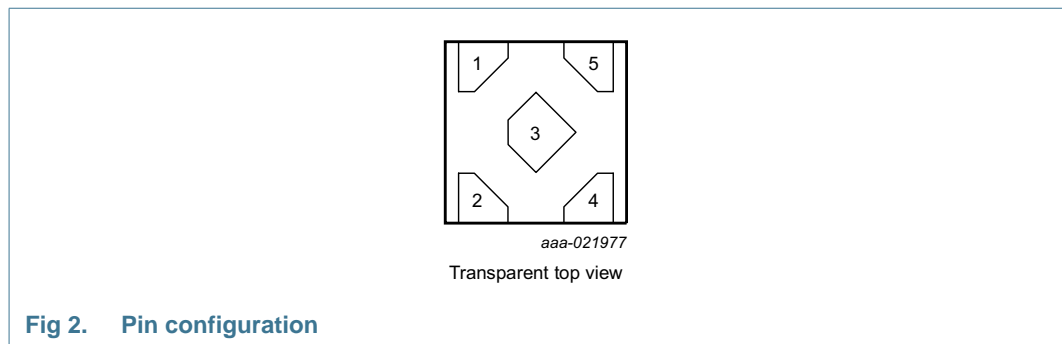
Type number	Marking code
BGU8309	A

7. Block diagram



8. Pinning information

8.1 Pinning



8.2 Pin description

Table 4. Pin description

Symbol	Pin	Description
RF_IN	1	RF input
ENABLE	2	enable
GND	3	ground
RF_OUT	4	RF output
V _{CC}	5	supply voltage

9. Limiting values

Table 5. Limiting values

In accordance with the Absolute Maximum Rating System (IEC 60134).

See [Section 18.3 “Disclaimers”](#), paragraph “Limiting values”.

Symbol	Parameter	Conditions	Min	Max	Unit
V_{CC}	supply voltage		[1] -0.5	+5.0	V
$V_{I(ENABLE)}$	input voltage on pin ENABLE	$V_{I(ENABLE)} < V_{CC} + 0.6$ V	[1][2] -0.5	+5.0	V
$V_{I(RF_IN)}$	input voltage on pin RF_IN	DC; $V_{I(RF_IN)} < V_{CC} + 0.6$ V	[1][2][3] -0.5	+5.0	V
$V_{I(RF_OUT)}$	input voltage on pin RF_OUT	DC; $V_{I(RF_OUT)} < V_{CC} + 0.6$ V	[1][2][3] -0.5	+5.0	V
P_i	input power		[1] -	10	dBm
P_{tot}	total power dissipation	$T_{sp} \leq 130$ °C	-	55	mW
T_{stg}	storage temperature		-65	+150	°C
T_j	junction temperature		-	150	°C
V_{ESD}	electrostatic discharge voltage	Human Body Model (HBM) according to JEDEC standard JS-001-2010	-	±2	kV
		Charged Device Model (CDM) according to JEDEC standard JESD22-C101C	-	±1	kV

[1] Stressed with pulses of 200 ms in duration, with application circuit as in [Figure 3](#).

[2] Warning: Due to internal ESD diode protection, to avoid excess current, the applied DC voltage must not exceed $V_{CC} + 0.6$ V or 5.0 V.

[3] The RF input and RF output are AC coupled through internal DC blocking capacitors.

10. Recommended operating conditions

Table 6. Operating conditions

Symbol	Parameter	Conditions	Min	Typ	Max	Unit
V_{CC}	supply voltage		1.5	-	3.1	V
T_{amb}	ambient temperature		-40	+25	+85	°C
$V_{I(ENABLE)}$	input voltage on pin ENABLE	OFF state	-	-	0.3	V
		ON state	0.8	-	-	V

11. Thermal characteristics

Table 7. Thermal characteristics

Symbol	Parameter	Conditions	Typ	Unit
$R_{th(j-bop)}$	thermal resistance from junction to bottom of package	in free air	[1] 192	K/W
$R_{th(j-pcb)}$	thermal resistance from junction to printed-circuit board	in free air	[2] 330	K/W
Ψ_{j-pcb}	thermal characterization parameter from junction to printed-circuit board	in free air	[2] 177	K/W

[1] Simulated using finite element method resembling device on NXP application board.

[2] Measured with device mounted on NXP application board.

12. Characteristics

Table 8. Characteristics at $V_{CC} = 1.8\text{ V}$

$f = 1575\text{ MHz}$; $V_{I(ENABLE)} \geq 0.8\text{ V}$; $P_i < -40\text{ dBm}$; $T_{amb} = 25\text{ }^\circ\text{C}$; input matched to $50\ \Omega$ using a 6.8 nH inductor, see [Figure 3](#), unless otherwise specified.

Symbol	Parameter	Conditions	Min	Typ	Max	Unit
I_{CC}	supply current	$V_{I(ENABLE)} \geq 0.8\text{ V}$				
		$P_i < -40\text{ dBm}$	1.6	3.6	5.6	mA
		$P_i = -20\text{ dBm}$	-	4.6	-	mA
		$V_{I(ENABLE)} \leq 0.3\text{ V}$	-	-	1	μA
G_p	power gain	no jammer	15	17	19	dB
		$P_{jam} = -20\text{ dBm}$; $f_{jam} = 850\text{ MHz}$	-	17	-	dB
		$P_{jam} = -20\text{ dBm}$; $f_{jam} = 1850\text{ MHz}$	-	17	-	dB
RL_{in}	input return loss	$P_i < -40\text{ dBm}$	-	12	-	dB
		$P_i = -20\text{ dBm}$	-	12	-	dB
RL_{out}	output return loss	$P_i < -40\text{ dBm}$	-	10	-	dB
		$P_i = -20\text{ dBm}$	-	10	-	dB
ISL	isolation		-	22	-	dB
NF	noise figure	$P_i = -40\text{ dBm}$; no jammer [1][2]	-	0.7	1.25	dB
		$P_i = -40\text{ dBm}$; no jammer [2][3]	-	0.8	1.35	dB
		$P_{jam} = -20\text{ dBm}$; $f_{jam} = 850\text{ MHz}$ [3]	-	1.0	-	dB
		$P_{jam} = -20\text{ dBm}$; $f_{jam} = 1850\text{ MHz}$ [3]	-	1.4	-	dB
$P_{I(1dB)}$	input power at 1 dB gain compression	[2]	-14	-9	-	dBm
$IP3_i$	input third-order intercept point	[2][4]	-1	5	-	dBm
IMD3	third-order intermodulation distortion	input [4]	-	-98	-	dBm
K	Rollett stability factor		-	>1	-	-
t_{on}	turn-on time	time from $V_{I(ENABLE)}$ ON to 90 % of the gain	-	-	2	μs
t_{off}	turn-off time	time from $V_{I(ENABLE)}$ OFF to 10 % of the gain	-	-	1	μs

[1] PCB losses are subtracted.

[2] Guaranteed by device design, but not tested in production.

[3] Including PCB losses.

[4] $f_1 = 1713\text{ MHz}$; $f_2 = 1851\text{ MHz}$; $P_i = -20\text{ dBm}$ at f_1 ; $P_i = -65\text{ dBm}$ at f_2 .

Table 9. Characteristics at $V_{CC} = 2.85\text{ V}$

$f = 1575\text{ MHz}$; $V_{I(ENABLE)} \geq 0.8\text{ V}$; $P_i < -40\text{ dBm}$; $T_{amb} = 25\text{ }^\circ\text{C}$; input matched to $50\ \Omega$ using a 6.8 nH inductor, see [Figure 3](#); unless otherwise specified.

Symbol	Parameter	Conditions	Min	Typ	Max	Unit
I_{CC}	supply current	$V_{I(ENABLE)} \geq 0.8\text{ V}$				
		$P_i < -40\text{ dBm}$	1.6	3.6	5.6	mA
		$P_i = -20\text{ dBm}$	-	4.6	-	mA
		$V_{I(ENABLE)} \leq 0.3\text{ V}$	-	-	1	μA

Table 9. Characteristics at $V_{CC} = 2.85\text{ V}$...continued

$f = 1575\text{ MHz}$; $V_{I(ENABLE)} \geq 0.8\text{ V}$; $P_i < -40\text{ dBm}$; $T_{amb} = 25\text{ }^\circ\text{C}$; input matched to $50\ \Omega$ using a 6.8 nH inductor, see [Figure 3](#); unless otherwise specified.

Symbol	Parameter	Conditions	Min	Typ	Max	Unit
G_p	power gain	no jammer	15	17	19	dB
		$P_{jam} = -20\text{ dBm}$; $f_{jam} = 850\text{ MHz}$	-	17	-	dB
		$P_{jam} = -20\text{ dBm}$; $f_{jam} = 1850\text{ MHz}$	-	17	-	dB
RL_{in}	input return loss	$P_i < -40\text{ dBm}$	-	12	-	dB
		$P_i = -20\text{ dBm}$	-	12	-	dB
RL_{out}	output return loss	$P_i < -40\text{ dBm}$	-	10	-	dB
		$P_i = -20\text{ dBm}$	-	10	-	dB
ISL	isolation		-	22	-	dB
NF	noise figure	$P_i = -40\text{ dBm}$; no jammer [1][2]	-	0.7	1.25	dB
		$P_i = -40\text{ dBm}$; no jammer [2][3]	-	0.8	1.35	dB
		$P_{jam} = -20\text{ dBm}$; $f_{jam} = 850\text{ MHz}$ [3]	-	1.0	-	dB
		$P_{jam} = -20\text{ dBm}$; $f_{jam} = 1850\text{ MHz}$ [3]	-	1.4	-	dB
$P_{i(1dB)}$	input power at 1 dB gain compression	[2]	-14	-9	-	dBm
$IP3_i$	input third-order intercept point	[2][4]	-1	5	-	dBm
IMD3	third-order intermodulation distortion	input [4]	-	-98	-	dBm
K	Rollett stability factor		-	>1	-	-
t_{on}	turn-on time	time from $V_{I(ENABLE)}$ ON, to 90 % of the gain	-	-	2	μs
t_{off}	turn-off time	time from $V_{I(ENABLE)}$ OFF, to 10 % of the gain	-	-	1	μs

[1] PCB losses are subtracted.

[2] Guaranteed by device design, but not tested in production.

[3] Including PCB losses.

[4] $f_1 = 1713\text{ MHz}$; $f_2 = 1851\text{ MHz}$; $P_i = -20\text{ dBm}$ at f_1 ; $P_i = -65\text{ dBm}$ at f_2 .

13. Application information

13.1 GNSS LNA

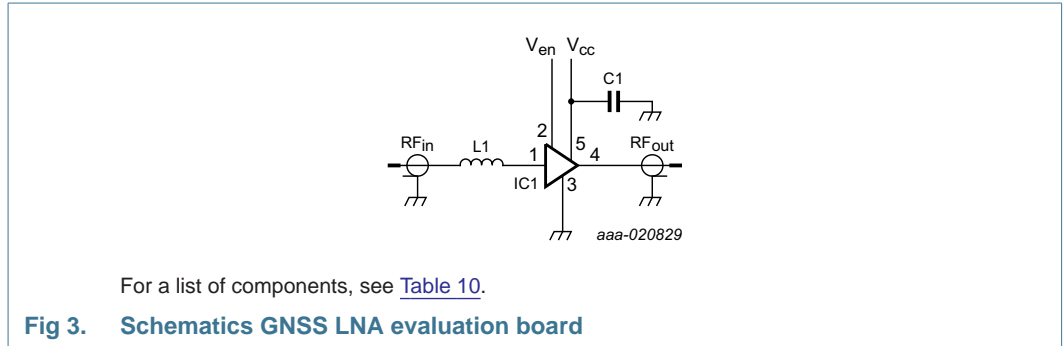


Table 10. List of components

For schematics, see [Figure 3](#).

Component	Description	Value	Remarks
C1	decoupling capacitor	1 nF	to suppress power supply noise
IC1	BGU8309	-	NXP Semiconductors
L1	high-quality matching inductor	6.8 nH	Murata LQW15A

14. Package outline

X2SON5: plastic thermal enhanced extremely thin small outline package; no leads; 5 terminals; body 0.8 x 0.8 x 0.32 mm

SOT1226-2

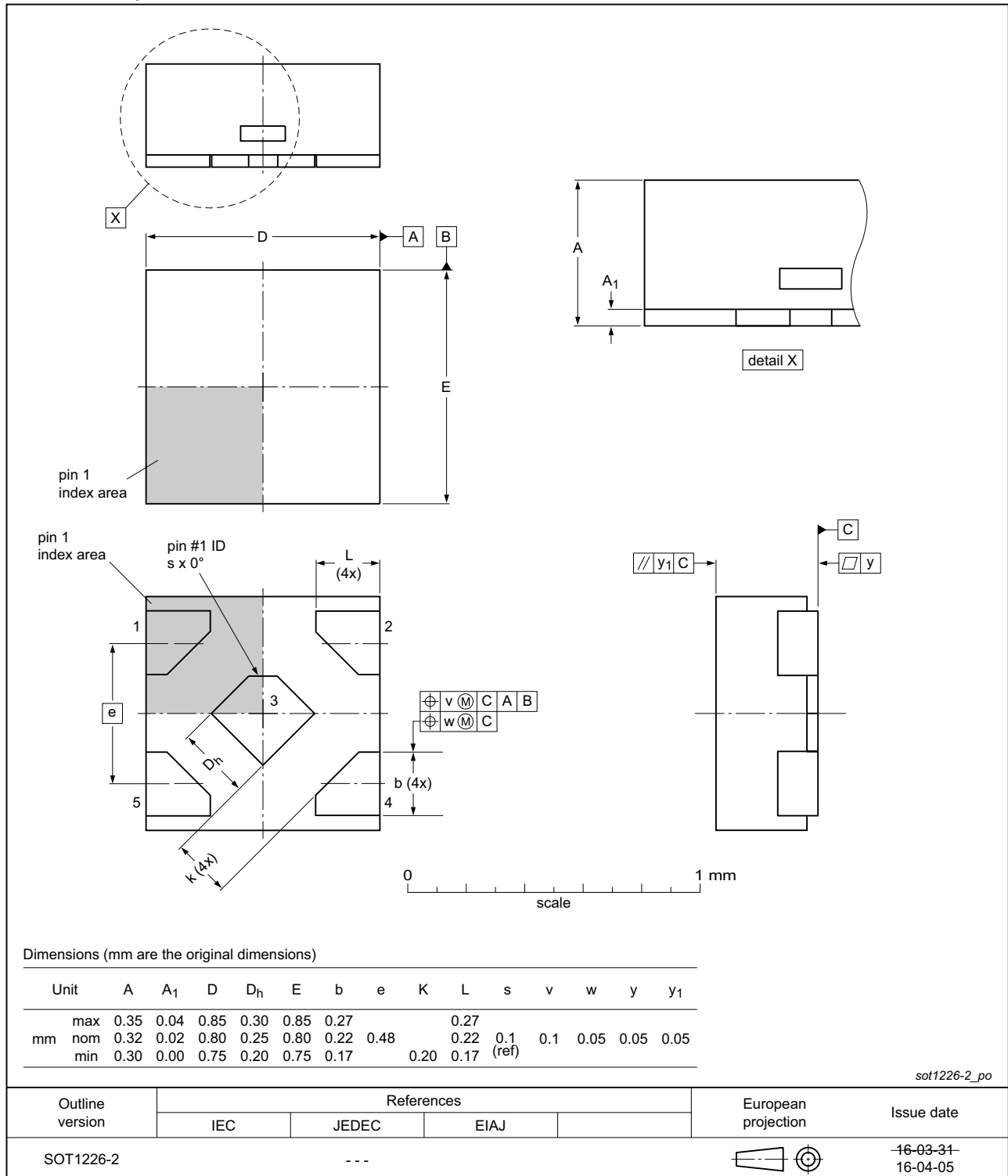


Fig 4. Package outline SOT1226-2(X2SON5)

15. Handling information

CAUTION



This device is sensitive to ElectroStatic Discharge (ESD). Observe precautions for handling electrostatic sensitive devices.

Such precautions are described in the *ANSI/ESD S20.20*, *IEC/ST 61340-5*, *JESD625-A* or equivalent standards.

16. Abbreviations

Table 11. Abbreviations

Acronym	Description
ESD	ElectroStatic Discharge
HBM	Human Body Model
GLONASS	Globalnaya Navigazionnaya Sputnikovaya Sistema
GNSS	Global Navigation Satellite System
GPS	Global Positioning System
LNA	Low-Noise Amplifier
RF	Radio Frequency
TDD	Time-Division Duplexing

17. Revision history

Table 12. Revision history

Document ID	Release date	Data sheet status	Change notice	Supersedes
BGU8309 v.4	20170118	Product data sheet	-	BGU8309 v.3
Modifications:	Section 1 : added GPS1401M according to our new naming convention			
BGU8309 v.3	20161102	Product data sheet	-	BGU8309 v.2
Modification:	<ul style="list-style-type: none"> • Table 8 on page 5: the minimum value for I_{CC}, $P_i < -40$ dBm has been changed to 1.6 • Table 8 on page 5: the maximum value for I_{CC}, $P_i < -40$ dBm has been changed to 5.6 • Table 8 on page 5: the minimum value for G_p, no jammer has been changed to 15 • Table 8 on page 5: the maximum value for G_p, no jammer has been changed to 19 • Table 8 on page 5: the maximum value for NF, $P_i = -40$ dBm; no jammer has been changed to 1.25 • Table 8 on page 5: the maximum value for NF, $P_i = -40$ dBm; no jammer has been changed to 1.35 • Table 8 on page 5: the minimum value for $P_{i(1dB)}$ has been changed to -14 • Table 8 on page 5: the minimum value for $IP3_i$ has been changed to -1 • Table 9 on page 5: the minimum value for I_{CC}, $P_i < -40$ dBm has been changed to 1.6 • Table 9 on page 5: the maximum value for I_{CC}, $P_i < -40$ dBm has been changed to 5.6 • Table 9 on page 5: the minimum value for G_p, no jammer has been changed to 15 • Table 9 on page 5: the maximum value for G_p, no jammer has been changed to 19 • Table 9 on page 5: the maximum value for NF, $P_i = -40$ dBm; no jammer has been changed to 1.25 • Table 9 on page 5: the maximum value for NF, $P_i = -40$ dBm; no jammer has been changed to 1.35 • Table 9 on page 5: the minimum value for $P_{i(1dB)}$ has been changed to -14 • Table 9 on page 5: the minimum value for $IP3_i$ has been changed to -1 			
BGU8309 v.2	20160808	Product data sheet	-	BGU8309 v.1
Modification:	<ul style="list-style-type: none"> • Status changed from objective to product. 			
BGU8309 v.1	20160718	Objective data sheet	-	-

18. Legal information

18.1 Data sheet status

Document status ^{[1][2]}	Product status ^[3]	Definition
Objective [short] data sheet	Development	This document contains data from the objective specification for product development.
Preliminary [short] data sheet	Qualification	This document contains data from the preliminary specification.
Product [short] data sheet	Production	This document contains the product specification.

[1] Please consult the most recently issued document before initiating or completing a design.

[2] The term 'short data sheet' is explained in section "Definitions".

[3] The product status of device(s) described in this document may have changed since this document was published and may differ in case of multiple devices. The latest product status information is available on the Internet at URL <http://www.nxp.com>.

18.2 Definitions

Draft — The document is a draft version only. The content is still under internal review and subject to formal approval, which may result in modifications or additions. NXP Semiconductors does not give any representations or warranties as to the accuracy or completeness of information included herein and shall have no liability for the consequences of use of such information.

Short data sheet — A short data sheet is an extract from a full data sheet with the same product type number(s) and title. A short data sheet is intended for quick reference only and should not be relied upon to contain detailed and full information. For detailed and full information see the relevant full data sheet, which is available on request via the local NXP Semiconductors sales office. In case of any inconsistency or conflict with the short data sheet, the full data sheet shall prevail.

Product specification — The information and data provided in a Product data sheet shall define the specification of the product as agreed between NXP Semiconductors and its customer, unless NXP Semiconductors and customer have explicitly agreed otherwise in writing. In no event however, shall an agreement be valid in which the NXP Semiconductors product is deemed to offer functions and qualities beyond those described in the Product data sheet.

18.3 Disclaimers

Limited warranty and liability — Information in this document is believed to be accurate and reliable. However, NXP Semiconductors does not give any representations or warranties, expressed or implied, as to the accuracy or completeness of such information and shall have no liability for the consequences of use of such information. NXP Semiconductors takes no responsibility for the content in this document if provided by an information source outside of NXP Semiconductors.

In no event shall NXP Semiconductors be liable for any indirect, incidental, punitive, special or consequential damages (including - without limitation - lost profits, lost savings, business interruption, costs related to the removal or replacement of any products or rework charges) whether or not such damages are based on tort (including negligence), warranty, breach of contract or any other legal theory.

Notwithstanding any damages that customer might incur for any reason whatsoever, NXP Semiconductors' aggregate and cumulative liability towards customer for the products described herein shall be limited in accordance with the *Terms and conditions of commercial sale* of NXP Semiconductors.

Right to make changes — NXP Semiconductors reserves the right to make changes to information published in this document, including without limitation specifications and product descriptions, at any time and without notice. This document supersedes and replaces all information supplied prior to the publication hereof.

Suitability for use — NXP Semiconductors products are not designed, authorized or warranted to be suitable for use in life support, life-critical or safety-critical systems or equipment, nor in applications where failure or malfunction of an NXP Semiconductors product can reasonably be expected to result in personal injury, death or severe property or environmental damage. NXP Semiconductors and its suppliers accept no liability for inclusion and/or use of NXP Semiconductors products in such equipment or applications and therefore such inclusion and/or use is at the customer's own risk.

Applications — Applications that are described herein for any of these products are for illustrative purposes only. NXP Semiconductors makes no representation or warranty that such applications will be suitable for the specified use without further testing or modification.

Customers are responsible for the design and operation of their applications and products using NXP Semiconductors products, and NXP Semiconductors accepts no liability for any assistance with applications or customer product design. It is customer's sole responsibility to determine whether the NXP Semiconductors product is suitable and fit for the customer's applications and products planned, as well as for the planned application and use of customer's third party customer(s). Customers should provide appropriate design and operating safeguards to minimize the risks associated with their applications and products.

NXP Semiconductors does not accept any liability related to any default, damage, costs or problem which is based on any weakness or default in the customer's applications or products, or the application or use by customer's third party customer(s). Customer is responsible for doing all necessary testing for the customer's applications and products using NXP Semiconductors products in order to avoid a default of the applications and the products or of the application or use by customer's third party customer(s). NXP does not accept any liability in this respect.

Limiting values — Stress above one or more limiting values (as defined in the Absolute Maximum Ratings System of IEC 60134) will cause permanent damage to the device. Limiting values are stress ratings only and (proper) operation of the device at these or any other conditions above those given in the Recommended operating conditions section (if present) or the Characteristics sections of this document is not warranted. Constant or repeated exposure to limiting values will permanently and irreversibly affect the quality and reliability of the device.

Terms and conditions of commercial sale — NXP Semiconductors products are sold subject to the general terms and conditions of commercial sale, as published at <http://www.nxp.com/profile/terms>, unless otherwise agreed in a valid written individual agreement. In case an individual agreement is concluded only the terms and conditions of the respective agreement shall apply. NXP Semiconductors hereby expressly objects to applying the customer's general terms and conditions with regard to the purchase of NXP Semiconductors products by customer.

No offer to sell or license — Nothing in this document may be interpreted or construed as an offer to sell products that is open for acceptance or the grant, conveyance or implication of any license under any copyrights, patents or other industrial or intellectual property rights.

Quick reference data — The Quick reference data is an extract of the product data given in the Limiting values and Characteristics sections of this document, and as such is not complete, exhaustive or legally binding.

Export control — This document as well as the item(s) described herein may be subject to export control regulations. Export might require a prior authorization from competent authorities.

Non-automotive qualified products — Unless this data sheet expressly states that this specific NXP Semiconductors product is automotive qualified, the product is not suitable for automotive use. It is neither qualified nor tested in accordance with automotive testing or application requirements. NXP Semiconductors accepts no liability for inclusion and/or use of non-automotive qualified products in automotive equipment or applications.

In the event that customer uses the product for design-in and use in automotive applications to automotive specifications and standards, customer (a) shall use the product without NXP Semiconductors' warranty of the

product for such automotive applications, use and specifications, and (b) whenever customer uses the product for automotive applications beyond NXP Semiconductors' specifications such use shall be solely at customer's own risk, and (c) customer fully indemnifies NXP Semiconductors for any liability, damages or failed product claims resulting from customer design and use of the product for automotive applications beyond NXP Semiconductors' standard warranty and NXP Semiconductors' product specifications.

Translations — A non-English (translated) version of a document is for reference only. The English version shall prevail in case of any discrepancy between the translated and English versions.

18.4 Trademarks

Notice: All referenced brands, product names, service names and trademarks are the property of their respective owners.

19. Contact information

For more information, please visit: <http://www.nxp.com>

For sales office addresses, please send an email to: salesaddresses@nxp.com

20. Contents

1	General description	1
2	Features and benefits	1
3	Applications	2
4	Quick reference data	2
5	Ordering information	2
6	Marking	2
7	Block diagram	3
8	Pinning information	3
8.1	Pinning	3
8.2	Pin description	3
9	Limiting values	4
10	Recommended operating conditions	4
11	Thermal characteristics	4
12	Characteristics	5
13	Application information	7
13.1	GNSS LNA	7
14	Package outline	8
15	Handling information	9
16	Abbreviations	9
17	Revision history	10
18	Legal information	11
18.1	Data sheet status	11
18.2	Definitions	11
18.3	Disclaimers	11
18.4	Trademarks	12
19	Contact information	12
20	Contents	13

Please be aware that important notices concerning this document and the product(s) described herein, have been included in section 'Legal information'.

© NXP Semiconductors N.V. 2017.

All rights reserved.

For more information, please visit: <http://www.nxp.com>

For sales office addresses, please send an email to: salesaddresses@nxp.com

Date of release: 18 January 2017

Document identifier: BGU8309