

# MC10H351

## Quad TTL/NMOS to PECL\* Translator

### Description

The MC10H351 is a quad translator for interfacing data between a saturated logic section and the PECL section of digital systems when only a +5.0 Vdc power supply is available. The MC10H351 has TTL/NMOS compatible inputs and PECL complementary open-emitter outputs that allow use as an inverting/non-inverting translator or as a differential line driver. When the common strobe input is at a low logic level, it forces all true outputs to the PECL low logic state ( $\approx +3.2$  V) and all inverting outputs to the PECL high logic state ( $\approx +4.1$  V).

The MC10H351 can also be used with the MC10H350 to transmit and receive TTL/NMOS information differentially via balanced twisted pair lines.

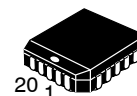
### Features

- Single +5.0 Power Supply
- All  $V_{CC}$  Pins Isolated On Chip
- Differentially Drive Balanced Lines
- $t_{pd} = 1.3$  nsec Typical
- These Devices are Pb-Free, Halogen Free and are RoHS Compliant



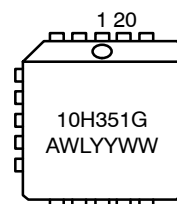
ON Semiconductor®

[www.onsemi.com](http://www.onsemi.com)



PLCC-20  
FN SUFFIX  
CASE 775-02

### MARKING DIAGRAMS\*



A = Assembly Location  
WL = Wafer Lot  
YY = Year  
WW = Work Week  
G = Pb-Free Package

\*For additional marking information, refer to Application Note [AND8002/D](#).

### ORDERING INFORMATION

| Device        | Package              | Shipping†       |
|---------------|----------------------|-----------------|
| MC10H351FNG   | PLCC-20<br>(Pb-Free) | 46 Units/Tube   |
| MC10H351FNR2G | PLCC-20<br>(Pb-Free) | 500/Tape & Reel |

†For information on tape and reel specifications, including part orientation and tape sizes, please refer to our Tape and Reel Packaging Specifications Brochure, [BRD8011/D](#).

# MC10H351

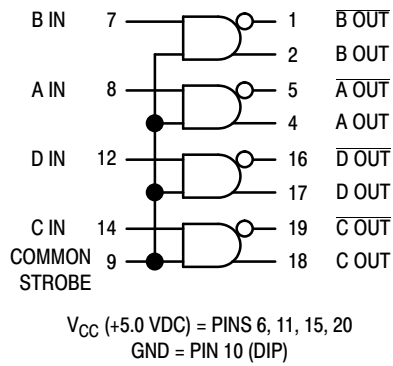


Figure 1. Logic Diagram

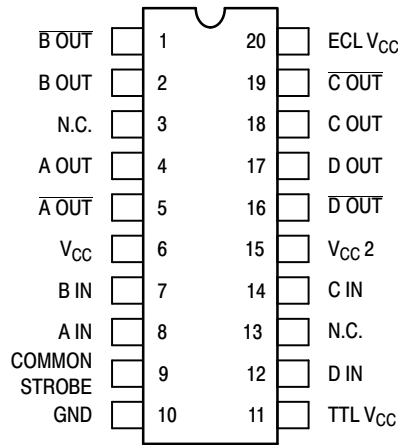


Figure 2. Dip Pin Assignment

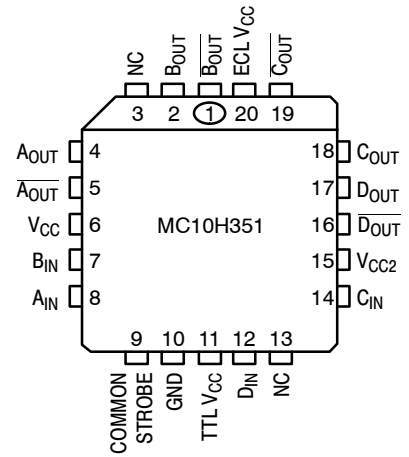


Figure 3. PLCC-20 Pin Assignment

Table 1. MAXIMUM RATINGS

| Symbol    | Characteristic                        | Rating        | Unit |
|-----------|---------------------------------------|---------------|------|
| $V_{CC}$  | Power Supply                          | 0 to +7.0     | Vdc  |
| $V_I$     | Input Voltage ( $V_{CC} = 5.0$ V)     | 0 to $V_{CC}$ | Vdc  |
| $I_{out}$ | Output Current<br>Continuous<br>Surge | 50<br>100     | mA   |
| $T_A$     | Operating Temperature Range           | 0 to +75      | °C   |
| $T_{stg}$ | Storage Temperature Range<br>Plastic  | -55 to +150   | °C   |

Stresses exceeding those listed in the Maximum Ratings table may damage the device. If any of these limits are exceeded, device functionality should not be assumed, damage may occur and reliability may be affected.

# MC10H351

**Table 2. ELECTRICAL CHARACTERISTICS** ( $V_{CC} = V_{CC1} = V_{CC2} = 5.0 \text{ V} \pm 5.0\%$ )†

| Symbol             | Characteristic                                       | 0°   |      | 25°  |      | 75°  |      | Unit          |
|--------------------|--|------|------|------|------|------|------|---------------|
|                    |  | Min  | Max  | Min  | Max  | Min  | Max  |               |
| ECL                | Power Supply   | -    | 50   | -    | 45   | -    | 50   | mA            |
| TTL                | Current  | -    | 20   | -    | 15   | -    | 20   | mA            |
| $I_R$<br>$I_{INH}$ | Reverse Current<br>Pins 7, 8, 12, 14                 | -    | 25   | -    | 20   | -    | 25   | $\mu\text{A}$ |
|                    | Pin 9  | -    | 100  | -    | 80   | -    | 100  |               |
| $I_F$<br>$I_{INL}$ | Forward Current<br>Pins 7, 8, 12, 14                 | -    | -0.8 | -    | -0.6 | -    | -0.8 | mA            |
|                    | Pin 9  | -    | -3.2 | -    | -2.4 | -    | -3.2 |               |
| $V_{(BR)in}$       | Input Breakdown Voltage                              | 5.5  | -    | 5.5  | -    | 5.5  | -    | Vdc           |
| $V_I$              | Input Clamp Voltage<br>( $I_{in} = -18 \text{ mA}$ ) | -    | -1.5 | -    | -1.5 | -    | -1.5 | Vdc           |
| $V_{OH}$           | High Output Voltage (Note 1.)                        | 3.98 | 4.16 | 4.02 | 4.19 | 4.08 | 4.27 | Vdc           |
| $V_{OL}$           | Low Output Voltage (1)                               | 3.05 | 3.37 | 3.05 | 3.37 | 3.05 | 3.37 | Vdc           |
| $V_{IH}$           | High Input Voltage                                   | 2.0  | -    | 2.0  | -    | 2.0  | -    | Vdc           |
| $V_{IL}$           | Low Input Voltage                                    | -    | 0.8  | -    | 0.8  | -    | 0.8  | Vdc           |

†Each MECL 10H™ series circuit has been designed to meet the dc specifications shown in the test table, after thermal equilibrium has been established. The circuit is in a test socket or mounted on a printed circuit board and transverse air flow greater than 500 lfpm is maintained. Outputs are terminated through a 50  $\Omega$  resistor to  $V_{CC} - 2.0 \text{ Vdc}$ .

\*Positive Emitter Coupled Logic

1. With  $V_{CC}$  at 5.0 V.  $V_{OH}/V_{OL}$  change 1:1 with  $V_{CC}$ .

**Table 3. AC PARAMETERS**

| Symbol    | Characteristic              | 0°  |     | 25° |     | 75° |     | Unit |
|-----------|-----------------------------|-----|-----|-----|-----|-----|-----|------|
|           |                             | Min | Max | Min | Max | Min | Max |      |
| $t_{pd}$  | Propagation Delay (Note 2)  | 0.4 | 2.2 | 0.4 | 2.2 | 0.4 | 2.1 | ns   |
| $t_r$     | Rise Time (20% to 80%)      | 0.4 | 1.9 | 0.4 | 2.0 | 0.4 | 2.1 | ns   |
| $t_f$     | Fall Time (80% to 20%)      | 0.4 | 1.9 | 0.4 | 2.0 | 0.4 | 2.1 | ns   |
| $f_{max}$ | Maximum Operating Frequency | 150 | -   | 150 | -   | 150 | -   | MHz  |

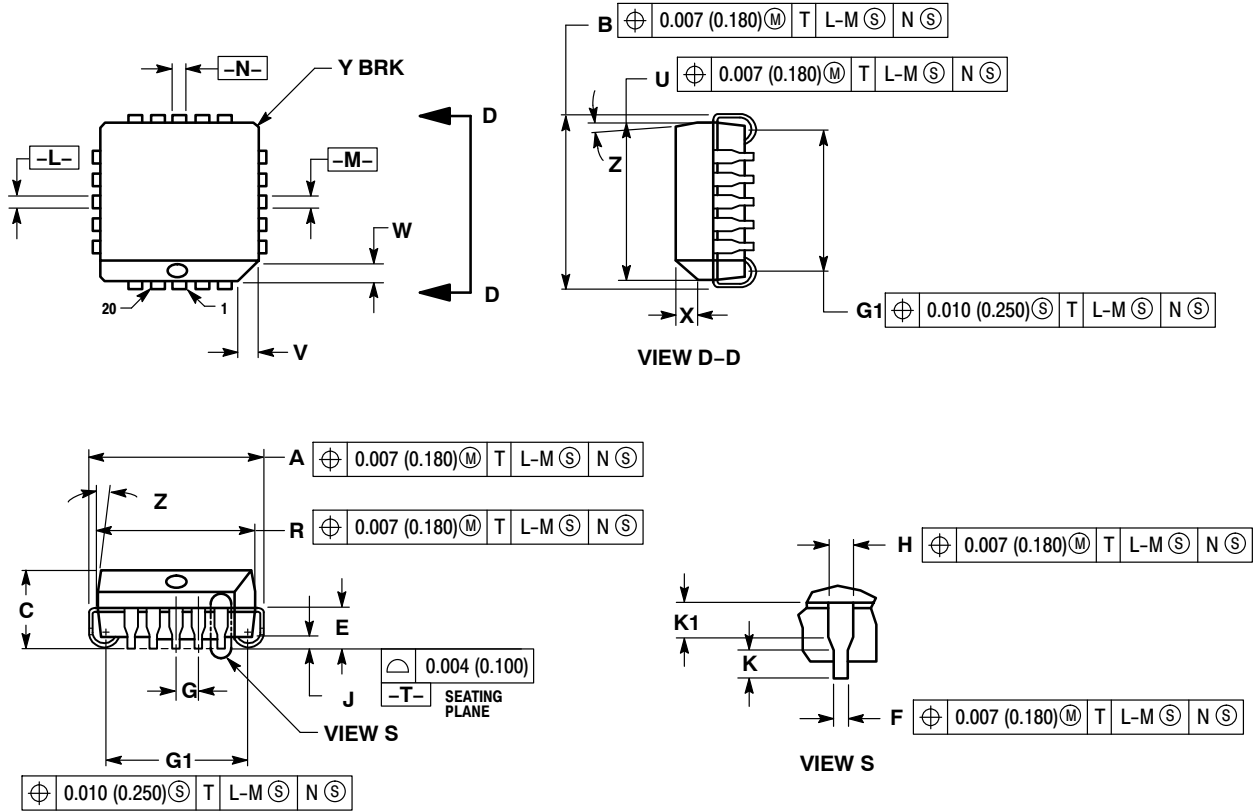
NOTE: Device will meet the specifications after thermal equilibrium has been established when mounted in a test socket or printed circuit board with maintained transverse airflow greater than 500 lfpm. Electrical parameters are guaranteed only over the declared operating temperature range. Functional operation of the device exceeding these conditions is not implied. Device specification limit values are applied individually under normal operating conditions and not valid simultaneously.

1. Propagation delay is measured on this circuit from +1.5 V on the input waveform to the 50% point on the output waveform.

# MC10H351

## PACKAGE DIMENSIONS

20 LEAD PLLC  
CASE 775-02  
ISSUE F




**NOTES:**

1. DIMENSIONS AND TOLERANCING PER ANSI Y14.5M, 1982.
2. DIMENSIONS IN INCHES.
3. DATUMS -L-, -M-, AND -N- DETERMINED WHERE TOP OF LEAD SHOULDER EXITS PLASTIC BODY AT MOLD PARTING LINE.
4. DIMENSION G1, TRUE POSITION TO BE MEASURED AT DATUM -T-, SEATING PLANE.
5. DIMENSIONS R AND U DO NOT INCLUDE MOLD FLASH. ALLOWABLE MOLD FLASH IS 0.010 (0.250) PER SIDE.
6. DIMENSIONS IN THE PACKAGE TOP MAY BE SMALLER THAN THE PACKAGE BOTTOM BY UP TO 0.012 (0.300). DIMENSIONS R AND U ARE DETERMINED AT THE OUTERMOST EXTREMES OF THE PLASTIC BODY EXCLUSIVE OF MOLD FLASH, TIE BAR BURRS, GATE BURRS AND INTERLEAD FLASH, BUT INCLUDING ANY MISMATCH BETWEEN THE TOP AND BOTTOM OF THE PLASTIC BODY.
7. DIMENSION H DOES NOT INCLUDE DAMBAR PROTRUSION OR INTRUSION. THE DAMBAR PROTRUSION(S) SHALL NOT CAUSE THE H DIMENSION TO BE GREATER THAN 0.037 (0.940). THE DAMBAR INTRUSION(S) SHALL NOT CAUSE THE H DIMENSION TO BE SMALLER THAN 0.025 (0.635).

| DIM | INCHES    |       | MILLIMETERS |       |
|-----|-----------|-------|-------------|-------|
|     | MIN       | MAX   | MIN         | MAX   |
| A   | 0.385     | 0.395 | 9.78        | 10.03 |
| B   | 0.385     | 0.395 | 9.78        | 10.03 |
| C   | 0.165     | 0.180 | 4.20        | 4.57  |
| E   | 0.090     | 0.110 | 2.29        | 2.79  |
| F   | 0.013     | 0.021 | 0.33        | 0.53  |
| G   | 0.050 BSC |       | 1.27 BSC    |       |
| H   | 0.026     | 0.032 | 0.66        | 0.81  |
| J   | 0.020     | ----  | 0.51        | ----  |
| K   | 0.025     | ----  | 0.64        | ----  |
| R   | 0.350     | 0.356 | 8.89        | 9.04  |
| U   | 0.350     | 0.356 | 8.89        | 9.04  |
| V   | 0.042     | 0.048 | 1.07        | 1.21  |
| W   | 0.042     | 0.048 | 1.07        | 1.21  |
| X   | 0.042     | 0.056 | 1.07        | 1.42  |
| Y   | ----      | 0.020 | ----        | 0.50  |
| Z   | 2° 10°    |       | 2° 10°      |       |
| G1  | 0.310     | 0.330 | 7.88        | 8.38  |
| K1  | 0.040     | ----  | 1.02        | ----  |

# MC10H351

MECL is a trademark of Semiconductor Components Industries, LLC (SCILLC) or its subsidiaries in the United States and/or other countries.

ON Semiconductor and  are trademarks of Semiconductor Components Industries, LLC dba ON Semiconductor or its subsidiaries in the United States and/or other countries. ON Semiconductor owns the rights to a number of patents, trademarks, copyrights, trade secrets, and other intellectual property. A listing of ON Semiconductor's product/patent coverage may be accessed at [www.onsemi.com/site/pdf/Patent-Marking.pdf](http://www.onsemi.com/site/pdf/Patent-Marking.pdf). ON Semiconductor reserves the right to make changes without further notice to any products herein. ON Semiconductor makes no warranty, representation or guarantee regarding the suitability of its products for any particular purpose, nor does ON Semiconductor assume any liability arising out of the application or use of any product or circuit, and specifically disclaims any and all liability, including without limitation special, consequential or incidental damages. Buyer is responsible for its products and applications using ON Semiconductor products, including compliance with all laws, regulations and safety requirements or standards, regardless of any support or applications information provided by ON Semiconductor. "Typical" parameters which may be provided in ON Semiconductor data sheets and/or specifications can and do vary in different applications and actual performance may vary over time. All operating parameters, including "Typicals" must be validated for each customer application by customer's technical experts. ON Semiconductor does not convey any license under its patent rights nor the rights of others. ON Semiconductor products are not designed, intended, or authorized for use as a critical component in life support systems or any FDA Class 3 medical devices or medical devices with a same or similar classification in a foreign jurisdiction or any devices intended for implantation in the human body. Should Buyer purchase or use ON Semiconductor products for any such unintended or unauthorized application, Buyer shall indemnify and hold ON Semiconductor and its officers, employees, subsidiaries, affiliates, and distributors harmless against all claims, costs, damages, and expenses, and reasonable attorney fees arising out of, directly or indirectly, any claim of personal injury or death associated with such unintended or unauthorized use, even if such claim alleges that ON Semiconductor was negligent regarding the design or manufacture of the part. ON Semiconductor is an Equal Opportunity/Affirmative Action Employer. This literature is subject to all applicable copyright laws and is not for resale in any manner.

## PUBLICATION ORDERING INFORMATION

### LITERATURE FULFILLMENT:

Literature Distribution Center for ON Semiconductor  
19521 E. 32nd Pkwy, Aurora, Colorado 80011 USA  
**Phone:** 303-675-2175 or 800-344-3860 Toll Free USA/Canada  
**Fax:** 303-675-2176 or 800-344-3867 Toll Free USA/Canada  
**Email:** [orderlit@onsemi.com](mailto:orderlit@onsemi.com)

**N. American Technical Support:** 800-282-9855 Toll Free  
USA/Canada  
**Europe, Middle East and Africa Technical Support:**  
Phone: 421 33 790 2910  
**Japan Customer Focus Center**  
Phone: 81-3-5817-1050

**ON Semiconductor Website:** [www.onsemi.com](http://www.onsemi.com)  
**Order Literature:** <http://www.onsemi.com/orderlit>  
For additional information, please contact your local  
Sales Representative