



FEATURES

- ▶ Low-cost, high-performance replacement for many OEM DPMs
- ▶ Optional RED or GREEN backlighting
- ▶ Mounting choices:
 - Window mount for custom OEM
 - Surface mount with minimum space behind the panel
- ▶ Low power: choice of 180µA (9V, ±5V) or 2.5mA (+5V)
- ▶ Space-saving design: only 1" (25 mm) deep
- ▶ Occupies less than 2.5 X 1.1 inches of front panel space
- ▶ 3½ digits with high-contrast LCD
- ▶ Optional loop powered 4-20mA process inputs available (DK590)

SPECIFICATIONS

DISPLAY

Digits: 3 ½ digits (±1999 counts)
 Type: 0.5" (12mm) high-contrast reflective LCD
 Backlighting: Optional Red Negative (red numbers/black background)
 Optional Green Negative (green numbers/black background)
 Optional Green Positive (black numbers/green background)
 automatic, "-" displayed
 Decimal Points: 3 position, user-selectable
 Overrange: three lower order digits blank for inputs >1999 & < -1999
 Hold: available OEM option, contact factory

INPUTS

Ranges: ±200.0 mV, ±2.000 V, ±20.00 VDC
 Configuration: bipolar & differential
 Protection: ±350 VDC, (±100 VDC on 200 mV range)
 Impedance: >10 MΩ, (>1 MΩ on 20 V range)

PERFORMANCE

Accuracy: ±(0.1% + 1 count) typical
 ±(0.1% + 2 counts) maximum
 Conversion Rate: 2.5 per second
 Normal Mode Rejection: >30 dB @ 60 Hz
 Common Mode Range: ±1 VDC
 Common Mode Rej.: >86 dB
 Zero Adjustment: automatic
 Warmup: 10 minutes typical
 Temperature Coeff.: ±100 ppm per °C typical

ENVIRONMENT

Operating Range: 0 to 50 °C
 Storage Range: -10 to 70 °C

POWER SUPPLY

5V powered: +5 VDC (±5%) at 2.5 mA
 9V(±5V) powered: +7.2 to +12 V at 180 µA
 Optional Backlight: +5 VDC at 100 mA typical

MOUNTING

surface or window mount

CONNECTION

13 pins, 0.025" square on 0.1" centers - pin 3 missing

ORDERING INFO

PART NUMBER	BACKLIGHT COLOR	METER INPUT	METER POWER	BACKLIGHT POWER
DK101NO BACKLIGHT200mV9VNONE
DK102NO BACKLIGHT2V9VNONE
DK103NO BACKLIGHT20V9VNONE
DK301NO BACKLIGHT200mV5VNONE
DK302NO BACKLIGHT2V5VNONE
DK303NO BACKLIGHT20mV5VNONE
DK311POS GREEN200mV9V5VDC
DK312POS GREEN2V9V5VDC
DK331POS GREEN200mV5V5VDC
DK332POS GREEN2V5V5VDC
DK411NEG GREEN200mV9V5VDC
DK412NEG GREEN2V9V5VDC
DK431NEG GREEN200mV5V5VDC
DK432NEG GREEN2V5V5VDC
DK511NEG RED200mV9V5VDC
DK512NEG RED2V9V5VDC
DK531NEG RED200mV5V5VDC
DK532NEG RED2V5V5VDC

ACCESSORIES

J1C4	4 Pin Connector / Wire Assembly
J1C13	13 Pin Connector / Wire Assembly
PW2-5	Regulated 120V AC to 5V DC Power Supply
PW2-12	Regulated 120V AC to 12V DC Power Supply
CVC	Calibrator

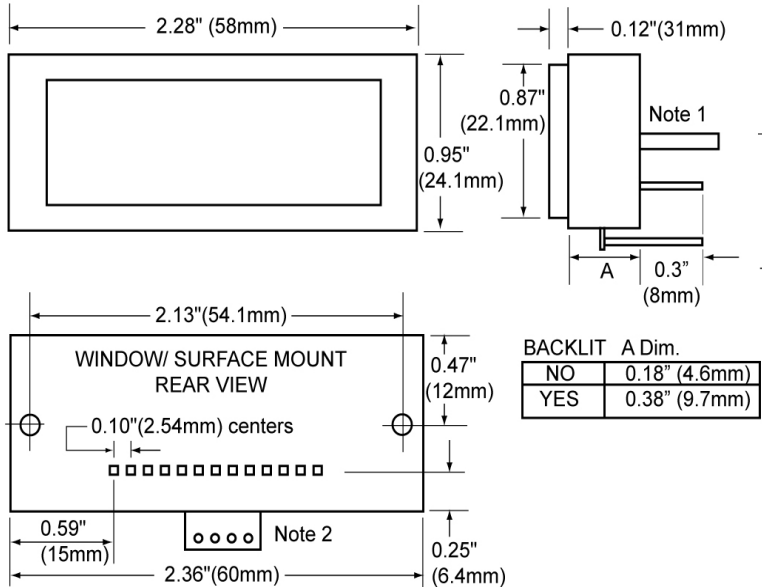


Specifications Installation and Operating Instructions
LCD Digital Panel Meters
 Low Cost 3½ Digit LCD Display

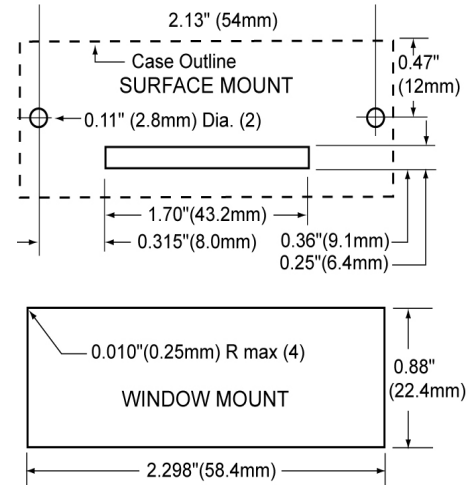
DK100/300



WINDOW/SURFACE MOUNT DIMENSIONS



PANEL CUTOUTS



WIRING CONNECTIONS

PIN # PIN NAME DESCRIPTION

1	V+	POSITIVE SUPPLY CONNECTION
2	V-	NEGATIVE SUPPLY CONNECTION
3	NC	NO PIN
4	GND	NEG PWR FOR +5V DPMS
5	COM	ANALOG COMMON
6	INLO	DISPLAY INPUTS: DISPLAY IS NEGATIVE
7	INHI	IF INHI IS LOWER THAN INLO
8	RFL (CLK)	NEGATIVE REFERENCE INPUT (AND OPTIONAL HOLD)
9	RFH	POSITIVE REFERENCE INPUT
10	RDH	INTERNAL REFERENCE OUTPUT
11	D3	DECIMAL POINT = 1XX.X*
12	D2	DECIMAL POINT = 1X.XX*
13	D1	DECIMAL POINT = 1.XXX*

*CONNECT TO PIN 1