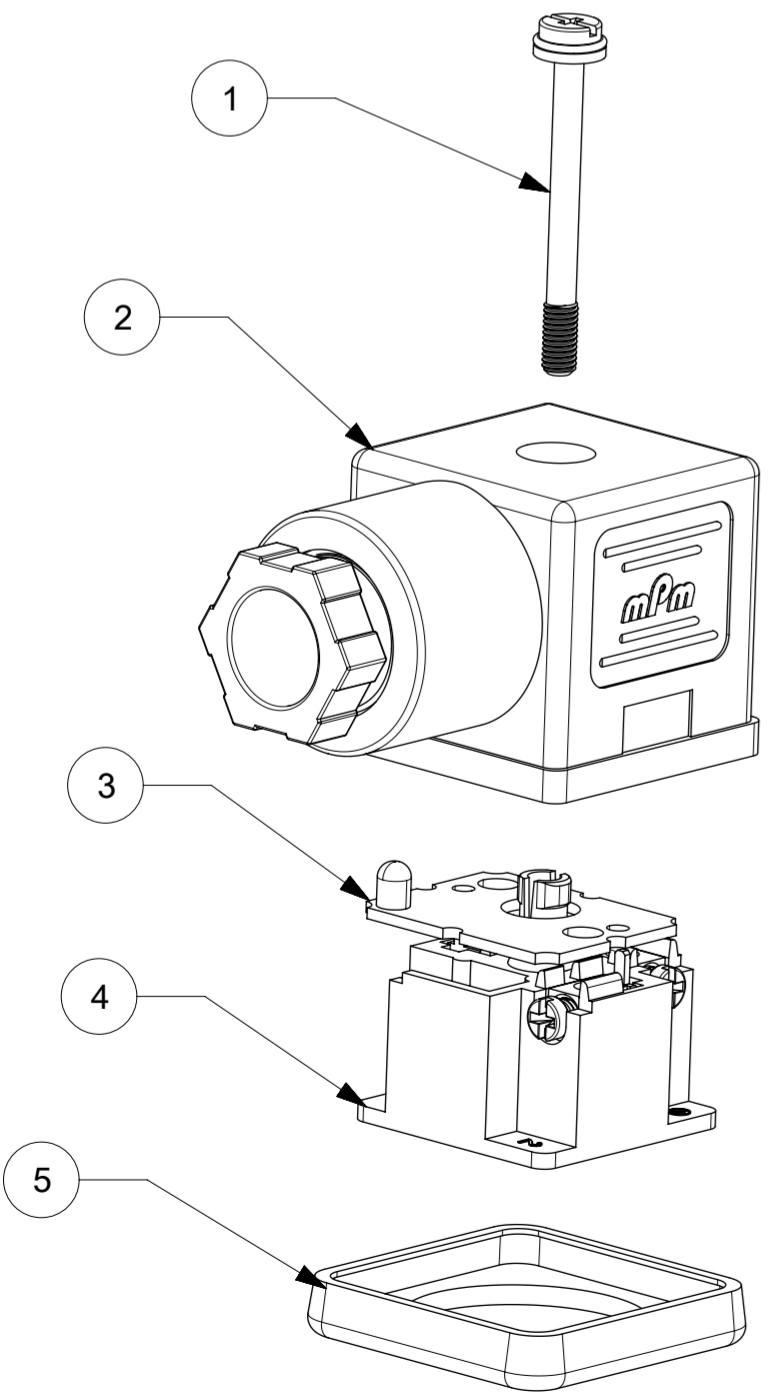


# S18 3 09 T A1 2 2 \*\*

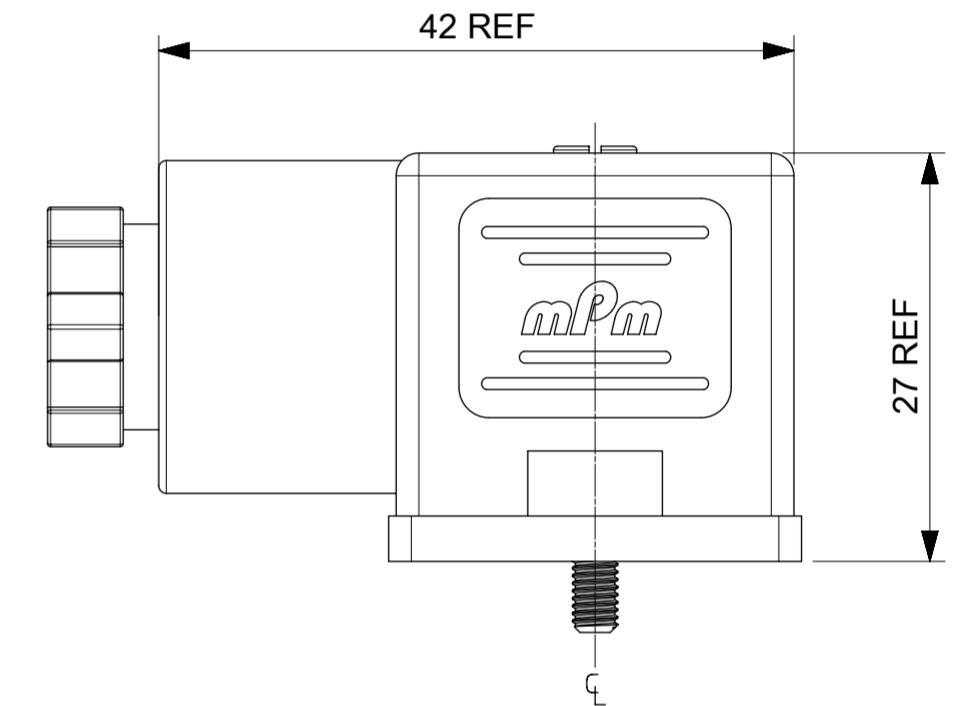
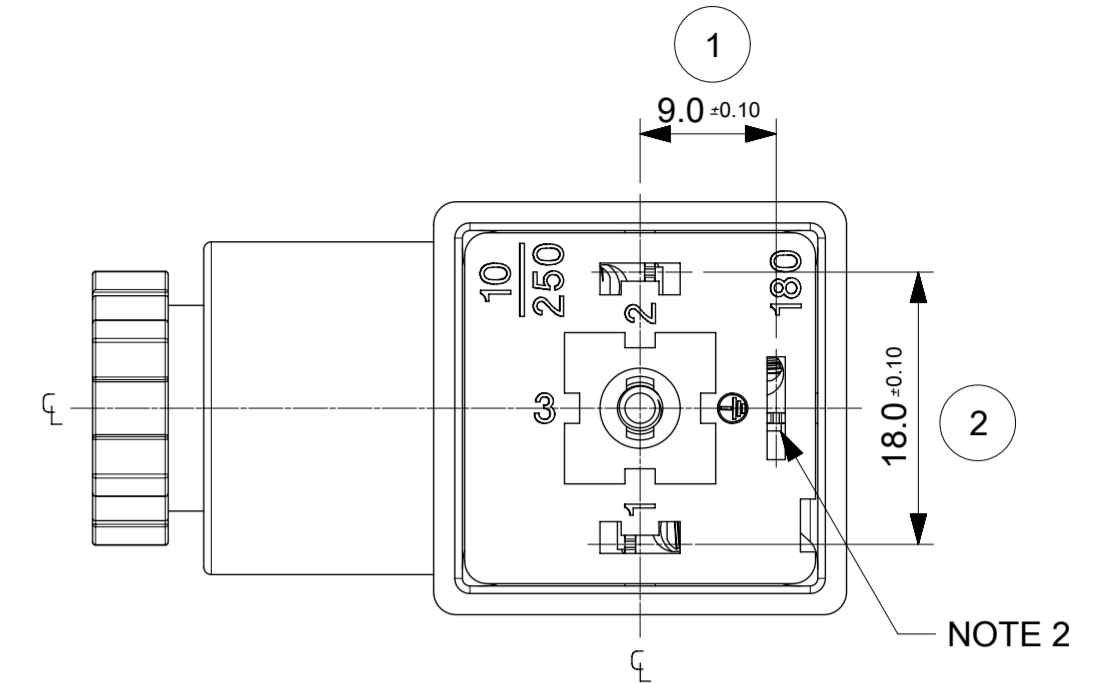
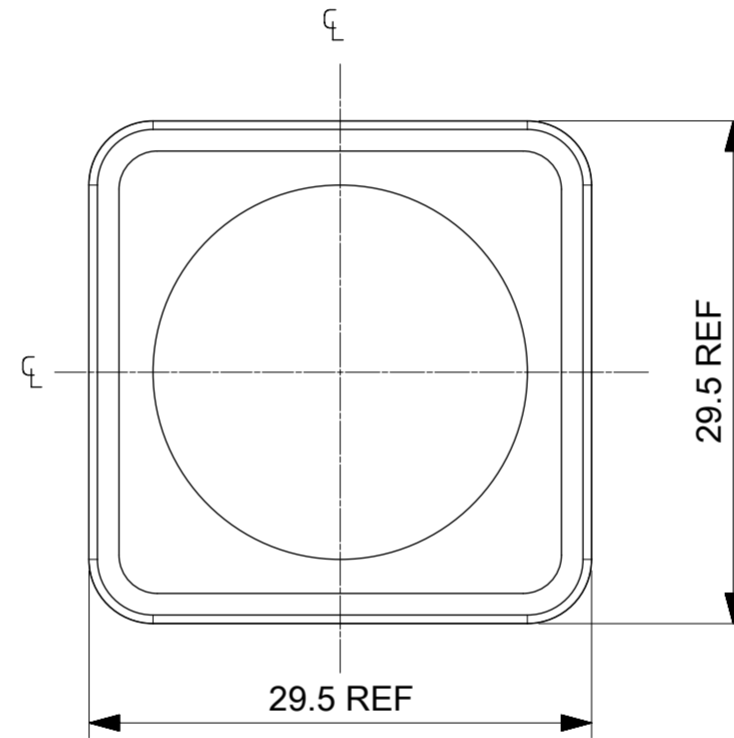
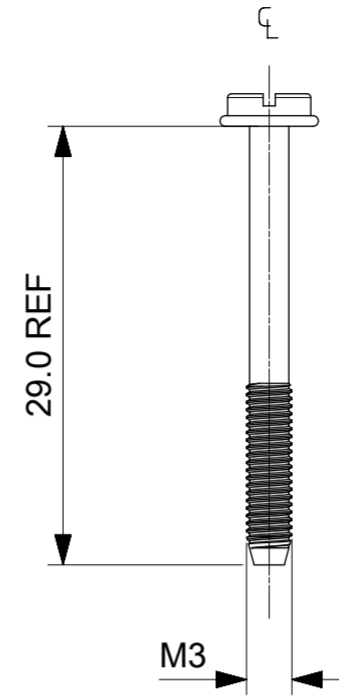
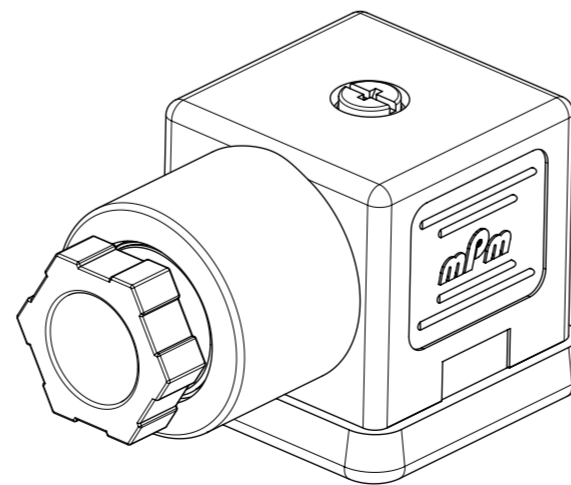
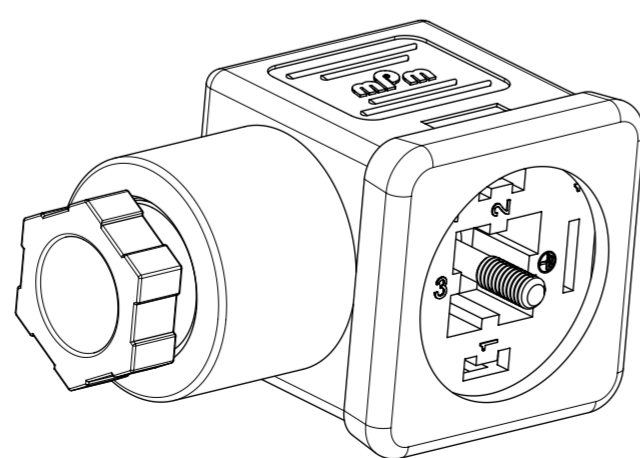
SERIES \_\_\_\_\_  
 S18= INTERNAL THREAD FORM A  
 POLES \_\_\_\_\_  
 2= 2 POLE & 3= 3 POLE  
 THREAD \_\_\_\_\_  
 09= PG9, 11= PG11, M6=M16x1.5, M0= M20x1.5, 12= 1/2" GAS 13= 1/2" NPTF  
 MATERIAL AND HOUSING COLOUR \_\_\_\_\_  
 G= PA6 GRAY, N= PA6 BLACK, W= PA6 BLACK V0, T= PA12 TRANSPARENT,  
 B= PA6 WHITE  
 CIRCUIT \_\_\_\_\_  
 SEE DETAILS IN CATALOGUE  
 VOLTAGE \_\_\_\_\_  
 SEE DETAILS IN CATALOGUE  
 SCREW AND GASKET \_\_\_\_\_

1= NBR PROFILE GASKET & SCREW  
 2= NBR FLAT GASKET & SCREW  
 3= WHITE SILICON PROFILE GASKET & SCREW  
 4= WHITE SILICON FLAT GASKET & SCREW  
 A= NBR PROFILE GASKET & SCREW +2mm  
 B= NBR FLAT GASKET & SCREW +2mm  
 P= SCREW WITH GROMMET (IP67) &  
 NBR INTEGRATED GASKET ASSEMBLED

NON STANDARD COMPONENTS  
 14= PACKED IN NEUTRAL BAG  
 23= FULLY MOUNTED  
 54= WITH PIN 3 AS EARTH  
 65= SPECIAL GROMMET  
 67= NEUTRAL PACKAGING  
 84= TAMPO PRINTING ON DIODE  
 3F= 24DC W/O TAMPO PRINTING  
 5J= BOXES OF 100  
 5N= PACKED IN BOXES OF 200  
 6U= GI BY500-800 DIODE  
 AF= CENTRE SCREW MOUNTED  
 AG= DIODE IN4948  
 P7= IP67 COMPLIANT  
 SA= UL LISTED PART  
 CZ= GROMMET 4 DISCRETE WIRES



ITEM	DESCRIPTION
1	SCREW
2	COVER ASSEMBLY
3	PCB
4	INSERT ASSEMBLY
5	GASKET



### NOTES

- PLEASE SEE EXCEL SHEET 1210640002\_PDP FOR CURRENTLY CONFIGURED PART NUMBERS.  
 FOR SPECIFIC PART NUMBERS PLEASE CONTACT SALES OR CONSULT THE INTELLIGENT PART NUMBER ON THE TOP LEFT OF THIS PAGE.
- EARTH POSITION SHOWN, H12.
- FOR PACKAGING SEE PACKAGING SPEC PK-121064-S18
- PRODUCT SPEC: SEE PS-121201-001

LAST INSPECTION NUMBER 2

2016/12/16		2016/12/22		GENERAL TOLERANCES (UNLESS SPECIFIED)		DIMENSION UNITS		SCALE				
AE		REV		4 PLACES ±		MM		1.5:1				
108491		STGRIFIN		3 PLACES ±		DRWN BY		DATE		PRODUCT CUSTOMER DRAWING		
TCLEARY		STGRIFIN		2 PLACES ± 0.1		BCAFFREY		2016/04/11		SERIES		
TCLEARY		STGRIFIN		1 PLACE ± 0.2		CHK'D BY		DATE		MATERIAL NUMBER		
TCLEARY		STGRIFIN		0 PLACES ±		APPR BY		DATE		CUSTOMER		
TCLEARY		STGRIFIN		DRAFT WHERE APPLICABLE MUST REMAIN WITHIN DIMENSIONS		STGRIFIN		2016/04/12		121064		
AE		REV		A2		DRAWING SIZE		THIRD ANGLE PROJECTION		SEE 1210640002_PDP		
AE		REV		A2		A2		THIRD ANGLE PROJECTION		GENERAL MARKET		
AE		REV		A2		A2		THIRD ANGLE PROJECTION		DOCUMENT NUMBER		
AE		REV		A2		A2		THIRD ANGLE PROJECTION		SD-121064-002		
AE		REV		A2		A2		THIRD ANGLE PROJECTION		DOC TYPE		
AE		REV		A2		A2		THIRD ANGLE PROJECTION		PSD		
AE		REV		A2		A2		THIRD ANGLE PROJECTION		DOC PART		
AE		REV		A2		A2		THIRD ANGLE PROJECTION		000		
AE		REV		A2		A2		THIRD ANGLE PROJECTION		SHEET NUMBER		
AE		REV		A2		A2		THIRD ANGLE PROJECTION		1 OF 1		