



MATERIAL

Transparent polyamide based (PA-T) technopolymer. Highly resistant to shocks, solvents, oils with additives, aliphatic and aromatic hydrocarbons, petrol, naphtha, phosphoric esters.

Avoid contact with alcohol or detergents containing alcohol.

The special technopolymer used for HCX-BW-SST column level indicator allows to use it even in circuits working with very hot water and prevents milk effect on the transparent surface.

SCREWS, NUTS AND WASHERS

AISI 303 stainless steel screws, AISI 304 stainless steel nuts and washers.

PACKING RINGS

FKM type VITON®*O-Ring.

Suggested roughness of the packing ring application surface Ra = 3 µm.

CONTRAST SCREEN

White lacquered aluminium. The housing, in the appropriate external rear slot, guarantees the best protection from direct contact with fluid.

It can be taken out from the inclined side, before assembly to allow the insertion of level lines or words.

MOUNTING

When fitting is not possible from the inside of the reservoir and the walls are not thick enough, the screws can be used together with Fast Mounting Kit (see page 1773)

MAXIMUM CONTINUOUS WORKING TEMPERATURE

80°C with peaks of 90°C.

FEATURES AND PERFORMANCES

Ultrasound welding to guarantee a perfect seal.

Maximum fluid level visibility even from side positions.

Lens effect for a better visibility of the fluid level.

TECHNICAL DATA

In laboratory tests carried out with mineral oil type CB68 (according to ISO 3498) at 23°C for a limited period of time, the weld stood up to 10 bar.

For use with other fluids and under different pressure and temperature conditions, please contact ELESA Technical Department.

In any case we suggest to verify the suitability of the product under the actual working conditions.

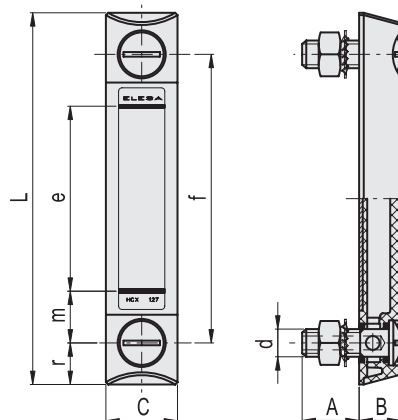
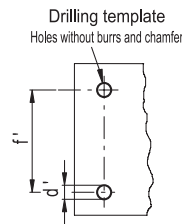
SPECIAL EXECUTIONS ON REQUEST

- Level indicators with SUPER-technopolymer protection frame.
- Indicators with two red ball-shaped floats (only for the execution without thermometer).

*Registered trademark by DuPont Dow Elastomers.



ELESA Original design



Conversion Table	
1 mm = 0.039 inch	
f	
mm	inch
76	2.99
127	5.00
254	10.00

Code	Description	f	d	A	B	C	L	e	m	r	d ^{±0.2}	f ^{±0.2}	C# [Nm]	⚖
11345	HCX.76-BW-SST-M10	76	M10	22	16	27	107	40	18	15.5	10.5	76	8	87
11355	HCX.127-BW-SST-M12	127	M12	23	18	31	161	80	23	17	12.5	127	8	138
11365	HCX.254-BW-SST-M12	254	M12	21	18	35	291	203	26	18.5	12.5	254	8	185

Maximum tightening torque.

