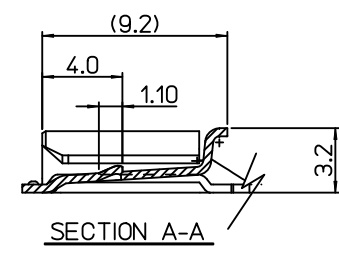
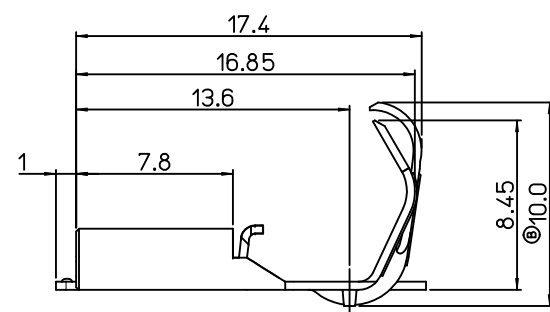
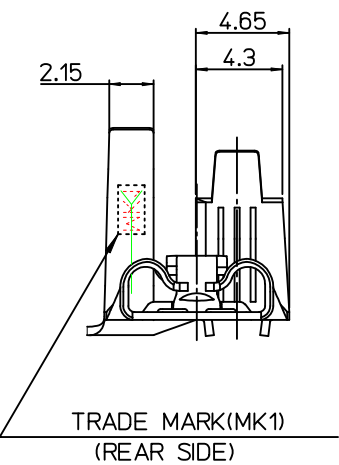


NOTES.

1. MATERIAL : BRASS
2. FINISH : PRE-TIN PLATED
1.0 μ m TIN PLATING.
OVERALL 0.3 μ m COPPER PLATING
3. MATED HOUSING : 49837-011*
4. MATING TAB : 0.8T
5. APPLICABLE WIRE RANGE : AWG#12~#18
6. PRODUCT SPECIFICATION : PS-49838-001
7. PACKING SPECIFICATION : PK-49838-001
8. CRIMPING SPECIFICATION : CS-49838-001



REVISED EC NO: KOR2010-0144 DRAWN: JHPARK01 CHKD: 2010/03/29 APPR: YUNSIKKIM 2010/03/30	QUALITY SYMBOLS	GENERAL TOLERANCES (UNLESS SPECIFIED)	DIMENSION STYLE	SCALE	DESIGN UNITS	THIRD ANGLE PROJECTION
	$\nabla = 0$ $\sphericalangle = 0$	mm INCH	MM ONLY	1:1	METRIC	
	4 PLACES \pm --- \pm --- 3 PLACES \pm --- \pm --- 2 PLACES ± 0.30 \pm --- 1 PLACE ± 0.30 \pm --- ANGULAR $\pm 1^\circ$	DRAWN BY: JB. JIN CHECKED BY: WY. YANG APPROVED BY: EH. JUNG DATE: 2007/04/18 DATE: 2007/04/18 DATE: 2007/04/18	TITLE	.250 MP-LOCK FLAG TERMINAL(MEX)		
	DRAFT WHERE APPLICABLE MUST REMAIN WITHIN DIMENSIONS	MATERIAL NO. 498389102	MOLEX INCORPORATED DOCUMENT NO. SD-49838-001	SHEET NO.	1 OF 01	