



**Electrical Specifications**

**RX Center Frequency:** 2050 MHz  
**TX Center Frequency:** 2250 MHz  
**Bandwidth:** 100 MHz  
**Insertion Loss:** 1.0 dB Max  
**Ripple in BW:** 0.5 dB Min  
**Return Loss:** 14 dB Min  
**RX Attenuation:** >25 dB @ 2200~2300 MHz  
**TX Attenuation:** >43 dB @ 2000~2100 MHz  
**In/Out Impedance:** 50 Ω  
**Input Power:** 2 W

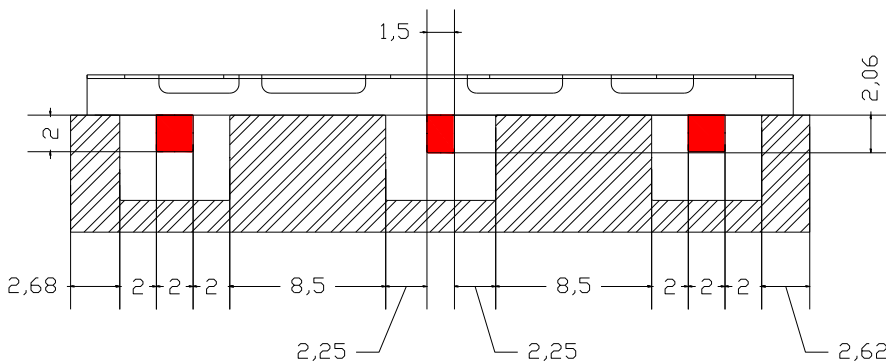
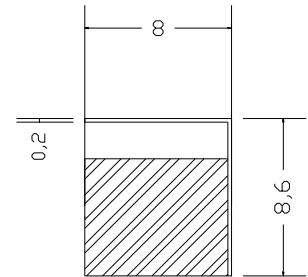
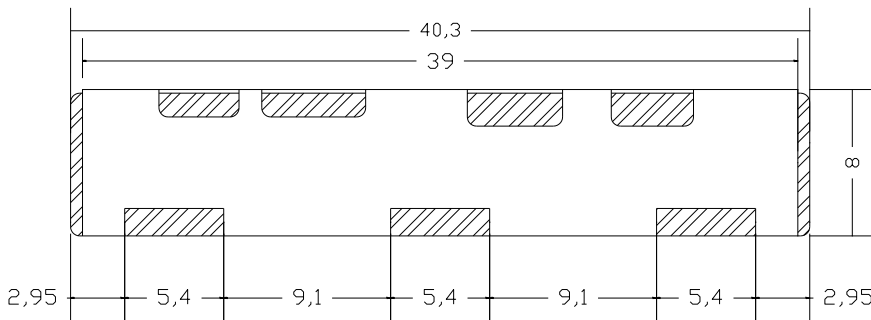
**Mechanical**

**Mounting Method:** SMT  
**Dimensions:** 40.3 x 8 x 8 mm

**Environmental**

**Operating Temperature:** 0 to +50° C  
**Storage Temperature:** -20 to +70° C

**Outline Drawing:**



Unit : mm  
Tolerance : ±0.3

- : I / O PORT
- : GROUND



### Foot Print:

