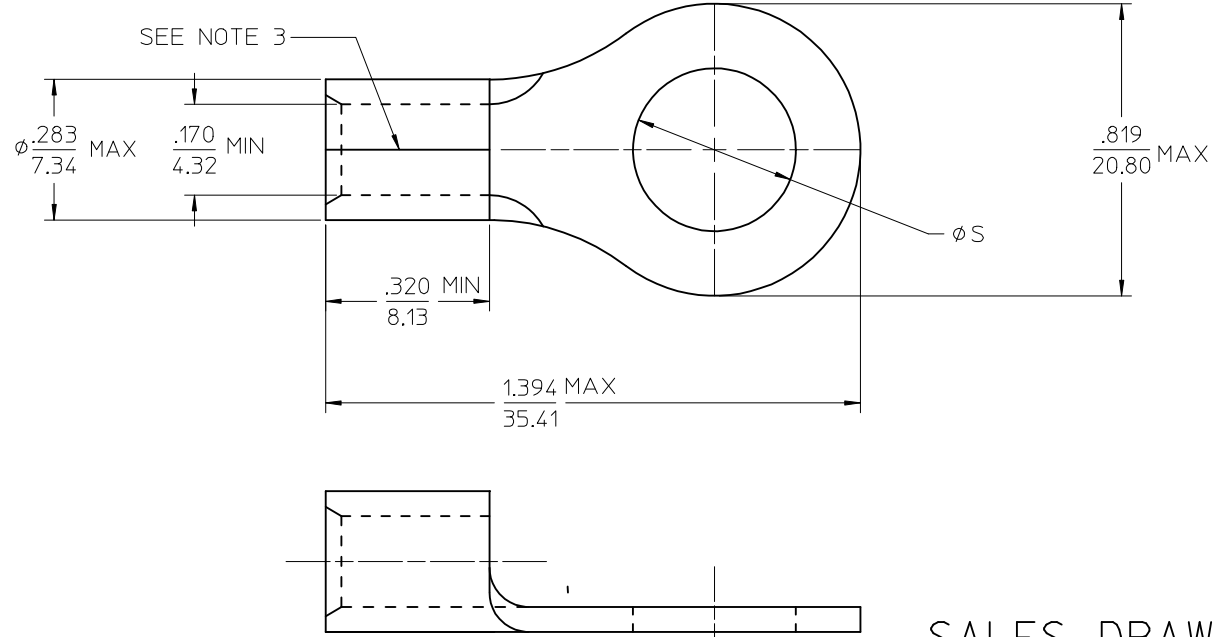
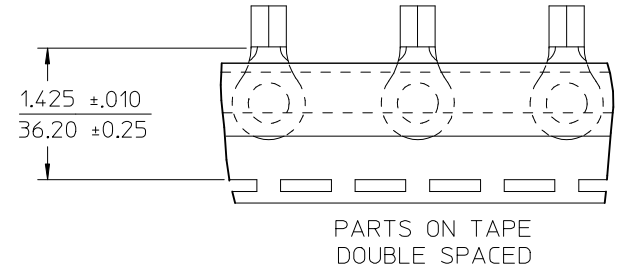


MATERIAL NUMBER	ENGINEERING NUMBER	STUD SIZE	ϕS ±.005/±0.13	PACKAGING
191930178	D-352-10	10	.198/5.03	LOOSE PIECE
191930182	D-352-14	1/4	.265/6.73	
191930185	D-352-56	5/16	.328/8.33	
191930184	D-352-38	3/8	.390/9.91	
191930187	D-352-76	7/16	.453/11.51	
191930179	D-352-12	1/2	.515/13.08	TAPE MOUNTED
191930186	D-352-58	5/8	.656/16.66	
191930189	D-352-76T	7/16	.453/11.51	
191930181	D-352-12T	1/2	.515/13.08	



SALES DRAWING

- NOTES:
1. MATERIAL: COPPER .050/1.27 THK (REF).
PLATING: ELECTROPLATE TIN
 2. ALL DIMENSIONS IN INCHES/(MM).
 3. BRAZED SEAM.
 4. TERMINAL INDICATED MUST MEET MS/AS-20659 TYPE 2 REQUIREMENTS.
 5. PART IS ROHS COMPLIANT.

TYPO ON 1/4 STUD EC NO: IPG2015-1900 DRWNG: GROJASO1 2015/05/15 CHKD: JMAGNEIL 2015/05/15 APPR: JMAGNEIL 2015/05/28 REV: A2	QUALITY SYMBOLS ▽=0 ▽7=0	GENERAL TOLERANCES (UNLESS SPECIFIED) <table border="1"> <thead> <tr> <th></th> <th>mm</th> <th>INCH</th> </tr> </thead> <tbody> <tr> <td>4 PLACES</td> <td>±----</td> <td>±----</td> </tr> <tr> <td>3 PLACES</td> <td>±----</td> <td>±----</td> </tr> <tr> <td>2 PLACES</td> <td>±----</td> <td>±----</td> </tr> <tr> <td>1 PLACE</td> <td>±----</td> <td>±----</td> </tr> </tbody> </table> ANGULAR ±---°		mm	INCH	4 PLACES	±----	±----	3 PLACES	±----	±----	2 PLACES	±----	±----	1 PLACE	±----	±----	DIMENSION STYLE IN/MM DRAWN BY: BENDERLE DATE: 2005/02/03 CHECKED BY: R DEROSS DATE: 2005/02/03 APPROVED BY: R DEROSS DATE: 2005/02/03 MATERIAL NO.	SCALE: INCH DESIGN UNITS: INCH THIRD ANGLE PROJECTION	TITLE: RING TONGUE TERMINAL 8 AWG, VERSAKRIMP D-352 TONGUE MOLEX INCORPORATED DOCUMENT NO. SD-19193-036 SHEET NO. 1 OF 1
		mm	INCH																	
	4 PLACES	±----	±----																	
	3 PLACES	±----	±----																	
2 PLACES	±----	±----																		
1 PLACE	±----	±----																		
DRAFT WHERE APPLICABLE MUST REMAIN WITHIN DIMENSIONS		SEE CHART	THIS DRAWING CONTAINS INFORMATION THAT IS PROPRIETARY TO MOLEX INCORPORATED AND SHOULD NOT BE USED WITHOUT WRITTEN PERMISSION																	
		SIZE: B																		