



CONCEALED HINGE



Version 1 & 2*



Version 3 & 4

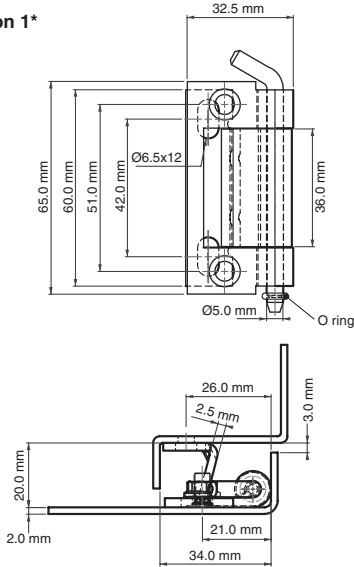
Specifications

- Material: Steel
- Finish: Zinc plated

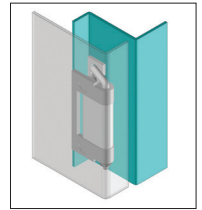
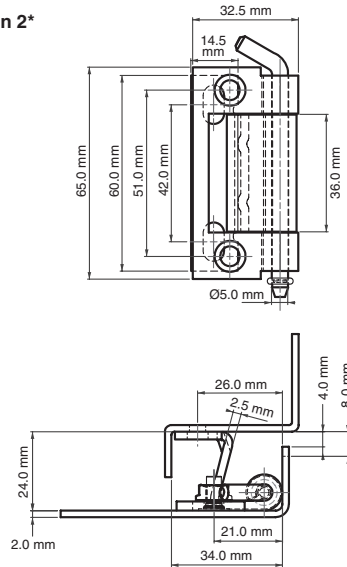
Features

- For doors with a bend of between 20 mm and 24 mm*
- Frame part screwed on, door part welded on
- Suitable for left-hand and right-hand application
- Applications: Electric panels, machinery covers

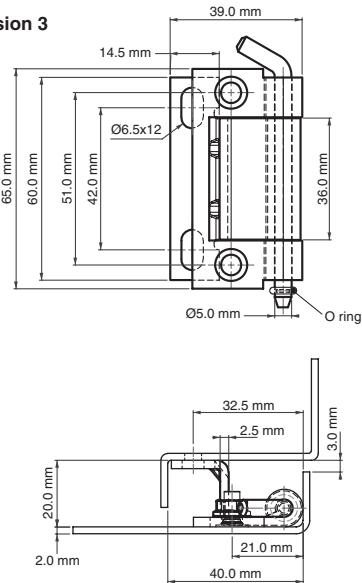
Version 1*



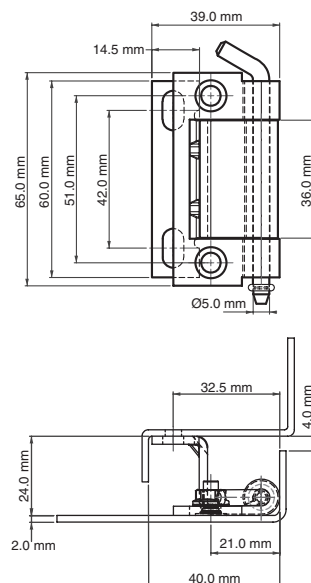
Version 2*



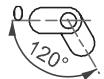
Version 3



Version 4



Hinge Rotation Angle



Item Number	Hinge Rotation	Material	Finish	Version
395631	120°	Steel	Zinc	1
395632	120°	Steel	Zinc	2
395633	120°	Steel	Zinc	3
395634	120°	Steel	Zinc	4

Note: Bolts are not supplied